



BOSCH

Rotary hammer 2 kg

GBH 2-26 D/DF | 3 611 BA3 010

Table of Content

Spare parts list.....	2
Illustration - Type.....	5

Illustration - Type - E

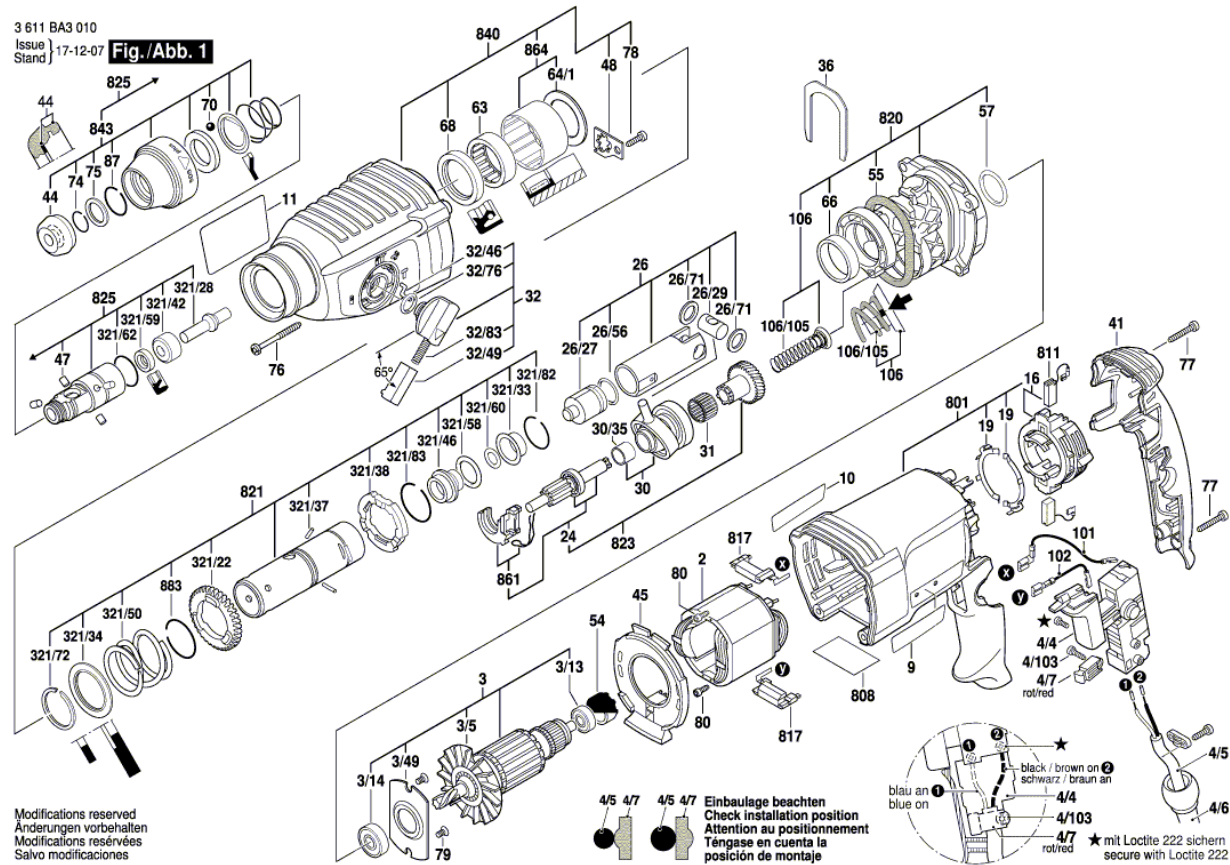
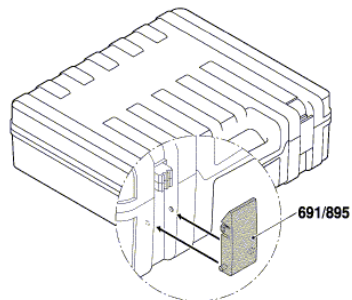
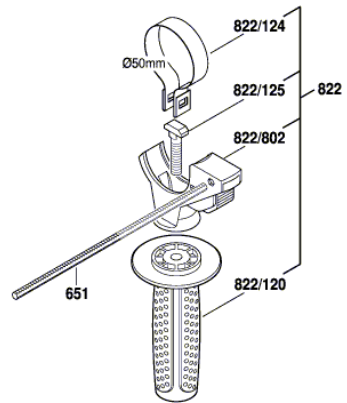


Illustration - Type - E

3 611 BA3 010
Issue | 17-12-12
Stand } **Fig./Abb. 2**



Modifications reserved
Änderungen vorbehalten
Modifications réservées
Salvo modificaciones