

Rotary Hammer - 0 611 228 703 - GBH 2-24 DSR

www.powertools-aftersaleservice.com



BOSCH

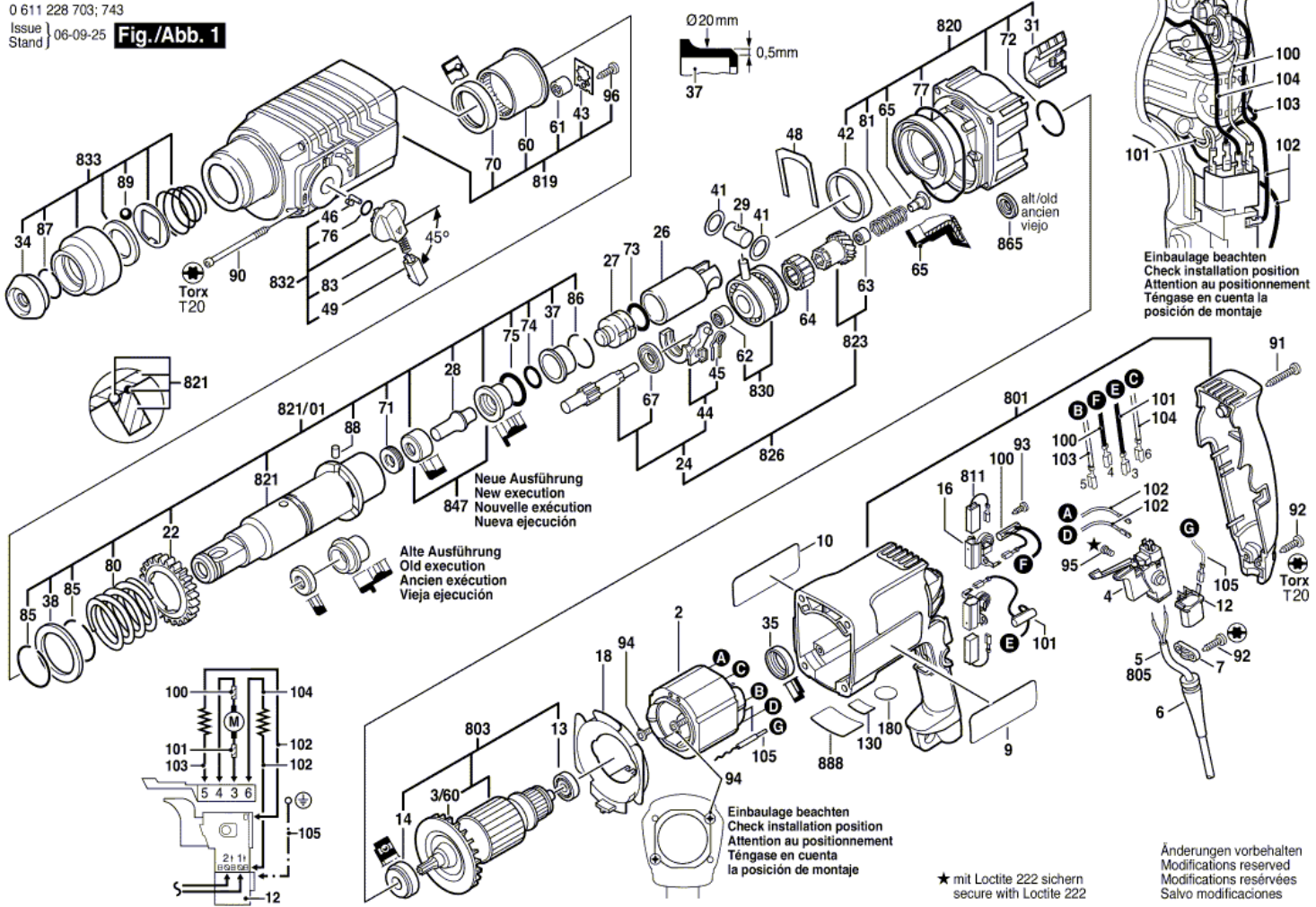
Item	Part Number	Description	Illustration	Price	Quantity	Price Group
2	1 614 220 172	Field 220-230V	1	-,-	1	30
3/60	1 616 610 095	Fan GRAY	1	-,-	1	12
4	1 617 200 077	Switch BLACK	1	-,-	1	34
6	2 600 703 018	Grommet Ø7,3-Ø8,6x76 MM	1	-,-	1	13
7	1 611 035 005	Cable Clip	1	-,-	1	12
9	1 611 110 X36	Manufacturer's nameplate	1	-,-	1	12
10	1 611 110 569	Reference Plate	1	-,-	1	12
12	1 617 328 026	Suppression Filter	1	-,-	1	20
13	1 610 905 025	groove ball bearing 7x19x6	1	-,-	1	19
14	1 610 905 048	groove ball bearing 9x24x7	1	-,-	1	21
16	1 617 000 343	Brush Holder	1	-,-	2	23
18	1 610 522 009	Air-Deflector Ring	1	-,-	1	10
22	1 616 317 602	Cylindrical Gear Z=50	1	-,-	1	24
24	1 617 000 518	Toothed Shaft Z=3/9	1	-,-	1	36
26	1 618 700 062	Hammer Piston	1	-,-	1	26
27	1 618 710 057	Striker	1	-,-	1	27
28	1 613 124 040	Striker Pin	1	-,-	1	17
29	1 613 105 012	Piston Pin	1	-,-	1	15
31	1 615 510 003	Protective Grille	1	-,-	1	13
34	1 610 508 008	Protective Cap L=17 MM, SDS-PLUS	1	-,-	1	12
35	1 610 206 021	Rubber Ring	1	-,-	1	11
37	1 610 390 017	Damping Bushing	1	-,-	1	17
38	1 610 102 026	Supporting Disc	1	-,-	1	13
41	1 610 101 011	Shim washer 1,2 MM THICK	1	-,-	2	11
42	1 610 202 015	Plain bearing	1	-,-	1	14
43	1 611 098 005	Tab Washer	1	-,-	1	14
44	1 615 820 092	Switching Element	1	-,-	1	13
45	1 614 651 014	Switch Spring	1	-,-	1	11
46	1 614 690 002	Driver Pin	1	-,-	1	11
48	1 611 016 003	Holding Plate	1	-,-	1	12
49	1 612 026 035	Switch Button RED	1	-,-	1	11
60	1 610 910 073	Needle-Roller Bearing	1	-,-	1	23
61	1 610 910 098	Needle bearing	1	-,-	1	15

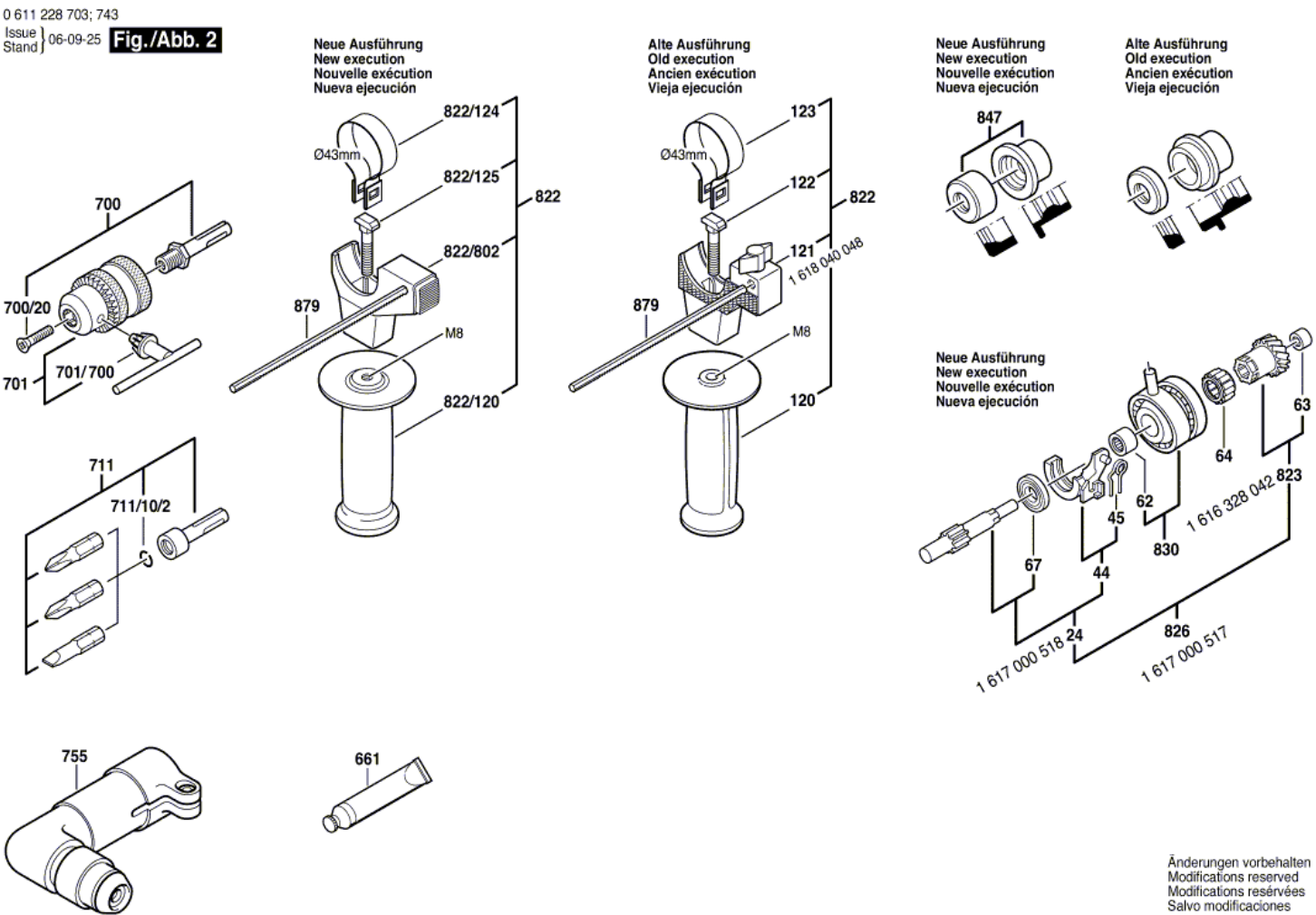
Item	Part Number	Description	Illustration	Price	Quantity	Price Group
62	1 610 910 074	Needle bearing	1	-,-	1	15
63	1 610 910 064	Needle bearing	1	-,-	1	14
64	1 610 913 010	Needle-Roller Assembly	1	-,-	1	16
65	1 610 591 016	Plain bearing	1	-,-	1	14
67	1 610 905 016	groove ball bearing	1	-,-	1	22
70	1 610 283 019	Shaft Seal	1	-,-	1	20
71	1 610 290 029	Scraper	1	-,-	1	13
72	1 610 210 068	O-Ring 24,0x2,5 MM	1	-,-	1	11
73	1 610 210 187	O-Ring	1	-,-	1	12
74	1 610 210 104	O-Ring 11,0x3,5 MM	1	-,-	1	13
75	1 610 210 105	O-Ring 18,0x3,5 MM	1	-,-	1	15
76	1 610 210 046	O-Ring 10,5x2,7 MM	1	-,-	1	11
77	1 610 210 106	O-Ring 60,0x3,0 MM	1	-,-	1	13
80	1 614 634 005	Compression Spring	1	-,-	1	11
81	1 614 611 009	Compression Spring	1	-,-	1	11
83	1 614 611 006	Compression Spring	1	-,-	1	15
85	1 614 601 011	Retaining ring	1	-,-	2	11
86	1 614 601 024	Retaining ring	1	-,-	1	11
87	2 916 540 012	Retaining ring DIN 7993-A22	1	-,-	1	14
88	1 613 200 007	Roller	1	-,-	3	11
89	1 903 230 013	Ball DIN 5401-Ø7MM-III-ST	1	-,-	1	11
90	1 603 435 036	Tapping Screw 4,8x78 MM, TORX T-20	1	-,-	4	11
91	2 603 490 026	Lens Head Screw 4x32	1	-,-	1	10
92	2 603 490 023	Torx Oval-Head Screw 4x20	1	-,-	4	10
93	2 910 211 005	Tapping Screw DIN 7971-ST2,9x9,5-F	1	-,-	4	10
94	2 603 435 015	Recessed-Head Screw DIN 7981-ST3,5x9,5-F	1	-,-	2	10
95	2 603 410 001	Socket head cap screw M3x6,5-4.8	1	-,-	2	11
96	2 912 401 018	Tapping Screw DIN7981-ST3,9x13-C-Z	1	-,-	1	10
100	2 604 465 086	Suppression Filter L=148 MM BLACK	1	-,-	1	18
101	2 604 465 097	Suppression Filter L=126 MM WHITE	1	-,-	1	18
102	2 604 448 005	Cable L=130 MM WHITE	1	-,-	2	11
103	1 614 448 017	Connecting Cable L=55 MM WHITE	1	-,-	1	12
104	2 604 448 137	Connecting Cable L=78 MM WHITE	1	-,-	1	11
105	1 614 449 010	Earth Conductor	1	-,-	1	13
130	1 601 110 265	Reference Plate	1	-,-	1	15
661	1 615 430 010	Grease Tube 30 ML	2	-,-	1	18
700	1 617 000 154	Drill Chuck Shank 1/2"SDS-PLUS	2	-,-	1	33
700/20	2 603 421 226	Countersunk-Head Screw M6x27 LEFTHAND THREADS	2	-,-	1	11
701	1 608 571 088	Chuck	2	-,-	1	32
701/700	2 607 950 007	Chuck Wrench SG2	2	-,-	1	19
711	1 617 000 133	Parts Set	2	-,-	1	-
711/10/2	2 604 601 004	Retaining ring	2	-,-	1	11
755	1 618 580 000	Angle Drill Head SDS-PLUS	2	-,-	1	-
801	1 617 000 477	Motor Housing	1	-,-	1	28
803	1 614 010 227	Armature With Fan 220-230V	1	-,-	1	41
805	1 614 460 026	Power supply cord EU 4,15m 2 x 1,0mm H07 RN-F	1	-,-	1	28
811	1 617 014 134	Carbon-Brush Set	1	-,-	1	21
811	1 607 000 490	Carbon-Brush Set 10 x 1 617 014 134	1	-,-	1	39
819	1 615 806 093	Gear Housing BLACK	1	-,-	1	38
820	1 617 000 981	Intermediate Flange	1	-,-	1	32
821	1 616 490 061	Ratchet Sleeve SDS-PLUS	1	-,-	1	40
821/01	1 616 490 060	Ratchet Sleeve SDS-PLUS	1	-,-	1	43

Item	Part Number	Description	Illustration	Price	Quantity	Price Group
822	2 602 025 118	Auxiliary Handle Ø43 MM	2	-,-	1	26
822/120	1 612 025 019	Auxiliary Handle M8	2	-,-	1	19
822/124	1 611 316 006	Clamping Band Ø43 MM	2	-,-	1	13
822/125	1 613 490 002	T-Head Bolt M8x40 MM	2	-,-	1	14
822/802	2 608 040 176	Support clamp Ø43 MM	2	-,-	1	19
823	1 616 328 042	Gear Sleeve Z=26/6	1	-,-	1	36
826	1 617 000 517	Toothed Shaft Z=3/9	1	-,-	1	43
830	1 615 819 018	Drive bearing	1	-,-	1	40
832	1 612 026 037	Clamp Handle BLACK	1	-,-	1	24
833	1 617 000 163	Protection Sleeve SDS-PLUS	1	-,-	1	20
847	1 617 000 348	Guide Ring	1	-,-	1	26
879	1 613 001 009	Depth-Gauge SW 6x210 MM	2	-,-	1	15
888	1 601 11A 3H5	Nameplate	1	-,-	1	13

0 611 228 703; 743
 Issue | 06-09-25
 Stand |

Fig./Abb. 1





Information subject to change without further notice.