

Universal Rotary Hammer - 0 611 218 034 - GBH 2-24...

www.powertools-aftersaleservice.com



BOSCH

| Item | Part Number | Description | Illustration | Price | Quantity | Price Group |
|------|---------------|---|--------------|-------|----------|-------------|
| 2 | 1 614 220 105 | Field 100-120V | 1 | -,- | 1 | 31 |
| 3/60 | 1 616 610 072 | Fan BLACK | 1 | -,- | 1 | 12 |
| 4 | 1 617 200 082 | Switch | 1 | -,- | 1 | 29 |
| 5 | 2 604 460 249 | Power supply cord SAM 2,7m 2 x 0,82mm SJ 18/2 | 1 | -,- | 1 | 27 |
| 6 | 2 600 703 017 | Grommet Ø6,4-Ø7,2x76 MM | 1 | -,- | 1 | 13 |
| 6 | 2 600 703 018 | Grommet Ø7,3-Ø8,6x76 MM | 1 | -,- | 1 | 13 |
| 6 | 2 600 703 019 | Grommet Ø8,7-Ø9,6x76 MM | 1 | -,- | 1 | 13 |
| 7 | 1 611 035 005 | Cable Clip | 1 | -,- | 1 | 11 |
| 9 | 1 611 110 560 | Manufacturer's nameplate | 1 | -,- | 1 | - |
| 10 | 1 611 110 561 | Manufacturer's nameplate | 1 | -,- | 1 | 15 |
| 13 | 2 600 905 032 | Deep-Groove Ball Bearing 7x19x6 | 1 | -,- | 1 | 17 |
| 14 | 1 610 905 048 | Deep-Groove Ball Bearing 9x24x7 | 1 | -,- | 1 | 21 |
| 16 | 2 604 337 016 | Brush Holder | 1 | -,- | 2 | 11 |
| 17 | 1 615 132 089 | Housing Cover | 1 | -,- | 1 | 19 |
| 18 | 1 610 522 009 | Air-Deflector Ring | 1 | -,- | 1 | 11 |
| 22 | 1 616 317 602 | Cylindrical Gear Z=50 | 1 | -,- | 1 | 24 |
| 24 | 1 617 000 518 | Toothed Shaft Z=3/9 | 1 | -,- | 1 | 36 |
| 26 | 1 618 700 062 | Hammer Piston | 1 | -,- | 1 | 26 |
| 27 | 1 618 710 057 | Striker | 1 | -,- | 1 | 27 |
| 28 | 1 613 124 040 | Striker Pin | 1 | -,- | 1 | 17 |
| 29 | 1 613 105 012 | Piston Pin | 1 | -,- | 1 | 15 |
| 31 | 1 615 510 003 | Protective Grille | 1 | -,- | 1 | 13 |
| 34 | 1 610 508 008 | Protective Cap L=17 MM, SDS-PLUS | 1 | -,- | 1 | 12 |
| 35 | 1 610 206 021 | Rubber Ring | 1 | -,- | 1 | 11 |
| 37 | 1 610 390 017 | Damping Bushing | 1 | -,- | 1 | 17 |
| 38 | 1 610 102 026 | Supporting Disc | 1 | -,- | 1 | 13 |
| 41 | 1 610 101 011 | Shim washer 1,2 MM THICK | 1 | -,- | 2 | 11 |
| 42 | 1 610 202 015 | Plain bearing | 1 | -,- | 1 | 14 |
| 43 | 1 611 098 005 | Tab Washer | 1 | -,- | 1 | 14 |
| 44 | 1 615 820 092 | Switching Element | 1 | -,- | 1 | 13 |
| 45 | 1 614 651 014 | Switch Spring | 1 | -,- | 1 | 11 |
| 46 | 1 614 690 002 | Driver Pin | 1 | -,- | 1 | 11 |
| 48 | 1 611 016 003 | Holding Plate | 1 | -,- | 1 | 12 |

| Item | Part Number | Description | Illustration | Price | Quantity | Price Group |
|----------|---------------|---|--------------|-------|----------|-------------|
| 49 | 1 612 026 035 | Switch Button RED | 1 | -,- | 1 | 11 |
| 60 | 1 610 910 073 | Needle-Roller Bearing | 1 | -,- | 1 | 23 |
| 61 | 1 610 910 098 | Needle bearing | 1 | -,- | 1 | 15 |
| 62 | 1 610 910 074 | Needle bearing | 1 | -,- | 1 | 15 |
| 63 | 1 610 910 064 | Needle bearing | 1 | -,- | 1 | 14 |
| 64 | 1 610 913 010 | Needle-Roller Assembly | 1 | -,- | 1 | 16 |
| 65 | 1 610 591 016 | Plain bearing | 1 | -,- | 1 | 13 |
| 67 | 1 610 905 016 | Deep-Groove Ball Bearing | 1 | -,- | 1 | 22 |
| 70 | 1 610 283 019 | Shaft Seal | 1 | -,- | 1 | 20 |
| 71 | 1 610 290 029 | Scraper | 1 | -,- | 1 | 13 |
| 72 | 1 610 210 068 | O-Ring 24,0x2,5 MM | 1 | -,- | 1 | 11 |
| 73 | 1 610 210 187 | O-Ring | 1 | -,- | 1 | 12 |
| 74 | 1 610 210 104 | O-Ring 11,0x3,5 MM | 1 | -,- | 1 | 13 |
| 75 | 1 610 210 105 | O-Ring 18,0x3,5 MM | 1 | -,- | 1 | 13 |
| 76 | 1 610 210 046 | O-Ring 10,5x2,7 MM | 1 | -,- | 1 | 11 |
| 77 | 1 610 210 106 | O-Ring 60,0x3,0 MM | 1 | -,- | 1 | 13 |
| 80 | 1 614 634 005 | Compression Spring | 1 | -,- | 1 | 11 |
| 81 | 1 614 611 009 | Compression Spring | 1 | -,- | 1 | 11 |
| 83 | 1 614 611 006 | Compression Spring | 1 | -,- | 1 | 15 |
| 85 | 1 614 601 011 | Retaining ring | 1 | -,- | 2 | 11 |
| 86 | 1 614 601 024 | Retaining ring | 1 | -,- | 1 | 11 |
| 87 | 2 916 540 012 | Retaining ring DIN 7993-A22 | 1 | -,- | 1 | 13 |
| 88 | 1 613 200 007 | Roller | 1 | -,- | 3 | 11 |
| 89 | 1 903 230 013 | Ball DIN 5401-Ø7MM-III-ST | 1 | -,- | 1 | 10 |
| 90 | 1 603 435 036 | Tapping Screw 4,8x78 MM, TORX T-20 | 1 | -,- | 4 | 11 |
| 90 | 1 603 435 019 | Tapping Screw BZ 4,8x78 MM | 1 | -,- | 4 | 11 |
| 91 | 1 603 435 051 | Tapping Screw ST3,9x32 SILVER | 1 | -,- | 1 | 11 |
| 92 | 2 912 401 020 | Tapping Screw DIN 7981-3,9x19-C-Z-ST | 1 | -,- | 4 | 10 |
| 93 | 2 910 211 005 | Tapping Screw DIN 7971-ST2,9x9,5-F | 1 | -,- | 4 | 10 |
| 94 | 2 603 435 015 | Recessed-Head Screw DIN 7981-ST3,5x9,5-F | 1 | -,- | 2 | 11 |
| 95 | 2 603 410 001 | Socket head cap screw M3x6,5-4.8 | 1 | -,- | 2 | 11 |
| 96 | 2 912 401 018 | Tapping Screw DIN7981-ST3,9x13-C-Z | 1 | -,- | 1 | 10 |
| 101 | 1 614 448 017 | Connecting Cable L=55 MM WHITE | 1 | -,- | 2 | 12 |
| 102 | 2 604 448 005 | Cable L=130 MM WHITE | 1 | -,- | 2 | 11 |
| 120 | 1 612 025 019 | Auxiliary Handle M8 | 2 | -,- | 1 | 19 |
| 121 | 1 618 040 048 | index turning toolholder Ø43 MM | 2 | -,- | 1 | 21 |
| 122 | 1 613 490 002 | T-Head Bolt M8x40 MM | 2 | -,- | 1 | 13 |
| 123 | 1 611 316 006 | Clamping Band Ø43 MM | 2 | -,- | 1 | 13 |
| 130 | 1 601 110 449 | Nameplate CAUTION | 1 | -,- | 1 | 11 |
| 700 | 1 617 000 154 | Drill Chuck Shank 1/2"SDS-PLUS | 2 | -,- | 1 | 31 |
| 700/20 | 2 603 421 226 | Countersunk-Head Screw M6x27 LEFTHAND THREADS | 2 | -,- | 1 | 11 |
| 701 | 1 608 571 088 | Chuck | 2 | -,- | 1 | 32 |
| 701/700 | 2 607 950 007 | Chuck Wrench SG2 | 2 | -,- | 1 | 18 |
| 711 | 1 617 000 133 | Parts Set | 2 | -,- | 1 | - |
| 711/10/2 | 2 604 601 004 | Retaining ring | 2 | -,- | 1 | 11 |
| 720 | 2 602 025 070 | Auxiliary Handle Ø43 MM | 2 | -,- | 1 | 26 |
| 724 | 1 613 001 009 | Depth-Gauge SW 6x210 MM | 2 | -,- | 1 | 15 |
| 750 | 2 605 438 294 | Carrying Case | 2 | -,- | 1 | - |
| 755 | 1 618 580 000 | Angle Drill Head SDS-PLUS | 2 | -,- | 1 | - |
| 801 | 1 615 108 062 | Motor Housing BLUE | 1 | -,- | 1 | 31 |
| 803 | 1 614 010 229 | Armature With Fan 110-120V | 1 | -,- | 1 | 43 |
| 806 | 2 600 703 013 | Grommet Ø7,6-Ø8,2x95 MM | 1 | -,- | 1 | 13 |
| 806 | 2 600 703 011 | Grommet Ø8,3-Ø9,4x95 MM | 1 | -,- | 1 | 13 |

| Item | Part Number | Description | Illustration | Price | Quantity | Price Group |
|--------|---------------|----------------------------|--------------|-------|----------|-------------|
| 811 | 1 607 014 117 | Carbon Brush | 1 | -,- | 1 | 22 |
| 819 | 1 615 806 093 | Gear Housing BLACK | 1 | -,- | 1 | 38 |
| 820 | 1 617 000 981 | Intermediate Flange | 1 | -,- | 1 | 32 |
| 821 | 1 616 490 061 | Ratchet Sleeve SDS-PLUS | 1 | -,- | 1 | 40 |
| 821/01 | 1 616 490 060 | Ratchet Sleeve SDS-PLUS | 1 | -,- | 1 | 43 |
| 823 | 1 616 328 042 | Gear Sleeve Z=26/6 | 1 | -,- | 1 | 36 |
| 826 | 1 617 000 517 | Toothed Shaft Z=3/9 | 1 | -,- | 1 | 43 |
| 830 | 1 615 819 018 | Drive bearing | 1 | -,- | 1 | 41 |
| 832 | 1 612 026 037 | Clamp Handle BLACK | 1 | -,- | 1 | 24 |
| 833 | 1 617 000 163 | Protection Sleeve SDS-PLUS | 1 | -,- | 1 | 20 |
| 847 | 1 617 000 348 | Guide Ring | 1 | -,- | 1 | 26 |
| 865 | 1 610 920 007 | D-Groove Ball Thr Bearing | 1 | -,- | 1 | 16 |
| 888 | 1 601 106 035 | Nameplate 26x42 MM | 1 | -,- | 1 | 13 |

Illustration - Type E

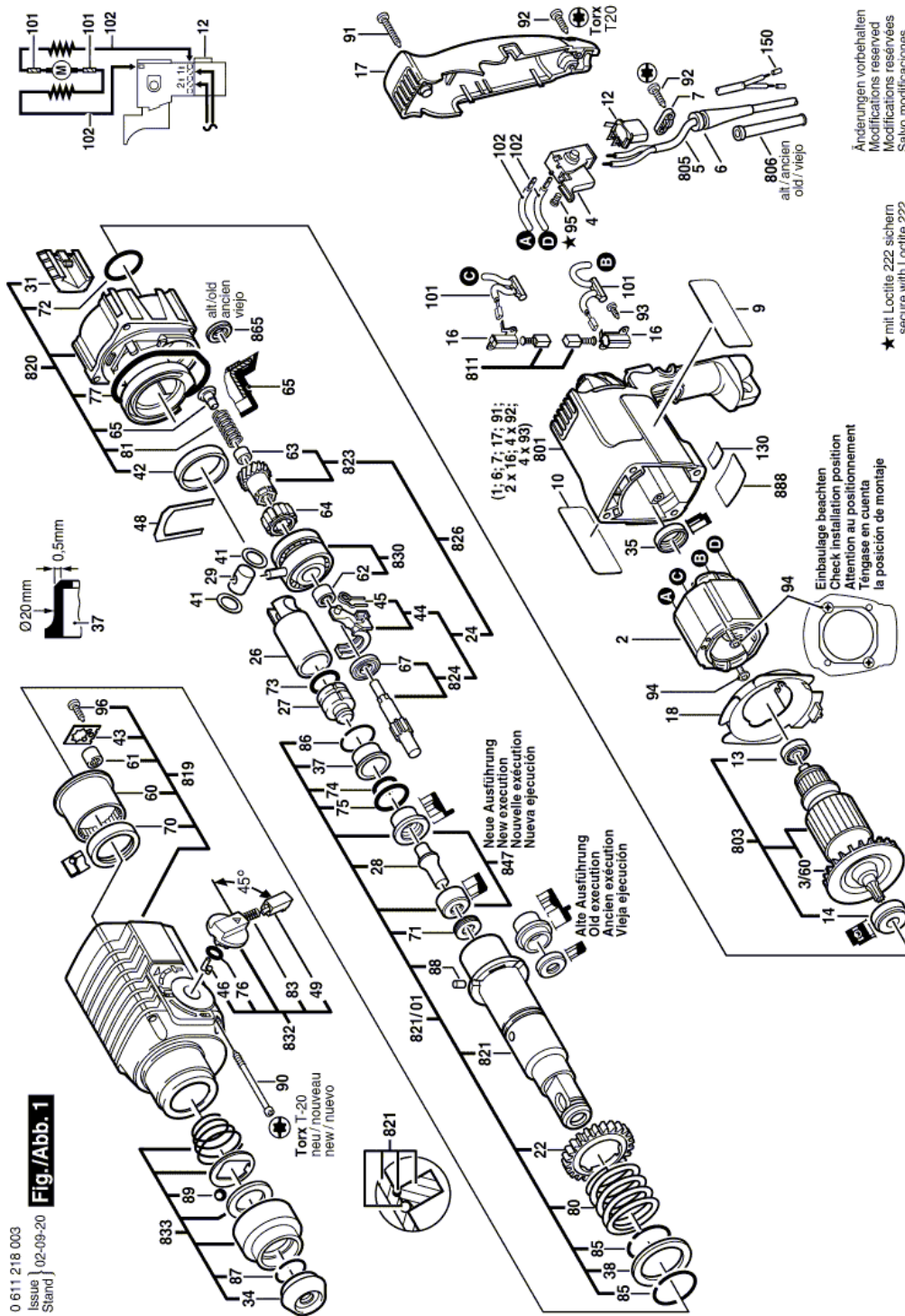
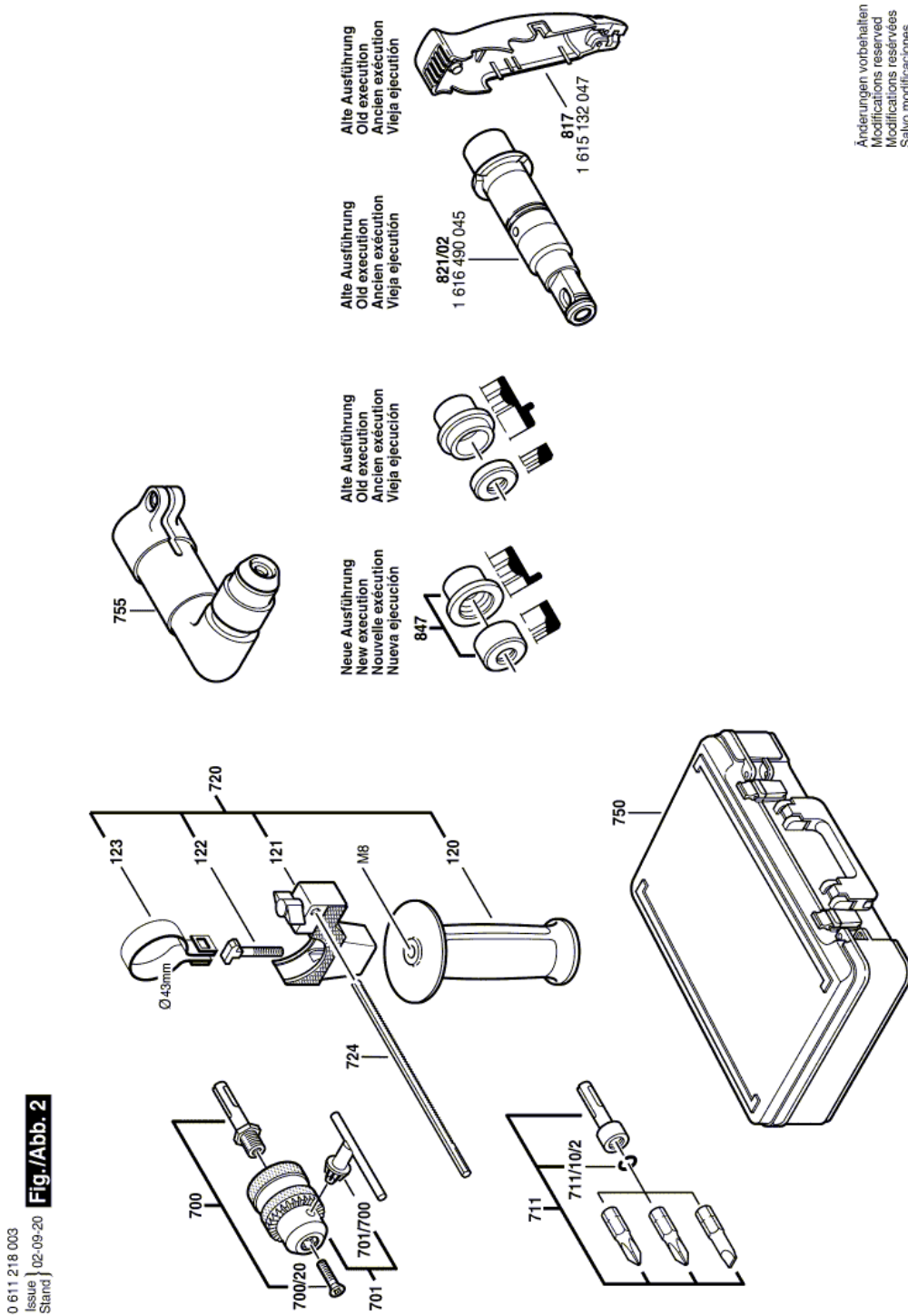


Illustration - Type E



Information subject to change without further notice.