



**BOSCH**

# Rotary Hammer

GBH 2-22 S | 0 611 250 043

---

## Table of Content

Spare parts list.....	2
Illustration - Type.....	5

Spare parts list

Item	Part Number	Description
2	2 604 220 683	Field 220-230V
4	1 607 200 267	Switch
5	1 619 P90 256	Power supply cord
6	2 600 703 018	Grommet Ø7,3-Ø8,6x76 MM
9	1 611 110 A96	Manufacturer's nameplate
10	1 611 110 A79	Reference Plate
16	1 614 336 058	Brush Plate
17	1 614 465 011	Suppression Filter
21	1 619 P90 228	Ratchet Sleeve
22	1 616 312 003	Cylindrical Gear
26	1 617 000 534	Hammer Piston
26/1	1 618 700 075	Hammer Piston
27	1 618 710 080	Striker
28	1 613 124 077	Striker Pin Ø7,5 MM
29	1 613 105 012	Piston Pin
34	1 610 190 067	Supporting Disc
36	1 601 329 040	Tensioning Bracket
38	1 610 190 045	Catch Disk
41	1 619 P01 027	Housing Cover BLUE
42	1 610 422 017	Backup ring
44	1 610 508 047	Protective Cap
45	1 610 522 012	Air-Deflector Ring
48	1 601 021 005	Shift Plate
49	1 615 700 044	End Shield
50	1 604 611 037	Compression Spring
54	1 610 502 012	Rubber Bushing
55	1 610 290 079	Seal Ring 53,0x7,0 MM
56	1 616 B00 086	O-Ring
57	1 610 210 068	O-Ring 24,0x2,5 MM
59	1 610 210 177	O-Ring 9,0x2,0 MM
64	1 619 P09 954	Plain bearing
65	1 600 900 037	groove ball bearing
66	1 610 202 020	Plain bearing
67	1 610 913 019	Needle bearing Ø7 MM
68	1 610 283 017	Rotary shaft lip seal

Spare parts list

Item	Part Number	Description
70	1 903 230 013	Ball    DIN 5401-Ø7MM-III-ST
71	1 610 101 011	Shim washer    1,2 MM    THICK
72	1 604 601 027	Retaining ring
73	1 614 601 057	Retaining ring
74	1 614 601 027	Retaining ring
75	1 610 101 629	Retaining Washer
76	1 603 430 00A	Thread-forming tap. Screw
77	1 619 P00 106	Screw
78	2 603 490 022	Screw    4x16
79	1 613 435 023	Thread-forming tap. Screw
87	2 916 540 012	Retaining ring    DIN 7993-A22
94	1 610 205 010	Felt Seal
96	1 612 026 035	Switch Button    RED
97	1 903 201 118	Needle Roller
98	1 610 210 046	O-Ring    10,5x2,7 MM
99	1 614 611 006	Compression Spring
101	1 614 449 014	Connecting Cable
102	1 614 449 015	Connecting Cable
190	1 611 110 X81	Manufacturer's nameplate
801	1 617 000 536	Motor Housing    BLUE
803	1 617 000 524	Armature With Fan    220-230V
808	1 601 11A 3H5	Nameplate
811	1 617 000 525	Carbon-Brush Set
813	1 610 905 025	groove ball bearing    7x19x6
814	1 610 905 048	groove ball bearing    9x24x7
820	1 617 000 526	Intermediate Flange
821	1 617 000 578	Ratchet Sleeve    Ø7,5 MM    SDS-PLUS
824	1 617 000 892	Toothed Shaft
832	1 617 000 529	Guide Sleeve
835	1 616 610 093	Fan
840	1 617 000 530	Gear Housing    BLACK
843	1 617 000 531	Protection Sleeve    BLACK
846	1 612 026 097	Clamp Handle    BLACK
880	2 603 435 015	Cross Recessed-Head Screw    DIN 7981-ST3,5x9,5-F

Spare parts list

Item	Part Number	Description
651	1 613 001 009	Depth-Gauge SW 6x210 MM
691/895	1 615 438 409	Lock for 1 615 438 486+...358+...367
691/895	1 615 438 431	Lock for 1 615 438 429 + 1 615 438 430
822	2 602 025 118	Auxiliary Handle Ø43 MM
822/120	1 612 025 019	Auxiliary Handle M8
822/124	1 611 316 006	Clamping Band Ø43 MM
822/125	1 613 490 002	T-Head Bolt M8x40 MM
822/802	2 608 040 176	Support clamp Ø43 MM
870	1 617 000 154	Drill Chuck Shank 1/2" SDS-PLUS
870/2	2 603 421 207	Countersunk-Head Screw M6x27-KØ11 LEFTHAND THREADS
871	1 608 571 088	Chuck
872	2 607 950 007	Chuck Wrench SG2

Illustration - Type - E

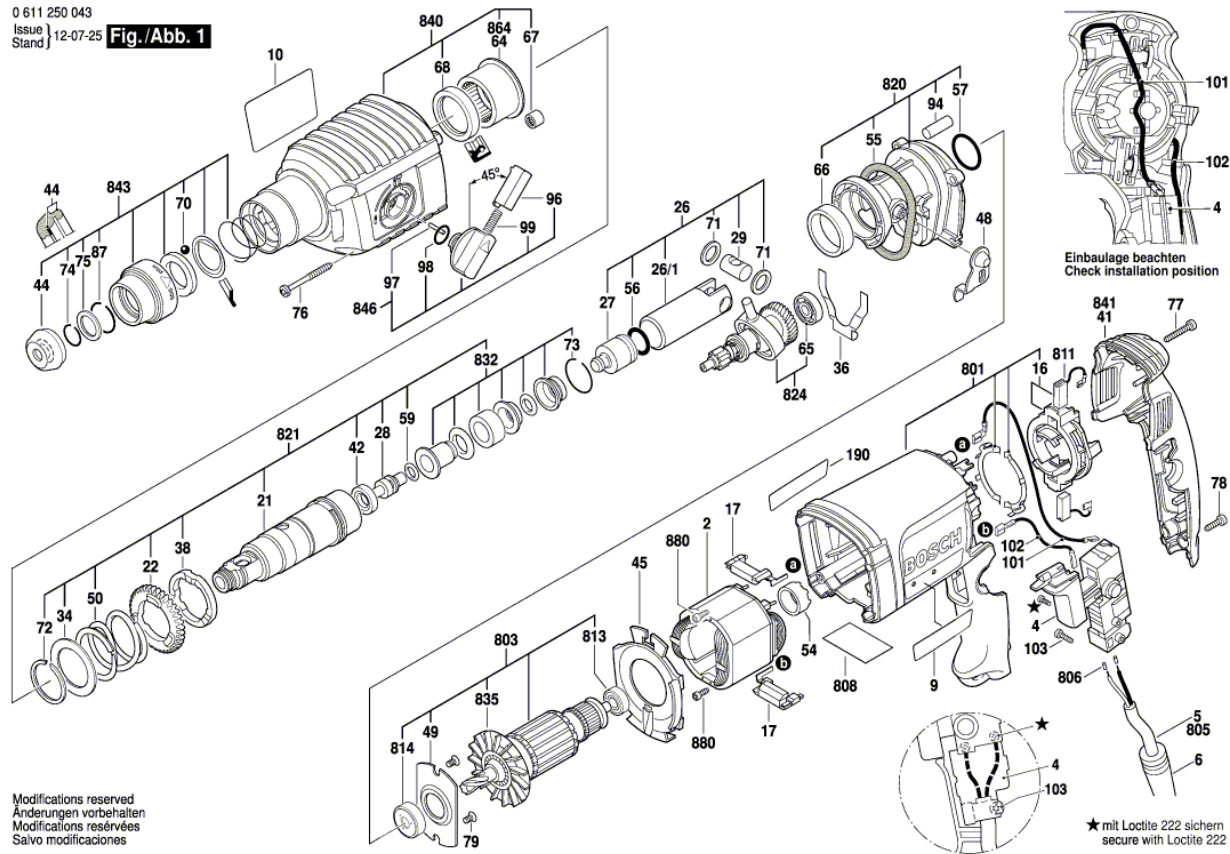
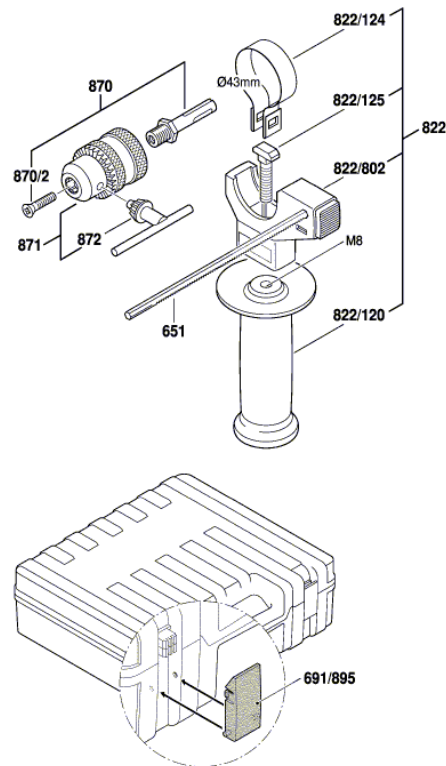


Illustration - Type - E

0 611 250 043  
Issue  
Stand | 12-07-25 **Fig./Abb. 2**



Modifications reserved  
Änderungen vorbehalten  
Modifications réservées  
Salvo modificaciones