



BOSCH

Rotary Hammer

GBH 2-20 S | 0 611 234 043

Table of Content

Spare parts list.....	2
Illustration - Type.....	5

Spare parts list

Item	Part Number	Description
1	1 615 108 112	Motor Housing BLUE
3/50	1 616 610 072	Fan BLACK
4	1 617 200 047	On-Off Switch
5	1 614 460 090	Power supply cord CN 4,15m 2 x 1,0mm H07 RN-F
6	2 600 703 018	Grommet Ø7,3-Ø8,6x76 MM
7	1 611 035 005	Cable Clip
10	1 611 110 X07	Manufacturer's nameplate
12	1 617 328 025	Suppression Filter
13	1 617 000 343	Brush Holder
14	1 614 465 008	Suppression Filter L=55 MM WHITE
17	1 615 132 065	Housing Cover BLUE
18	1 610 522 008	Air-Deflector Ring
20	1 615 700 037	Intermediate Flange
21	1 616 490 058	Ratchet Sleeve SDS-PLUS
22	1 616 320 007	Cylindrical Gear Z=46
23	1 616 320 002	Cylindrical Gear Z=6/21
24	1 613 060 010	Toothed Shaft Z=6/10
26	1 618 700 052	Hammer Piston
28	1 613 124 026	Striker Pin
29	1 613 105 012	Piston Pin
30	1 615 819 005	Drive bearing
31	1 610 100 003	Support Disc 0,8 MM THICK
32	1 612 026 023	Clamp Handle BLACK
34	1 610 508 008	Protective Cap L=17 MM, SDS-PLUS
35	1 610 206 021	Rubber Ring
37	1 610 390 011	Damping Bushing
38	1 610 102 022	Supporting Disc
39	1 613 100 013	Straight Pin
40	1 614 690 001	Holding Spring
41	1 610 920 003	Roller-Cage Assembly
44	1 614 633 001	Compression Spring
45	1 614 614 001	Compression Spring
49	2 604 448 005	Cable L=130 MM WHITE
54	1 610 210 068	O-Ring 24,0x2,5 MM

Spare parts list

Item	Part Number	Description
55	1 610 206 023	Seal Ring
56	1 610 210 070	O-Ring 14,0x3,0 MM
58	1 610 210 058	O-Ring 18,0x3,0 MM
59	1 610 210 069	O-Ring 6,0x2,5 MM
60	1 610 210 073	O-Ring 10,0x3,5 MM
61	1 610 283 017	Rotary shaft lip seal
62	1 619 P00 206	Nameplate
65	1 900 900 228	groove ball bearing 8x22x7
66	1 610 301 000	Bushing Ø30xØ37x15,7 MM
67	1 610 910 064	Needle bearing
70	1 903 230 013	Ball DIN 5401-Ø7MM-III-ST
71	1 610 101 011	Shim washer 1,2 MM THICK
72	2 916 540 018	Retaining ring DIN 7993-A32
73	1 614 601 009	Retaining ring DIN 9045-24
76	1 619 P00 027	Torx Oval-Head Screw
77	1 619 P00 106	Screw
78	1 619 P00 105	Torx Oval-Head Screw 4x20
79	1 619 P00 220	Torx Oval-Head Screw 3x10
80	1 613 435 007	Thread-forming tap. Screw DIN 7981-ST3,5x9,5-F
81	2 603 410 001	Socket head cap screw M3x6,5-4.8
83	1 903 230 309	Ball 5 MM V DIN 5401
87	2 916 540 012	Retaining ring DIN 7993-A22
94	1 613 120 017	Detent Pin
180	1 619 P00 002	Sticker
802	2 604 220 429	Field 220-230V
803	1 614 010 052	Armature With Fan 220-240V
808	1 619 P00 585	Nameplate
813	1 617 014 127	Carbon-Brush Set
816	1 615 806 077	Gear Housing BLACK
821	1 617 000 812	Ratchet Sleeve SDS-PLUS
827	1 617 000 338	Striker
833	1 617 000 163	Protection Sleeve SDS-PLUS
863	1 610 905 048	groove ball bearing 9x24x7
864	1 610 905 025	groove ball bearing 7x19x6

Spare parts list

Item	Part Number	Description
899	1 617 000 353	Impact Mechanism
700	1 617 000 154	Drill Chuck Shank 1/2" SDS-PLUS
700/20	2 603 421 226	Countersunk-Head Screw LEFTHAND THREADS M6x27
701	1 608 571 069	Chuck Ø1,5-13 MM, 1/2"
701/700	2 607 950 007	Chuck Wrench SG2
711	1 617 000 133	Parts Set
711/10/2	2 604 601 004	Retaining ring
711/20	1 608 521 004	Screwdriver Blade NR.2,1/4"
711/30	2 607 000 248	Screwdriver Bit 3 PIECE
711/40	1 608 511 020	Screwdriver Blade GR.1,0x6, 1/4"
791	1 615 438 146	Carrying Case
822	2 602 025 118	Auxiliary Handle Ø43 MM
822/120	1 612 025 019	Auxiliary Handle M8
822/124	1 611 316 006	Clamping Band Ø43 MM
822/125	1 613 490 002	T-Head Bolt M8x40 MM
822/802	2 608 040 176	Support clamp Ø43 MM
879	1 613 001 009	Depth-Gauge SW 6x210 MM

Illustration - Type - E

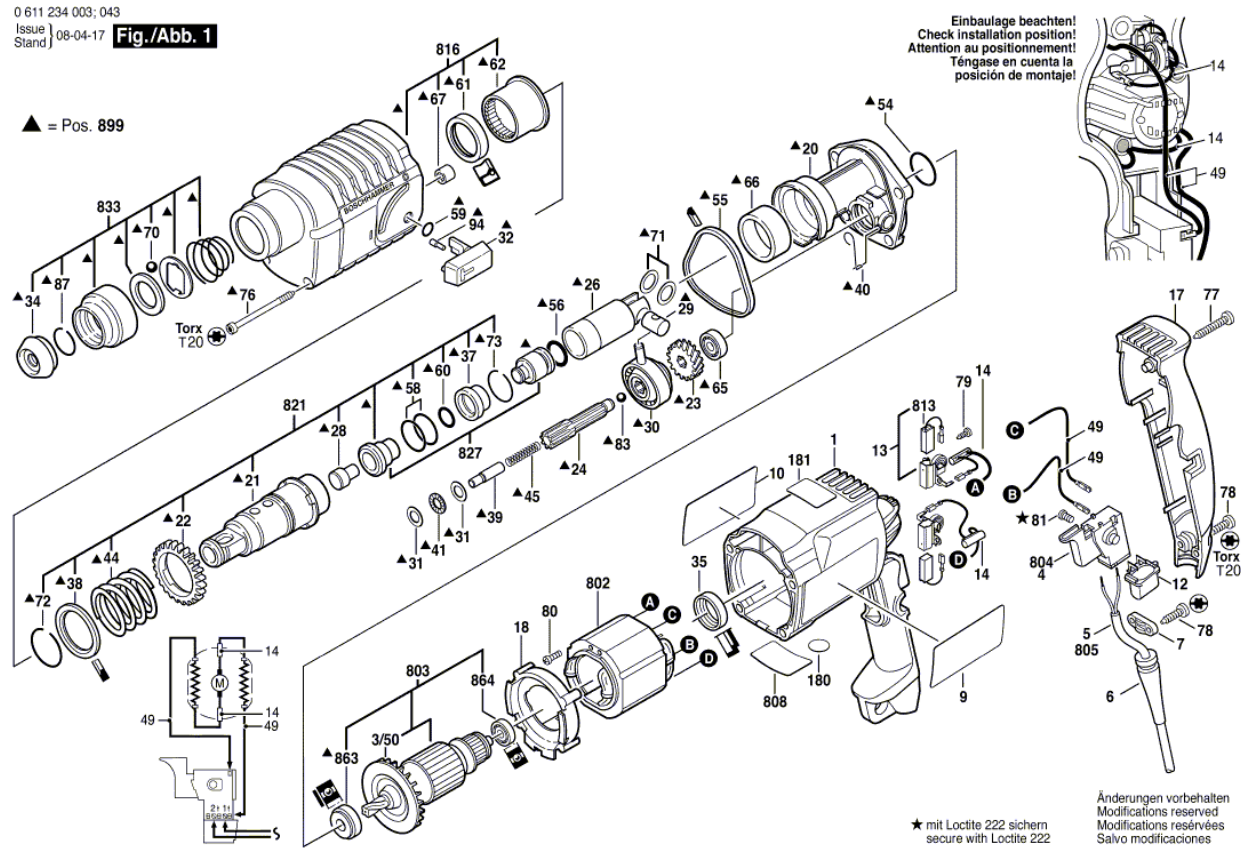


Illustration - Type - E

