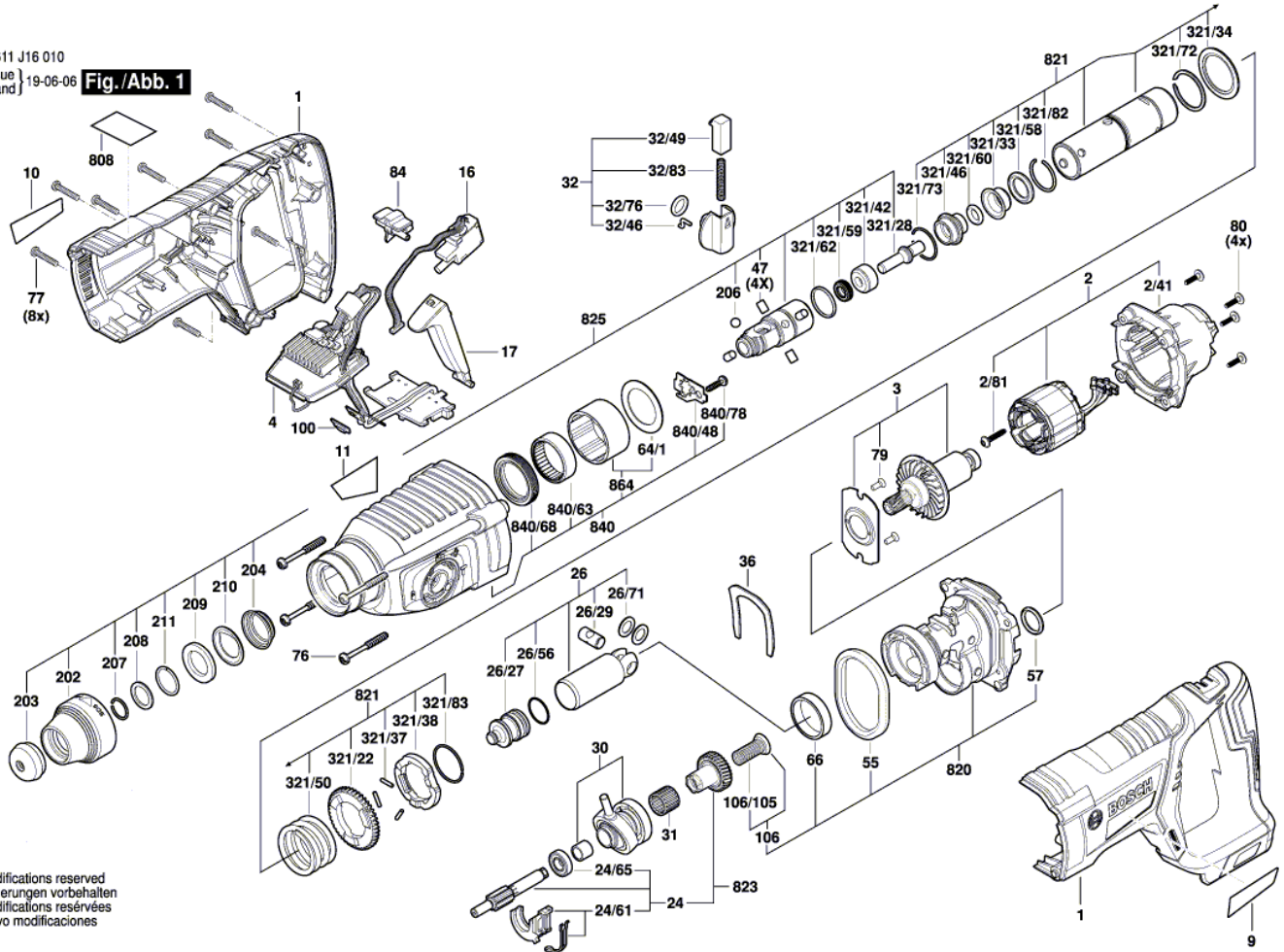




3 611 J16 010  
Issue 19-06-06  
Stand

**Fig./Abb. 1**



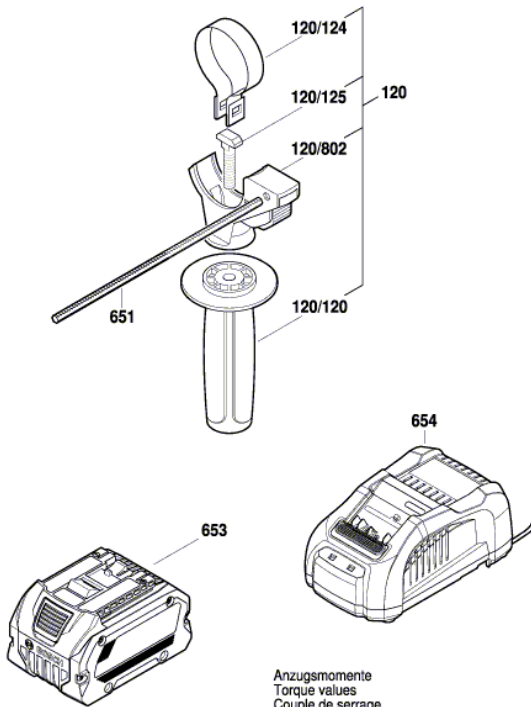
Modifications reserved  
Änderungen vorbehalten  
Modifications réservées  
Salvo modificaciones



3 611 J16 010

Issue 19-05-06  
Stand

**Fig./Abb. 2**



Anzugsmomente  
Torque values  
Couple de serrage  
Pares de apriete  
Pos. 76 = 2,8 - 3,5Nm  
77 = 2,2 - 2,6Nm  
81 = 1,2 - 1,4Nm  
78 = 2,0 - 2,5Nm  
79 = 1,5 - 2,0Nm

Ausrastmoment 28,0 - 8,0Nm  
Slipping point of clutch 28,0 - 8,0Nm  
Couple de glessement 28,0 - 8,0Nm  
Momento de desenclavamiento 28,0 - 8,0Nm

Modifications reserved  
Änderungen vorbehalten  
Modifications réservées  
Salvo modificaciones



Pos.	Part Number	Description	Pos.	Part Number	Description
1	1 605 108 2HZ		321/37	1 613 100 019	Straight Pin
2	1 600 A01 4ZC		321/38	1 600 A00 8AG	
2/41	1 600 A01 6CC		321/42	1 610 102 073	Thrust Ring
2/81	1 603 435 086		321/46	1 610 390 051	Guide Bushing
3	1 600 A01 5AA		321/50	1 614 611 020	Compression Spring
4	1 607 233 5GP		321/58	1 610 283 035	Rotary shaft lip seal
9	1 601 11C 2MY		321/59	1 610 283 035	Rotary shaft lip seal
10	1 601 11C 2MZ		321/60	1 610 210 176	O-Ring
11	1 601 11C 2L9		321/62	1 610 210 179	O-Ring
16	2 607 202 381		321/72	1 604 601 027	Retaining ring
17	1 600 A01 5T4		321/73	1 614 601 012	Retaining ring
24	1 600 A01 4E1		321/82	1 614 601 034	Retaining ring
24/61	1 615 820 097	Switching Element	321/83	1 604 601 028	Retaining ring
24/65	1 610 905 016	groove ball bearing	651	1 613 001 009	Depth-Gauge
26	1 600 A00 H7D		653	1 607 A35 0AP	
26/27	1 600 A00 733		653	1 607 A35 0CH	
26/29	1 613 105 020	Piston Pin	654	2 607 225 927	
26/56	1 610 210 187	O-Ring	654	2 607 226 257	
26/71	1 610 100 016	Guide Disc	808	1 601 11A 3H9	
30	1 600 A00 H7E		820	1 600 A01 AH5	
31	1 610 913 016	Needle-Roller Assembly	821	1 607 000 C8Z	
32	1 612 026 037	Clamp Handle	823	1 600 A01 AH6	
32/46	1 614 690 002	Driver Pin	825	1 617 000 598	Tool Holding Fixture
32/49	1 612 026 035	Switch Button	840	1 607 000 C5N	
32/76	1 610 210 046	O-Ring	840/48	1 611 098 008	Tab Washer
32/83	1 614 611 006	Compression Spring	840/63	1 610 910 063	Needle bearing
36	1 611 016 003	Holding Plate	840/68	1 610 283 036	Rotary shaft lip seal
47	1 613 100 030	Needle Roller	840/78	2 603 490 022	Torx Oval-Head Screw
55	1 610 290 226	Seal Ring	864	1 617 000 A07	
57	1 610 210 068	O-Ring			
64/1	1 610 190 060				
66	1 610 202 021	Plain bearing			
76	1 613 435 022	Thread-forming tap. Screw			
77	2 603 490 023	Lens Head Screw			
79	1 613 435 023	Thread-forming tap. Screw			
80	1 603 430 00V				
84	1 600 A01 5UH				
100	1 600 A00 0LE				
106	1 614 611 022	Plain bearing			
106/105	1 614 611 021	Compression Spring			
120	1 602 025 09X				
120/120	1 612 025 083				
120/124	1 611 316 021	Clamping Band			
120/125	1 613 490 002	T-Head Bolt			
120/802	1 617 000 475	Support clamp			
202	1 610 499 054				
203	1 610 508 047	Protective Cap			
204	1 614 643 003	Compression Spring			
206	1 903 230 013	Ball			
207	1 614 601 027	Retaining ring			
208	1 610 101 629	Retaining Washer			
209	1 610 102 025	Friction Washer			
210	1 610 190 011	Holding Plate			
211	1 604 601 02S				
321/22	1 600 A00 7JW				
321/28	1 613 124 081	Striker Pin			
321/33	1 610 590 014	Holding Jacket			
321/34	1 610 190 067				