



BOSCH

Cordless Hammer Drill

GBH18V-26D | 3 611 J16 012

Table of Content

Spare parts list.....	2
Illustration - Type.....	5

Spare parts list

Item	Part Number	Description	Illustration
1	1 605 108 2HZ	Motor Housing	1
2	1 600 A01 T3V	Stator	1
2/41	1 600 A01 6CC	Stator Casing	1
2/81	1 603 435 086	Torx head screw	1
3	1 600 A01 5AA	Rotor	1
4	1 600 A02 9LE	Electronics Module	1
9	1 601 11C 2MY	Manufacturer's nameplate	1
10	1 601 11C 2MZ	Manufacturer's nameplate	1
11	1 601 11C 2L9	Warning Plate	1
17	1 600 A01 U4C	Switch-Pawl	1
24	1 617 000 6EJ	Toothed Shaft	1
24/61	1 615 820 097	Switching Element	1
24/65	1 610 905 016	groove ball bearing	1
26	1 600 A00 H7D	Hammer Piston	1
26/27	1 600 A00 733	Striker	1
26/29	1 600 A01 TD0	Piston Pin	1
26/56	1 610 210 187	O-Ring	1
26/71	1 610 100 016	Guide Disc	1
30	1 600 A00 H7E	Drive bearing Auf Zeichnung Pos.830	1
31	1 610 913 016	Needle-Roller Assembly	1
32	1 612 026 037	Clamp Handle BLACK	1
32/46	1 614 690 002	Driver Pin	1
32/49	1 612 026 035	Switch Button RED	1
32/76	1 610 210 046	O-Ring 10,5x2,7 MM	1
32/83	1 614 611 006	Compression Spring	1
36	1 611 016 003	Holding Plate	1
55	1 610 290 226	Seal Ring 53,0x7,0 MM	1
57	1 610 210 068	O-Ring 24,0x2,5 MM	1
64/1	1 610 190 060	Supporting Disc	1
66	1 610 202 021	Plain bearing	1
76	1 613 435 022	Thread-forming tap. Screw	1
77	2 603 490 023	Torx Oval-Head Screw 4x20	1
79	1 613 435 023	Thread-forming tap. Screw	1
80	1 603 430 00V	Torx Oval-Head Screw	1
84	1 600 A01 5UH	Switch Slide	1

Cordless Hammer Drill | GBH18V-26D | 3 611 J16 012

Spare parts list

Item	Part Number	Description	Illustration
100	1 600 A00 0LE	Lens	1
106	1 614 611 022	Plain bearing	1
106/105	1 614 611 021	Compression Spring	1
202	1 600 A02 8AU	Protection Sleeve	1
203	1 610 508 047	Protective Cap	1
204	1 614 643 003	Compression Spring	1
206	1 903 230 013	Ball DIN 5401-Ø7MM-III-ST	1
207	1 614 601 027	Retaining ring	1
208	1 610 101 629	Retaining Washer	1
209	1 610 102 025	Friction Washer	1
211	1 604 601 02S	Retaining ring	1
321	1 600 A01 9EW	Ratchet Sleeve	1
321/22	1 616 312 004	Cylindrical Gear	1
321/28	1 613 124 081	Striker Pin	1
321/33	1 610 590 014	Holding Jacket	1
321/34	1 610 190 067	Supporting Disc	1
321/37	1 613 100 019	Straight Pin DIN6325-2,5x12-RIKO	1
321/38	1 600 A00 8AG	Catch Disk	1
321/42	1 610 102 073	Thrust Ring	1
321/46	1 610 390 051	Guide Bushing	1
321/50	1 614 611 020	Compression Spring	1
321/58	1 610 283 035	Rotary shaft lip seal	1
321/60	1 610 210 176	O-Ring 9,0x3,5 MM	1
321/72	1 604 601 027	Retaining ring	1
321/82	1 600 150 02R	Retaining ring	1
321/83	1 604 601 028	Retaining ring A22 DIN 7993	1
808	1 601 11A 3H9	Nameplate	1
820	1 600 A01 AH5	Intermediate Flange	1
821	1 618 597 129	Tool Holding Fixture	1
823	1 607 000 DS2	Toothed Shaft	1
828	1 600 A01 9F0	Striker Pin	1
840	1 607 000 C5N	Gear Housing	1
840/48	1 611 098 008	Tab Washer	1
840/63	1 610 910 063	Needle bearing Ø30xØ37x12 MM	1
840/68	1 610 283 036	Rotary shaft lip seal	1

Spare parts list

Item	Part Number	Description	Illustration
840/78	2 603 490 022	Screw 4x16	1
843	1 617 000 582	Protection Sleeve	1
864	1 617 000 A07	Supporting Disc	1
120	1 602 025 09X	Auxiliary Handle	2
120/120	1 602 025 09C	Auxiliary Handle	2
120/124	1 611 316 021	Clamping Band Ø50 MM	2
120/125	1 613 490 002	T-Head Bolt M8x40 MM	2
120/802	1 617 000 475	Support clamp	2
651	1 613 001 009	Depth-Gauge SW 6x210 MM	2
653	1 607 A35 0AP	Battery Pack ProCore SCM USA GBA18V40 18V 4.0Ah	2
653	1 607 A35 0CH	Battery Pack ProCore SCM GBA18V80 8.0Ah	2
654	2 607 225 927	Charger USA BC 1880 CV 13,3-18V/120V	2
654	2 607 226 257	Fast Charger USA GAL 18V-40 120V/ 4A/ 10.8-18V	2

Illustration - Type - E

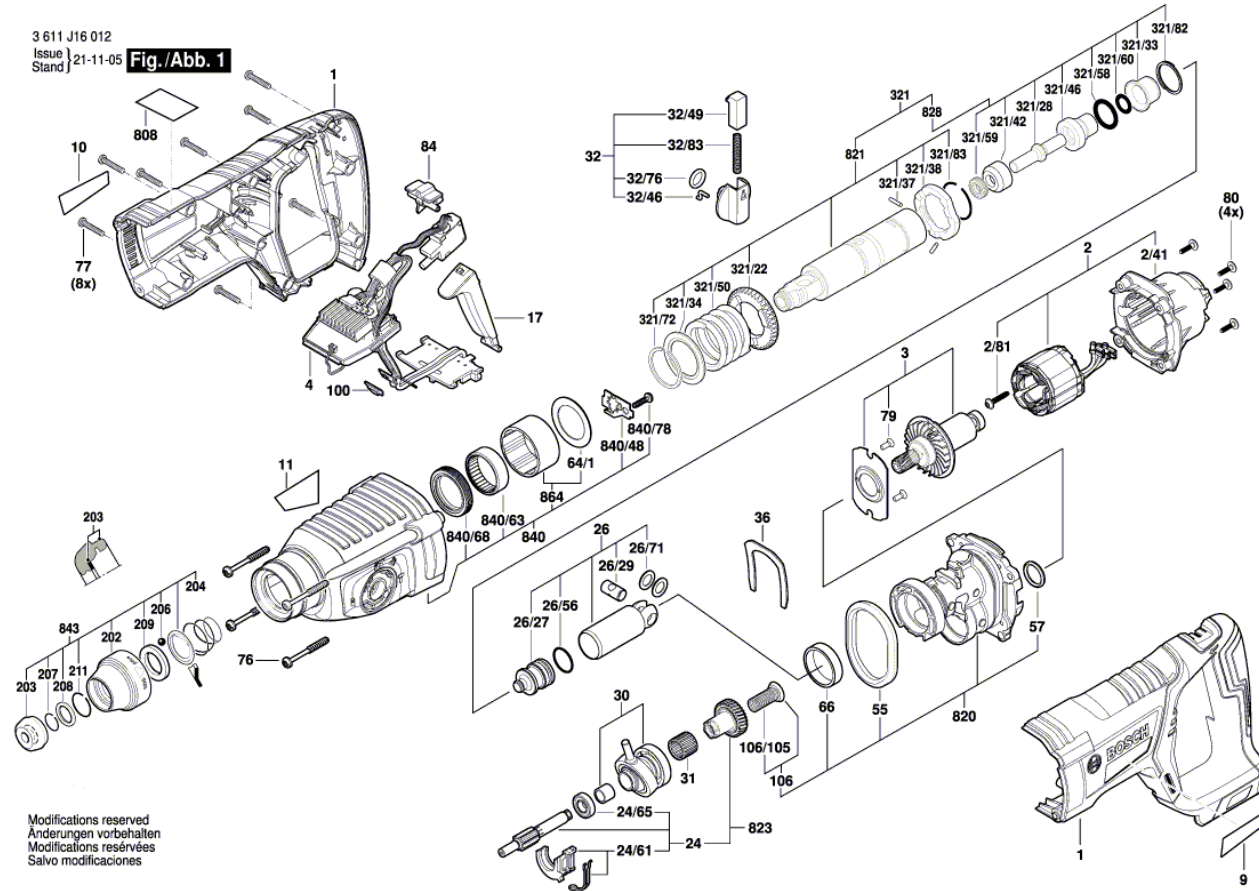
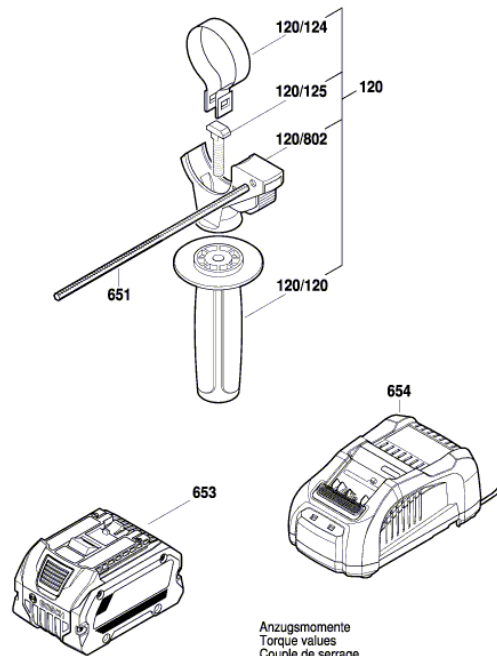


Illustration - Type - E

3 611 J16 012
 Issue | 20-07-14
 Stand | **Fig./Abb. 2**



Anzugsmomente
 Torque values
 Couple de serrage
 Pares de apriete
 Pos. 76 = 2,8 - 3,5Nm
 77 = 2,2 - 2,6Nm
 81 = 1,2 - 1,4Nm
 78 = 2,0 - 2,5Nm
 79 = 1,5 - 2,0Nm

Ausrastmoment 28,0 - 8,0Nm
 Slipping point of clutch 28,0 - 8,0Nm
 Couple de glessement 28,0 - 8,0Nm
 Momento de desenchavamiento 28,0 - 8,0Nm

Modifications reserved
 Änderungen vorbehalten
 Modifications réservées
 Salvo modificaciones