



BOSCH

Cordless Hammer Drill

GBH18V-22 | 3 611 J24 010

Table of Content

Spare parts list.....	2
Illustration - Type.....	4

Cordless Hammer Drill | GBH18V-22 | 3 611 J24 010

Spare parts list

Item	Part Number	Description	Illustration
1	1 605 108 2R3	Motor Housing	1
2	1 600 A02 99X	Stator	1
3	1 600 A02 99Y	Rotor	1
4	1 600 A02 520	Electronic Module	1
5	2 604 690 055	Compression Spring	1
6	1 600 A02 6NJ	Lens	1
17	1 610 290 108	O-Ring	1
18	1 600 A02 99Z	Intermediate Flange	1
19	1 610 210 208	O-Ring 24,0x2,0 MM	1
20	1 612 026 151	Clamp Handle BLACK	1
20/2	1 614 690 009	Driver Pin	1
20/3	1 612 026 035	Switch Button RED	1
20/4	1 610 210 046	O-Ring 10,5x2,7 MM	1
20/5	1 614 611 006	Compression Spring	1
21	1 618 597 13C	Toolholder	1
22	1 600 A02 2V6	Gear Sleeve	1
26	1 619 P17 855	Hammer Piston	1
33	1 619 P16 867	Switching Element	1
34	1 614 601 067	Retaining ring	1
43	1 605 806 6B4	Gear Housing	1
49	1 600 A02 2W7	Switching Element	1
51	1 610 021 004	Shift Plate	1
52	1 610 021 006	Shift Plate	1
53	1 600 A02 195	Shift Plate	1
54	1 613 023 005	Guide Rod	1
55	1 610 508 052	Protective Cap	1
56	1 610 499 060	Protection Sleeve	1
57	1 610 102 025	Friction Washer	1
58	1 619 P16 959	Support	1
59	1 610 102 045	Friction Washer 1,0 MM THICK	1
60	1 614 601 077	Spring retaining ring	1
61	1 610 551 005	Holding Plate	1
62	1 619 P01 799	Conical helical spring	1
63	1 903 230 013	Ball DIN 5401-Ø7MM-III-ST	1
67	1 600 A00 798	Guide Piece	1

Spare parts list

Item	Part Number	Description	Illustration
68	1 600 A00 1CL	Bellows	1
69	1 600 A02 7G6	Switch Slide	1
70	1 603 435 09H	Torx Oval-Head Screw	1
71	2 603 490 023	Torx Oval-Head Screw 4x20	1
72	1 619 P09 645	Torx Oval-Head Screw	1
74	1 619 P00 220	Torx Oval-Head Screw 3x10	1
75	1 614 643 025	Compression Spring	1
76	1 614 643 023	Compression Spring	1
79	1 613 435 023	Thread-forming tap. Screw	1
80	1 619 P01 380	Screw 4x14	1
808	1 619 P18 414	Label	1
824	1 619 P17 847	Jack Shaft	1
120	1 619 P16 971	Auxiliary Handle	2
120/120	1 619 P20 196	Auxiliary Handle	2
120/121	1 617 000 475	Support clamp	2
120/122	1 613 231 010	Push-Button	2
120/123	2 604 610 028	Compression Spring	2
120/124	1 611 316 021	Clamping Band Ø50 MM	2
120/125	1 613 490 002	T-Head Bolt M8x40 MM	2
651	1 613 001 009	Depth-Gauge SW 6x210 MM	2
653	1 607 A35 18A	Battery Pack GBA18V40 18V 4Ah	2
654	2 607 226 719	Charger GAL18V-40 120V 4A	2
691	1 619 P17 425	Latch	2
892	1 615 430 001	Grease Tube 225 ML	2
894	1 615 430 020	Grease Tube 225 ML	2
895	1 615 430 019	Oil Reservoir 1000 ML	2

Illustration - Type - E

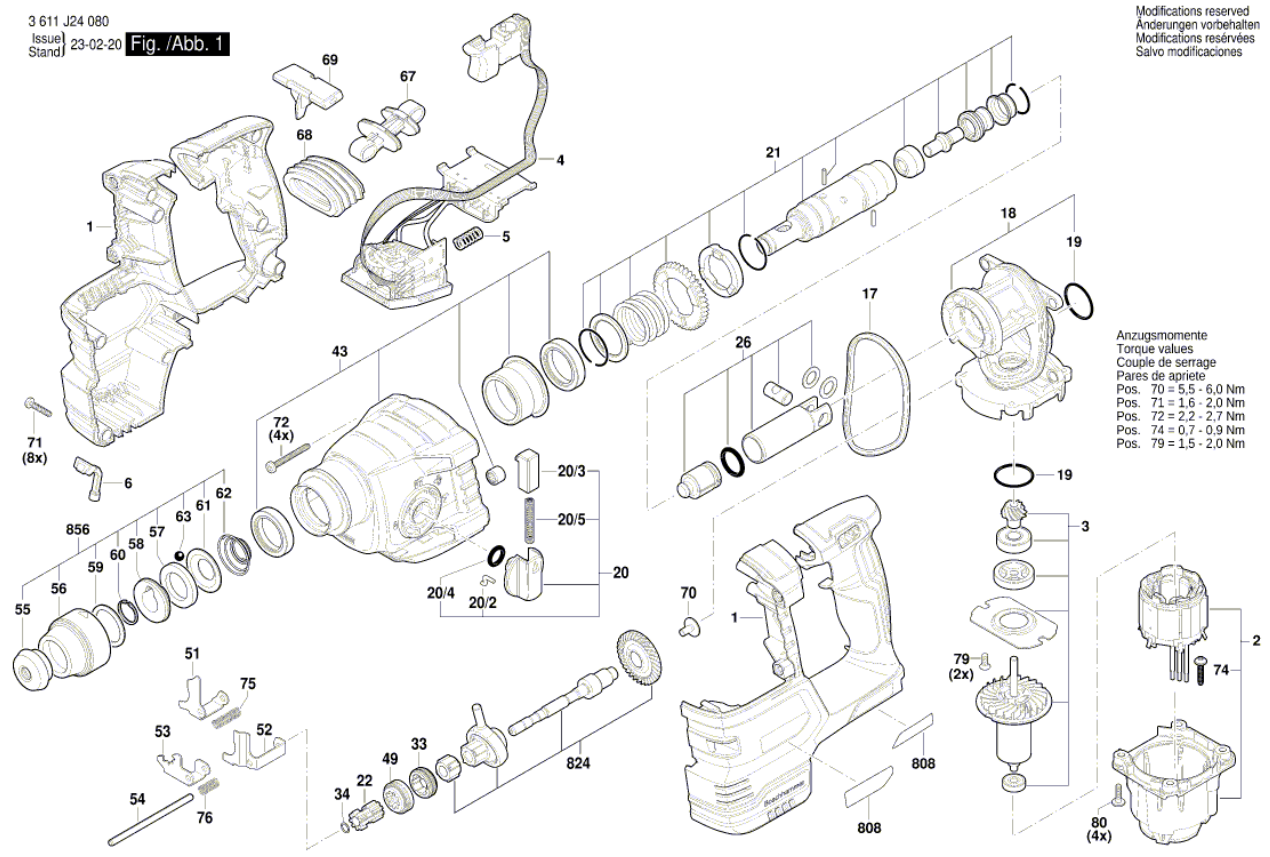


Illustration - Type - E

3 611 J24 080
Issue/
Stand/ 23-01-10 Fig./Abb. 2

