



**BOSCH**

# Rotary Hammer

GBH 187-LI | 3 611 J23 180

---

## Table of Content

Spare parts list.....	2
Illustration - Type.....	5

## Spare parts list

Item	Part Number	Description
1	1 619 P16 303	Housing Section
2	1 600 A02 3NK	Stator
3	1 619 P17 162	Rotor
3/49	1 615 700 044	End Shield
4	1 600 A02 F1A	Electronic Module
5	1 609 280 477	Compression Spring
6/1	1 600 A02 5P4	Electronics Module
6/2	1 600 A02 51J	Cell Cover
7	1 619 P16 921	Electronic Module
17/18	1 610 210 156	O-Ring 39,0x3,0 MM
27	1 619 P16 308	Striker
29	1 619 P16 954	Piston Pin
32	1 612 026 157	Clamp Handle BLACK
32/1	1 610 210 046	O-Ring 10,5x2,7 MM
36	1 619 P16 599	Bearing Holder
41	1 619 P16 304	Intermediate housing
46	1 619 P09 571	Driver Pin
49	1 612 026 035	Switch Button RED
51	1 619 P16 310	Control Element
55	1 610 210 206	Seal Ring 63,0x5,0 MM
56	1 616 B00 086	O-Ring
57	1 610 210 208	O-Ring 24,0x2,0 MM
64/1	1 619 P12 278	Supporting Disc
71	1 610 100 016	Guide Disc
76	1 613 435 022	Thread-forming tap. Screw
77	2 603 490 023	Torx Oval-Head Screw 4x20
79	1 613 435 023	Thread-forming tap. Screw
80	1 619 P17 247	Torx Oval-Head Screw
81	2 603 490 022	Screw 4x16
83	1 614 611 006	Compression Spring
84	1 619 P16 312	Change-Over Switch
88	2 916 660 042	Retaining ring
93	1 600 A00 798	Guide Piece
100	1 619 P13 744	Lens
101	1 619 P16 684	Shim

Spare parts list

Item	Part Number	Description
105	1 619 P16 314	Compression Spring
109	1 603 435 07U	Thread-forming tap. Screw
200	1 619 P16 315	Bellows
201	1 619 P17 420	Chuck
321	1 619 P17 126	Toolholder
321/22	1 616 312 004	Cylindrical Gear
321/28	1 619 P17 132	Striker Pin
321/33	1 610 590 014	Holding Jacket
321/34	1 619 P12 280	Supporting Disc
321/37	1 613 100 019	Straight Pin     DIN6325-2,5x12-RIKO
321/38	1 610 190 048	Catch Disk
321/42	2 608 670 713	Thrust Ring
321/46	1 616 B10 047	Guide Bushing
321/50	1 614 611 020	Compression Spring
321/58	1 610 210 178	O-Ring
321/59	1 610 283 035	Rotary shaft lip seal
321/60	1 610 210 176	O-Ring     9,0x3,5 MM
321/72	1 604 601 027	Retaining ring
321/82	1 614 601 034	Retaining ring
321/83	1 604 601 028	Retaining ring     A22 DIN 7993
340	1 619 P17 171	Auxiliary Handle
340/48	1 611 098 008	Tab Washer
340/63	1 610 910 063	Needle bearing     Ø30xØ37x12 MM
340/67	2 600 910 006	Needle bearing     Ø7 MM
340/68	1 610 283 017	Rotary shaft lip seal
802	1 619 P17 163	Stator
808	1 619 P17 843	Label
817	1 619 P17 351	Bearing Flange
820	1 619 P17 352	Intermediate Flange
821	1 619 P17 844	Hammer Pipe
824	1 619 P13 457	Toothed Shaft
826	1 619 P17 564	Hammer Piston
828	1 619 P17 845	Striker Pin
830	1 619 P17 539	Drive bearing
864	1 619 P13 461	Supporting Disc

## Spare parts list

Item	Part Number	Description	
120/120	1 602 025 09C	Auxiliary Handle	
120/121	1 617 000 475	Support clamp	
120/122	1 613 231 010	Push-Button	
120/123	2 604 610 028	Compression Spring	
120/124	1 611 316 021	Clamping Band	Ø50 MM
120/125	1 613 490 002	T-Head Bolt	M8x40 MM
651	1 613 001 009	Depth-Gauge	SW 6x210 MM
653	1 607 A35 00K	Battery Pack	TWN GBA 18V 5.0Ah M-C
653	1 607 A35 014	Battery Pack	GBA 18V 6,0Ah M-C (CN)
653	2 607 337 069	Battery Pack	BBS MR, 18V, 5,0 Ah 48 S
653/1	2 601 115 537	Sticker	
654	2 607 225 937	Charger	CN GAL 1880 CV 220V/14,4-18V
691	1 619 P17 425	Latch	
892	1 615 430 001	Grease Tube	225 ML
893	1 615 430 002	Grease Tube	225 ML
894	1 615 430 020	Grease Tube	225 ML
895	1 615 430 019	Oil Reservoir	1000 ML

Illustration - Type - E

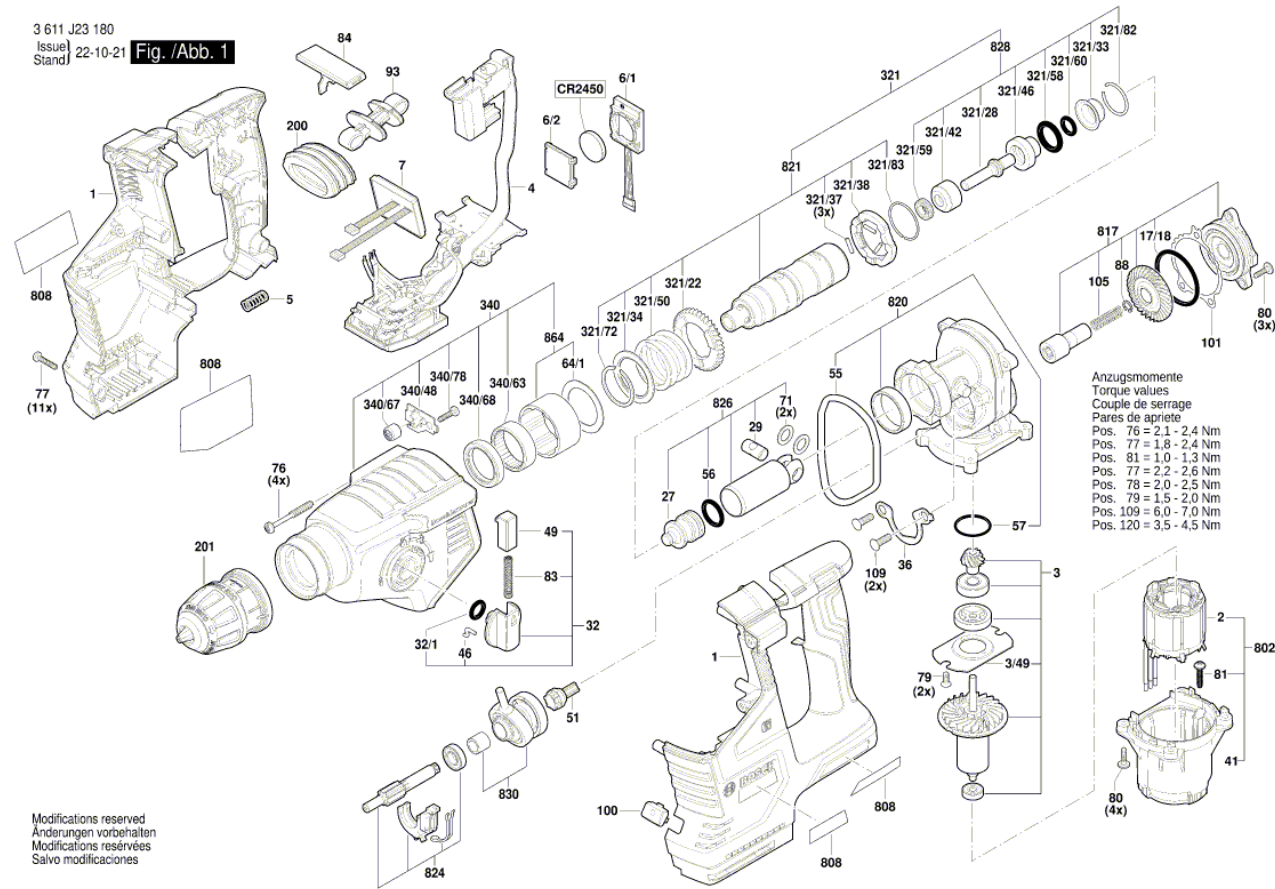


Illustration - Type - E

3 611 J23 180  
 Issue/Stand | 22-10-21 | Fig./Abb. 2

