



**BOSCH**

# Cordless Hammer Drill

GBH 180-LI | 3 611 J11 080

---

## Table of Content

Spare parts list.....	2
Illustration - Type.....	5

## Spare parts list

Item	Part Number	Description	
2	1 619 P13 742	Field	
3/15	2 610 909 077	axial flow fan	
4	1 600 A00 F9H	Electronic Module	
5	2 604 690 055	Compression Spring	
6	1 619 P13 744	Lens	
7/17	1 610 290 108	O-Ring	
7/19	1 610 210 184	O-Ring	22,0x2,5 MM
7/20	1 612 026 151	Clamp Handle	BLACK
7/20/2	1 614 690 009	Driver Pin	
7/20/3	1 612 026 035	Switch Button	RED
7/20/4	1 610 210 046	O-Ring	10,5x2,7 MM
7/20/5	1 614 611 006	Compression Spring	
7/22	1 616 328 053	Gear Sleeve	
7/26	1 618 700 083	Hammer Piston	
7/27	1 618 710 085	Striker	
7/29	1 613 100 034	Piston Pin	
7/33	1 615 820 103	Switching Element	
7/34	1 619 P00 829	Retaining ring	
7/37	1 610 100 016	Guide Disc	
7/45	1 611 016 003	Holding Plate	
7/47	1 610 202 031	Plain bearing	
7/49	1 615 820 104	Switching Element	
7/51	1 610 021 004	Shift Plate	
7/52	1 610 021 006	Shift Plate	
7/53	1 610 021 005	Shift Plate	
7/54	1 613 023 005	Guide Rod	
7/55	1 610 508 052	Protective Cap	
7/60	1 614 601 077	Spring retaining ring	
7/63	1 903 230 013	Ball	DIN 5401-Ø7MM-III-ST
7/65	1 610 210 244	O-Ring	13,0x3,0 MM
7/75	1 614 643 025	Compression Spring	
7/76	1 614 643 023	Compression Spring	
7/77	1 619 P09 722	Shaft Seal	
9	1 619 P13 760	Manufacturer's nameplate	GBH 180-LI
10	1 619 P13 761	Manufacturer's nameplate	GBH 180-LI

# Cordless Hammer Drill | GBH 180-LI | 3 611 J11 080

## Spare parts list

Item	Part Number	Description
15	2 603 100 056	Damping rubber
66	1 900 905 029	Ball Bearing 8x22x7
67	1 610 905 047	groove ball bearing
68	1 600 100 037	Plain Washer
69	1 619 P13 747	Change-Over Switch
71	2 603 490 023	Torx Oval-Head Screw 4x20
72	1 619 P09 645	Torx Oval-Head Screw
73	1 619 P06 252	Torx Oval-Head Screw
801	1 619 P14 446	Motor Housing
803	1 619 P14 346	Armature
808	1 619 P14 597	Nameplate
816	1 619 P14 345	Carbon-Brush Set
818	1 619 P09 616	Intermediate Flange
821	1 619 P09 617	Hammer Pipe
821/211	1 619 P09 815	Hammer Pipe
821/28	1 613 124 084	Striker Pin
821/31	1 619 P09 816	Retaining ring
821/32	1 619 P07 426	Rubber Bushing
821/36	1 610 551 008	Holding Plate
821/38	1 616 317 084	Cylindrical Gear
821/39	1 614 601 055	Retaining ring
821/40	1 613 100 032	Straight Pin
821/41	1 610 102 072	Ratchet Disc
821/44	1 610 102 092	Friction Washer
821/46	1 614 630 003	Compression Spring
821/50	1 619 P11 562	Guide Bushing
824	1 617 000 6BC	Jack Shaft
843	1 619 P09 186	Gear Housing
856	1 617 000 6D3	Protection Sleeve
651	1 613 001 009	Depth-Gauge SW 6x210 MM
653	1 607 A35 0M0	Battery Pack GBA 18V 4.0Ah
654	2 607 225 937	Charger CN GAL 1880 CV 220V/14,4-18V
654	2 607 226 267	Fast Charger CN GAL 18V-40
654	2 607 226 281	Fast Charger 12V-18V 2A EU GAL 18V-20 220V-240V

**Spare parts list**

<b>Item</b>	<b>Part Number</b>	<b>Description</b>
691/895	1 619 P14 336	Latch
822	1 602 025 08X	Auxiliary Handle
822/120	1 602 025 07H	Auxiliary Handle
822/124	1 611 316 021	Clamping Band    Ø50 MM
822/125	1 613 490 002	T-Head Bolt    M8x40 MM
822/802	1 617 000 475	Support clamp
892	1 615 430 020	Grease Tube    225 ML
893	1 615 430 001	Grease Tube    225 ML

Illustration - Type - E

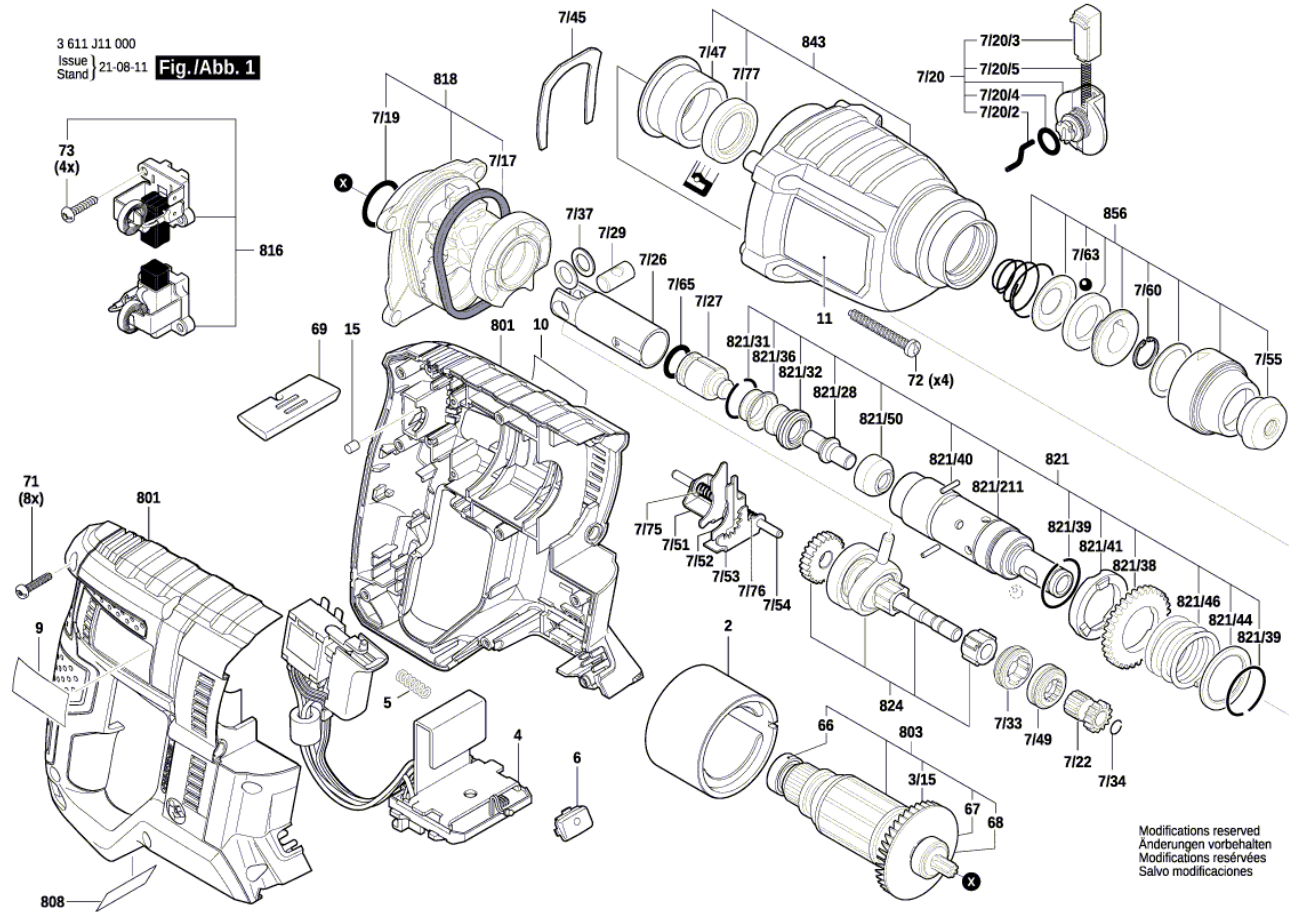
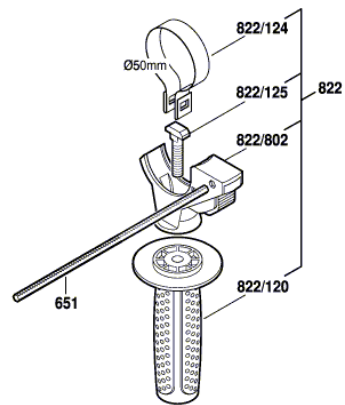


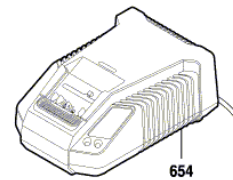
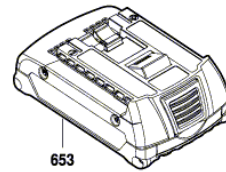
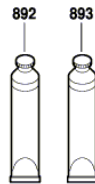
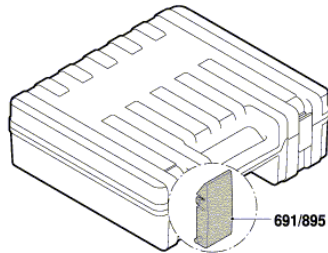
Illustration - Type - E

3 611 J11 000  
 Issue | 20-08-19  
 Stand | **Fig./Abb. 2**



Pos 7\*  
 Anzugsmoment 28,0 - 8,0 Nm  
 Slipping point of clutch 28,0 - 8,0 Nm  
 Couple de glissement 28,0 - 8,0 Nm  
 Momento de desenchavamiento 28,0 - 8,0 Nm

Anzugsmomente  
 Torque values  
 Couple de serrage  
 Pares de apriete  
 Pos. 71 = 1,6 - 2,0 Nm  
 72 = 2,2 - 2,7 Nm  
 73 = 1,0 - 1,3 Nm  
 822/12 = 2,7 - 4,7 Nm



Modifications reserved  
 Änderungen vorbehalten  
 Modifications réservées  
 Salvo modificaciones