



**BOSCH**

# Battery Pack

GBA18V120 | 1 607 A35 0CM

---

## Table of Content

Spare parts list.....	2
Illustration - Type.....	3

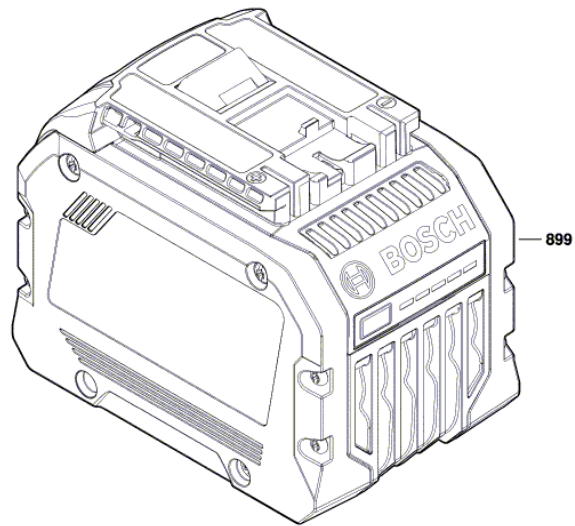
**Spare parts list**

<b>Item</b>	<b>Part Number</b>	<b>Description</b>		<b>Illustration</b>	<b>Price</b>	<b>Quantity</b>	<b>Price Group</b>
899	1 607 A35 OCM	Battery Pack	USA GBA18V120	1	-	1	

\* Prices shown are suggested retail prices

Illustration - Type - E

1 607 A35 OAX  
Issue |  
Stand | 20-11-04 Fig./Abb. 1



Modifications reserved  
Änderungen vorbehalten  
Modifications réservées  
Salvo modificaciones