

## Industrial Vacuum Cleaner - 0 601 971 034 - GAS 90...

www.powertools-aftersaleservice.com



**BOSCH**

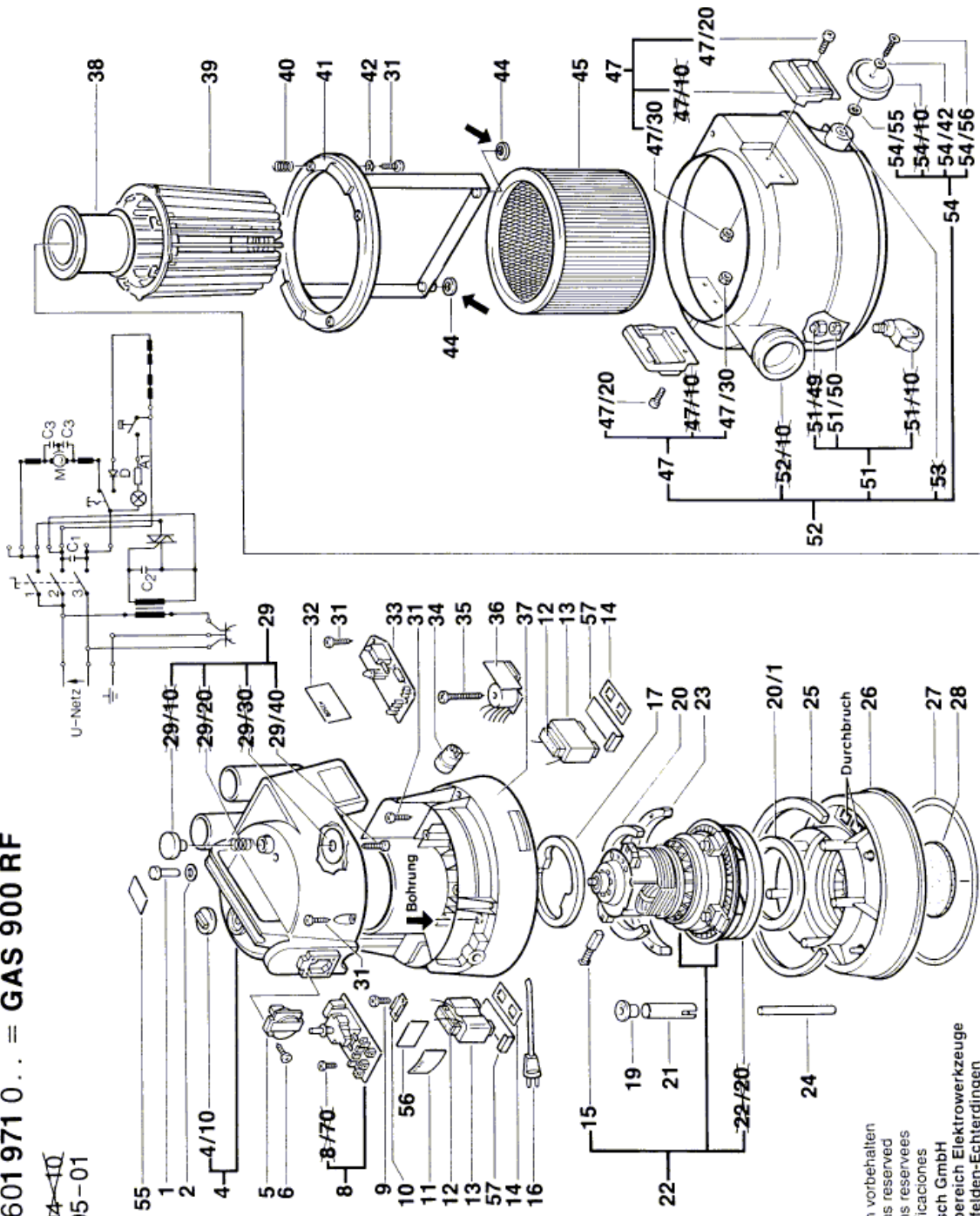
Item	Part Number	Description	Illustration	Price	Quantity	Price Group
1	1 609 201 654	Indicator Lamp	1	-,-	1	19
2	1 609 201 655	Seal ring	1	-,-	1	11
4	1 609 202 365	Covering hood	1	-,-	1	37
4	1 609 202 365	Covering hood	1	-,-	1	37
4/10	1 609 203 721	Switch Button RED	1	-,-	1	22
4/10	1 609 201 656	Switch Button	1	-,-	1	18
6	2 910 612 519	Tapping Screw DIN 7983-ST3,9x19-C-H	1	-,-	4	10
9	2 910 211 208	Tapping Screw DIN 7971-B2,9x19	1	-,-	2	10
10	1 609 201 659	Clamp	1	-,-	1	13
11	1 601 110 399	Nameplate	1	-,-	1	-
12	1 609 201 660	Damping Plate	1	-,-	2	11
14	1 609 201 663	Sealing disk	1	-,-	2	12
15	1 609 201 699	Carbon-Brush Set	1	-,-	1	32
17	1 609 201 666	Air-Deflector Ring	1	-,-	1	16
19	1 609 201 668	Seal ring	1	-,-	1	12
20	1 609 201 669	Seal ring	1	-,-	2	18
20/1	1 609 202 374	Seal ring	1	-,-	1	13
21	1 609 202 573	Guide Sleeve	1	-,-	1	15
22	1 609 202 369	Suction Blower 110-115V	1	-,-	1	52
22	1 609 202 369	Suction Blower 110-115V	1	-,-	1	52
24	1 609 202 573	Guide Sleeve	1	-,-	1	15
25	1 609 201 674	Air Filter	1	-,-	1	12
26	1 609 201 675	Intermediate Flange	1	-,-	1	32
27	1 609 201 676	Seal ring	1	-,-	1	20
28	1 609 201 677	Air Filter	1	-,-	1	12
29	1 609 201 678	Push-Button	1	-,-	1	20
29/40	2 910 611 015	Tapping Screw DIN 7981-B3,5x25	1	-,-	1	11
31	2 910 611 015	Tapping Screw DIN 7981-B3,5x25	1	-,-	17	11
32	1 601 110 390	Manufacturer's nameplate	1	-,-	2	-
34	1 609 201 680	Pressure Switch	1	-,-	1	27
35	1 609 201 681	Tapping Screw 3,5x32 MM	1	-,-	1	11
37	1 609 201 683	Intermediate housing	1	-,-	1	33
38	1 609 200 952	Float	1	-,-	1	22

Item	Part Number	Description	Illustration	Price	Quantity	Price Group
39	1 609 201 684	Suction Basket	1	-,-	1	19
40	1 609 201 685	Compression Spring	1	-,-	4	12
41	1 609 203 182	Retaining snap ring	1	-,-	1	40
42	1 609 202 726	Plain Washer Ø4,2xØ11x1,2MM	1	-,-	4	11
44	1 609 201 688	Sealing disk	1	-,-	2	-
45	1 609 201 646	Air Filter Ø 245 MM	1	-,-	1	44
47	1 609 201 690	Bent-Lever Closure	1	-,-	2	24
47/20	2 910 021 193	Socket head cap screw DIN 84-AM6x12-8.8	1	-,-	4	10
47/30	2 915 011 007	Hex Nut DIN 934-M6-8-A	1	-,-	4	10
51	1 609 201 691	Impeller	1	-,-	1	25
51/50	2 915 011 009	Hex Nut DIN 934-M8-8-A	1	-,-	1	11
52	1 609 201 692	Dust container BLUE	1	-,-	1	48
54	1 609 201 693	Impeller	1	-,-	2	-
54	1 609 202 221	Impeller	1	-,-	2	24
54/42	1 609 202 726	Plain Washer Ø4,2xØ11x1,2MM	1	-,-	2	11
54/55	2 916 011 016	Plain Washer DIN 125-A 8,4-ST	1	-,-	2	10
54/56	2 910 611 027	Tapping Screw DIN 7981-B4,2x19	1	-,-	2	10
55	1 601 110 400	Reference Plate	1	-,-	1	-
57	1 609 202 192	Leaf Spring	1	-,-	2	11
651	1 609 200 968	Suction Pipe Ø 49 MM, L=0,5 M	2	-,-	2	-
652	1 609 200 969	Suction Nozzle Ø 49 MM	2	-,-	1	-
653	1 609 200 970	Suction Nozzle Ø 49 MM, 350 MM	2	-,-	1	-
653/10	1 609 201 109	Flat Brush	2	-,-	1	20
653/20	1 609 201 110	Flat Brush	2	-,-	1	20
654	1 609 200 971	Crevice Nozzle Ø 49 MM	2	-,-	1	-
655	1 609 200 976	Suction Pipe Ø 49/35 MM	2	-,-	1	-
700	2 607 000 165	Crevice Nozzle Ø 35 MM, L= 250 MM	2	-,-	1	-
702	1 609 200 933	Reduction Sleeve Ø 49/35 MM+3/4"	2	-,-	1	-
705	1 609 201 627	Guide Bracket	2	-,-	1	-
707	2 607 000 163	Air Hose Ø 35 MM, 2 M,1	3	-,-	1	-
707/1	1 609 202 230	Air Hose Ø35 MM, L=5 M	3	-,-	1	-
708	1 609 201 229	Suction Nozzle Ø 35 MM	3	-,-	1	-
709	1 609 201 230	Suction Nozzle Ø 35 MM	3	-,-	1	-
710	1 609 201 231	Flat Suction Nozzle Ø 35 MM-200 MM	3	-,-	1	-
711	1 609 201 232	Suction Pipe Ø 35 MM, L=0,5 M	3	-,-	1	-
712	1 609 201 233	Upholstery Nozzle Ø 35 MM	3	-,-	1	-
713	1 609 201 234	Suction Brush	3	-,-	1	-
714	1 609 201 235	Suction Nozzle Ø 49 MM	2	-,-	1	-
750	2 607 000 167	Air Hose Ø 49 MM, 3 M,1	2	-,-	1	-

Illustration - Type E

**Typ 0 601 971 0... = GAS 900 RF**

Stand ~~94-10~~  
Issue 95-01

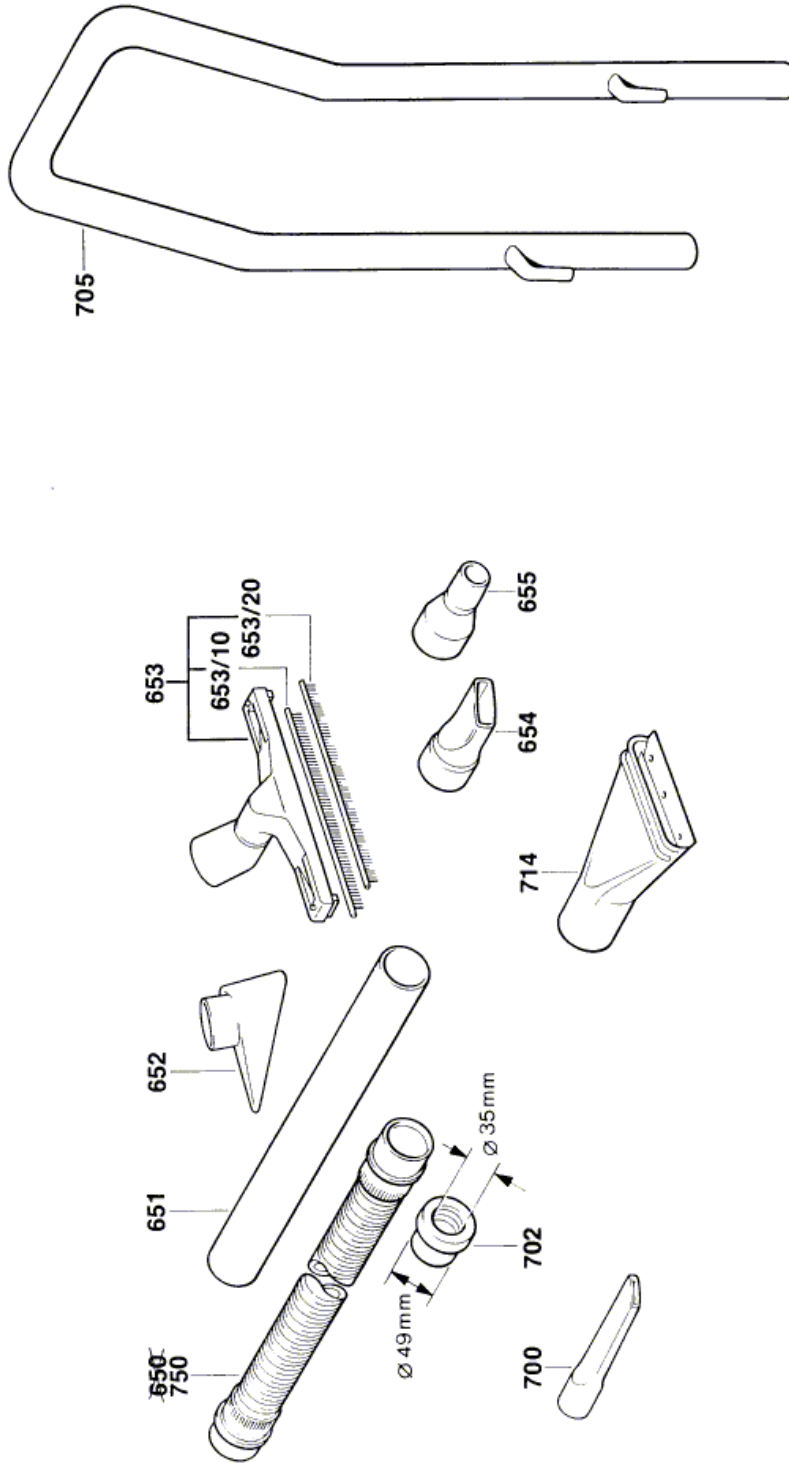


Änderungen vorbehalten  
 Modifications reserved  
 Modifications reserves  
 Salvo modificaciones  
 Robert Bosch GmbH  
 Geschäftsbereich Elektrowerzeuge  
 70745 Leinfelden-Echterdingen

Illustration - Type E

**Typ 0 601 971 0... = GAS 900 RF**

Stand ~~89-09~~  
Issue 95-01

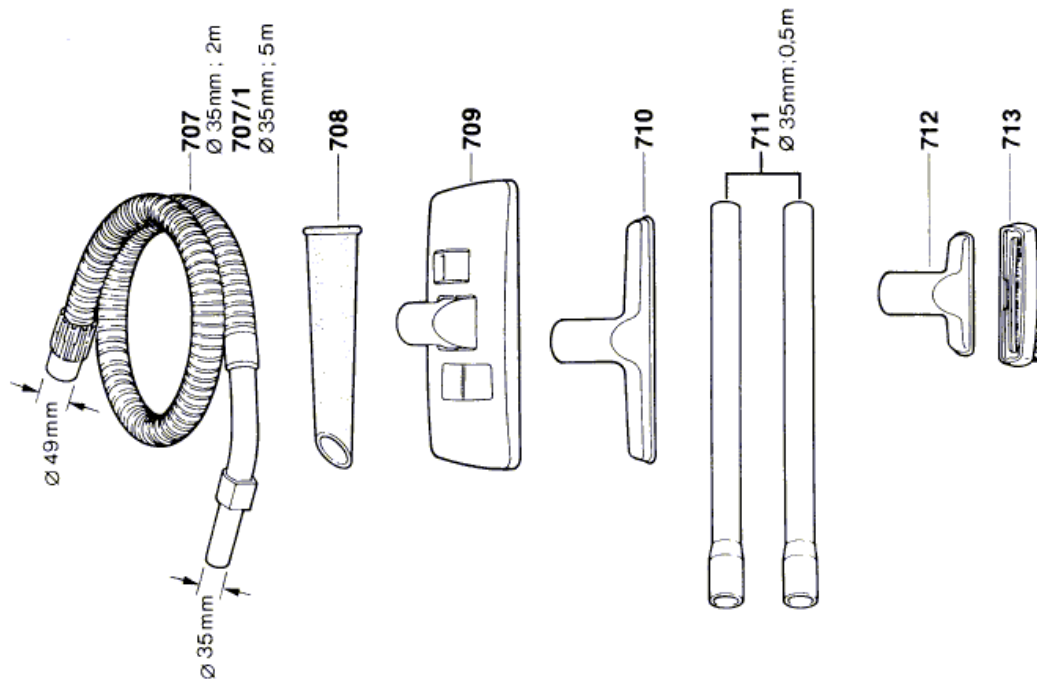


Anderungen vorbehalten  
Modifications reserved  
Modificaciones reservadas  
Salvo modificaciones  
Robert Bosch GmbH  
Geschäftsbereich Elektrowerkzeuge  
70745 Leinfelden-Echterdingen

Illustration - Type E

### Typ 0 601 971 0... = GAS 900 RF

Stand ~~89~~→09  
Issue 95-01



Änderungen vorbehalten  
Modifications reserved  
Modificacions reserves  
Salvo modificaciones  
Robert Bosch GmbH  
Geschäftsbereich Elektrowerkzeuge  
70745 Leinfelden-Echterdingen

Information subject to change without further notice.