



BOSCH

All Purpose Vacuum Cleaners

GAS 11-21 | 0 601 97A 043

Table of Content

Spare parts list.....	2
Illustration - Type.....	5

Spare parts list

Item	Part Number	Description	
4	1 609 203 A34	Covering hood	
4/10	1 609 203 A29	Cover	
4/20	1 609 203 A31	Handle	
6	1 609 203 A27	Tapping Screw	5x20 MM
7	1 609 203 A74	Tapping Screw	5x55 MM
8	1 609 203 A33	On-Off Switch	
10	1 609 203 A26	Cable Clip	
11	1 601 118 D06	Nameplate	
16	1 609 203 S72	Power supply cord	
16/10	1 609 203 A25	Grommet	
16/20	1 609 203 A28	Socket-Terminal Strip	
16/30	1 609 203 B34	Reference Plate	
17	1 609 203 A36	Air-Deflector Ring	
20	1 609 203 A35	Seal Ring	
23	1 609 203 A41	Seal Ring	
24	1 609 203 A42	Air-Deflector Ring	
25	1 609 203 N44	Seal Ring	
26	1 609 203 A43	Intermediate Flange	
28	1 609 203 A32	Filter Disc	
28/1	1 609 203 A37	Air Filter	
31	1 609 203 A30	Tapping Screw	5x30 MM
32	1 601 118 E06	Manufacturer's nameplate	
35	1 609 203 A38	Tapping Screw	5x40 MM
37	1 609 203 A39	Intermediate housing	
38	1 609 203 A52	Float	
38/10	1 609 203 B33	Seal	
39	1 609 203 A51	Suction Basket	
43/50	1 609 203 A53	Retaining snap ring	
47	1 609 203 A44	Support clamp	
48	1 609 203 N57	Cable Set	
50	1 609 203 A49	Sleeve	
51	1 609 203 A50	Tapping Screw	5x20 MM
743/60	2 607 432 013	Dust Bag	
822	1 609 203 N53	Suction Blower	230V
853	1 609 203 A46	Cable tie	

Spare parts list

Item	Part Number	Description
43/60	1 609 203 A54	Filter
43/70	1 609 203 A55	Support Frame
690	1 609 203 D29	Dust container
690/100	1 609 203 A64	Cover Plate
690/10	1 609 203 D28	Container
690/110	1 609 203 A65	Corner Protection
690/120	1 609 203 A66	Impeller
690/50	1 609 203 A59	Deflector
690/60	1 609 203 A60	Plate
690/70	1 609 203 A61	Spring
690/80	1 609 203 A62	Sealing Plate
690/90	1 609 203 A63	Push-Button
650/20	1 609 203 A77	Fitting Ø 35 MM
650/30	1 609 203 A78	Fitting Ø 45 MM
652	1 609 203 B92	Suction Pipe
750	2 600 793 009	Air Hose Ø 19 MM, 3/4", L= 3 M
750	2 607 002 149	Air Hose Ø35 MM L= 3 M
750/1	1 610 793 002	Air Hose Ø19 MM, L=5M, 3/4" BLACK
750/1	2 607 002 150	Air Hose Ø35 MM L= 5 M
751	1 609 390 479	Setting Tube Ø 35 MM
752	2 607 000 162	Suction Pipe Ø 35 MM, 0,5 M
753	2 607 000 170	Suction Nozzle Ø 35 MM
754	1 609 390 478	Suction Nozzle Ø 35 MM
754/10	1 609 390 493	Flat Brush
754/20	1 609 390 494	Flat Brush
754/30	1 609 390 495	Strip brush
755	2 607 000 165	Crevice Nozzle Ø 35 MM, L= 250 MM
756	1 609 201 229	Suction Nozzle Ø 35 MM
757	1 609 201 230	Suction Nozzle Ø 35 MM
759	2 607 000 166	Suction Nozzle Ø 35 MM
759/20	1 609 202 534	Brush Insert
761	1 609 390 481	Suction Brush Ø 35 MM
762	2 607 000 168	Suction Nozzle Ø 35 MM
764	1 609 499 005	Fitting
765	2 607 000 748	Adapter Ø 35/Ø19 MM (3/4")

Spare parts list

Item	Part Number	Description	
773	2 605 411 150	Dust Bag	5 PIECE
852	1 609 203 D20	O-Ring	

Illustration - Type - E

0 601 97A 004 / 006 / 040
 Stand 10-07-22
 Issue 04-07-30 **Fig./Abb. 1**

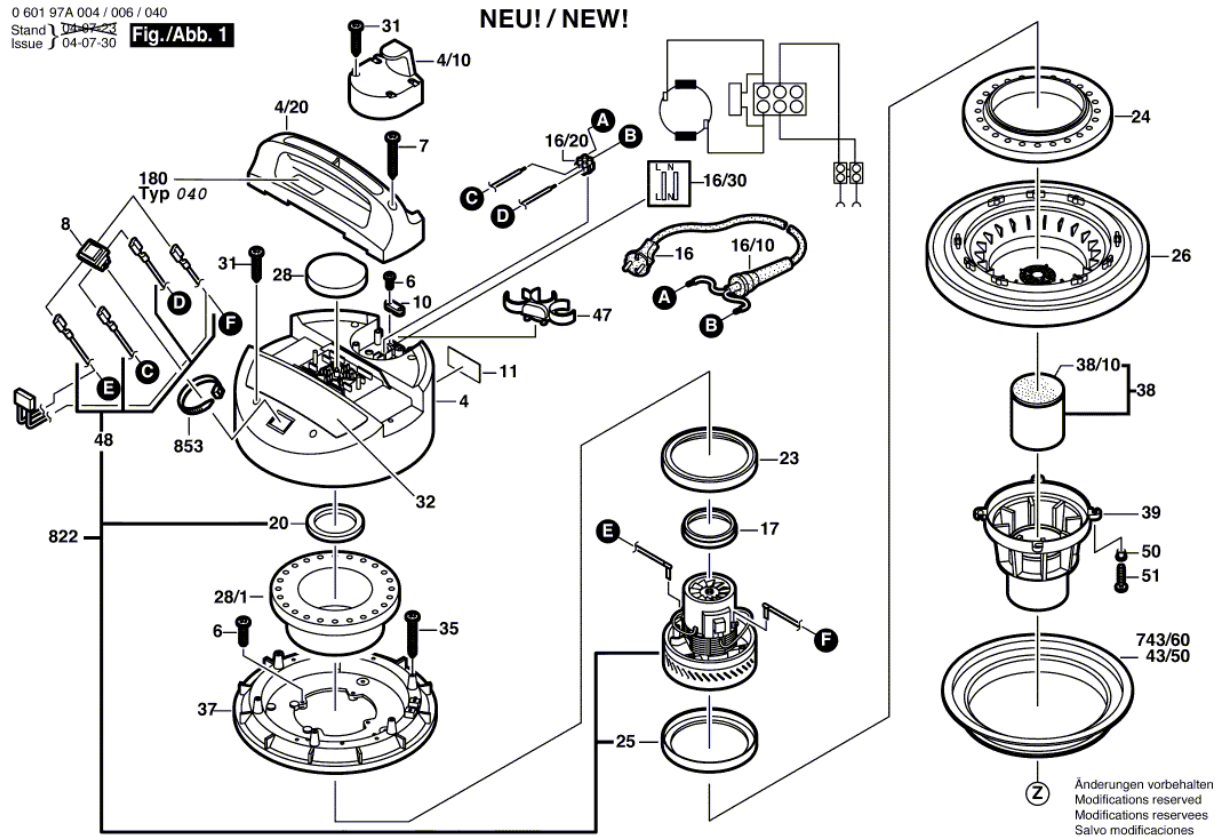
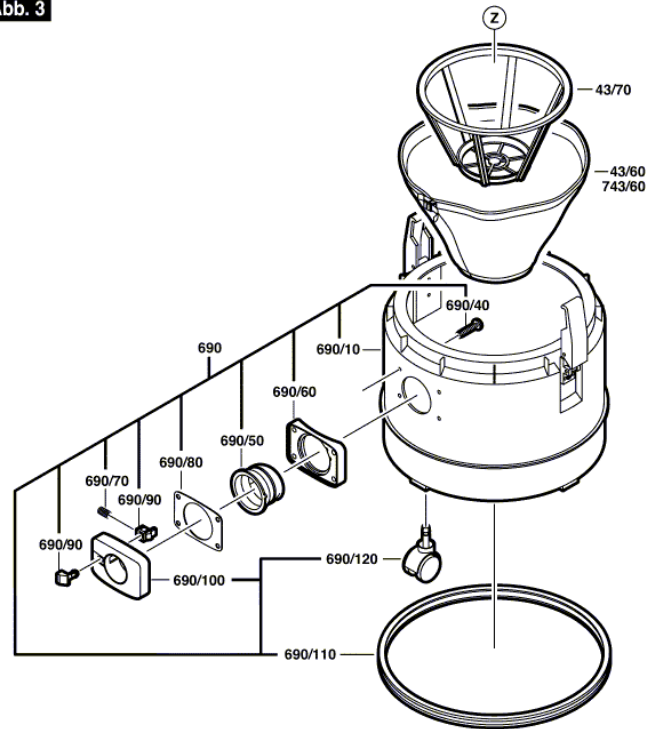


Illustration - Type - E

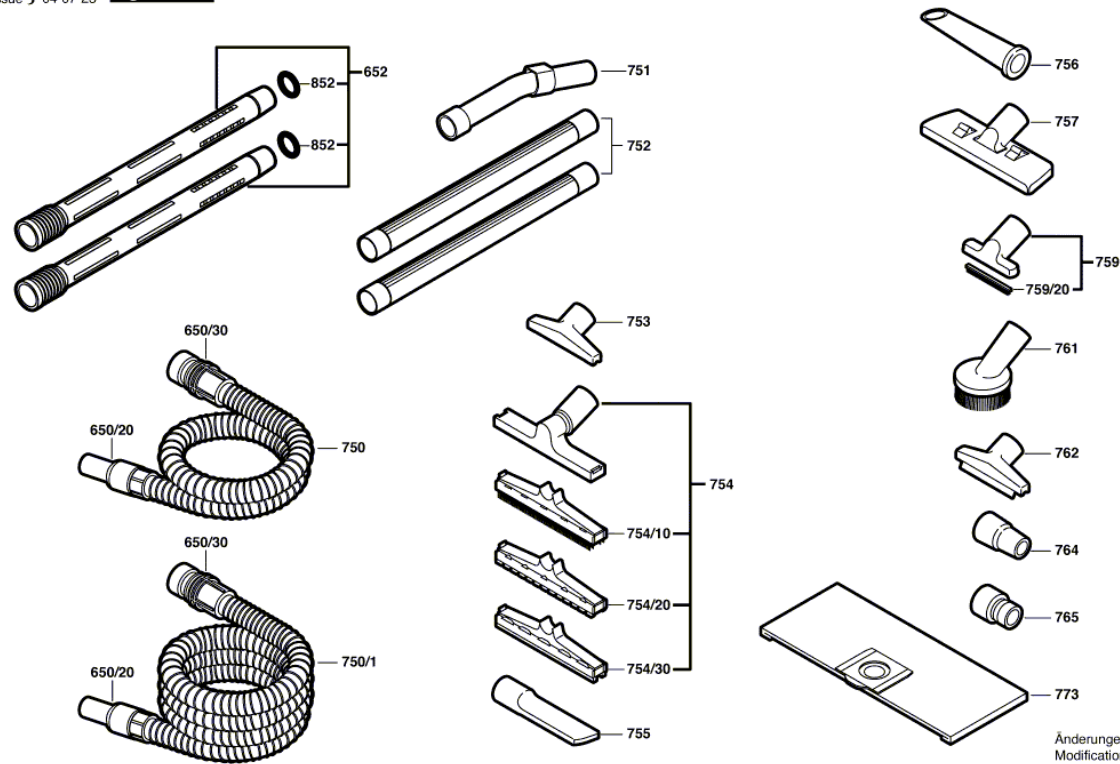
0 601 97A 004 / 006 / 040
Stand | ~~DE-04~~
Issue | 04-07-23 **Fig./Abb. 3**



Änderungen vorbehalten
Modifications reserved
Modificaciones reservadas
Salvo modificaciones

Illustration - Type - E

0 601 97A 004 / 006 / 040
 Stand ~~11-21~~
 Issue / 04-07-23 **Fig./Abb. 4**



Änderungen vorbehalten
 Modifications reserved
 Modifications reserves
 Salvo modificaciones