



BOSCH

Protractor

GAM 270 MFL | 3 601 K76 410

Table of Content

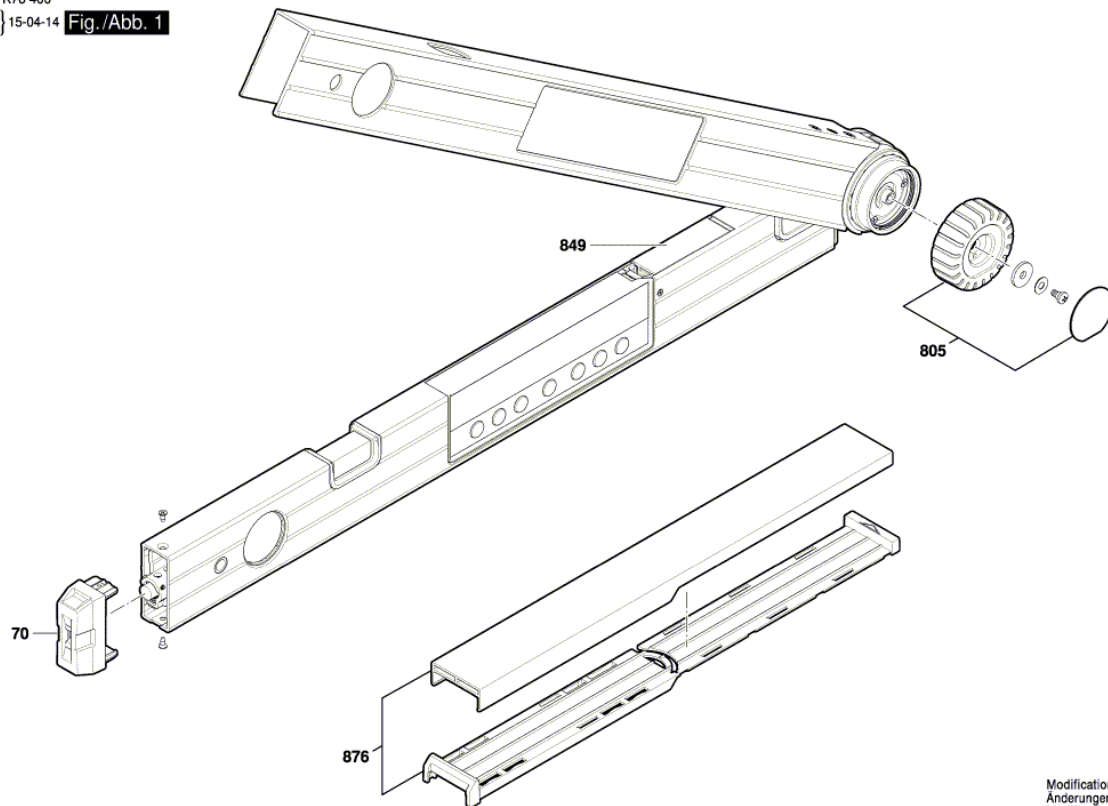
| | |
|--------------------------|---|
| Spare parts list..... | 2 |
| Illustration - Type..... | 3 |

Spare parts list

| Item | Part Number | Description | Illustration |
|-------------|--------------------|--------------------|---------------------|
| 70 | 1 619 PA8 574 | End cap | 1 |
| 805 | 1 619 PA8 509 | Hand Wheel | 1 |
| 849 | 1 619 PA8 553 | Battery Cover | 1 |
| 876 | 1 619 PA8 464 | Rail | 1 |

Illustration - Type - E

3 601 K76 400
Issue |
Stand | 15-04-14 Fig./Abb. 1



Modifications reserved
Änderungen vorbehalten
Modifications réservées
Salvo modificaciones