



**BOSCH**

# Fast Charger

GAL18V6-80 | 2 607 226 429

---

## Table of Content

Spare parts list.....	2
Illustration - Type.....	3

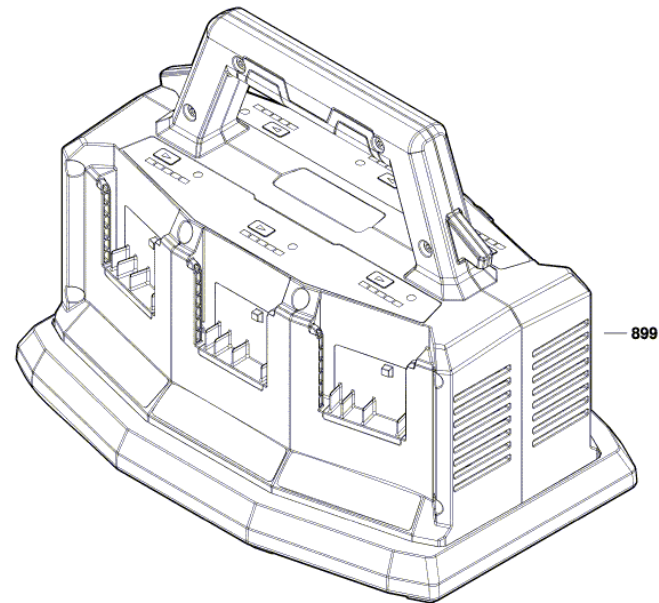
**Spare parts list**

<b>Item</b>	<b>Part Number</b>	<b>Description</b>	<b>Illustration</b>	<b>Price</b>	<b>Quantity</b>	<b>Price Group</b>
899	1 600 A01 U9N	Fast Charger	1	-	1	

\* Prices shown are suggested retail prices

Illustration - Type - E

2 607 226 429  
Issue |  
Stand | 20-10-29 **Fig./Abb. 1**



Modifications reserved  
Änderungen vorbehalten  
Modifications réservées  
Salvo modificaciones