

1) GENERATOR

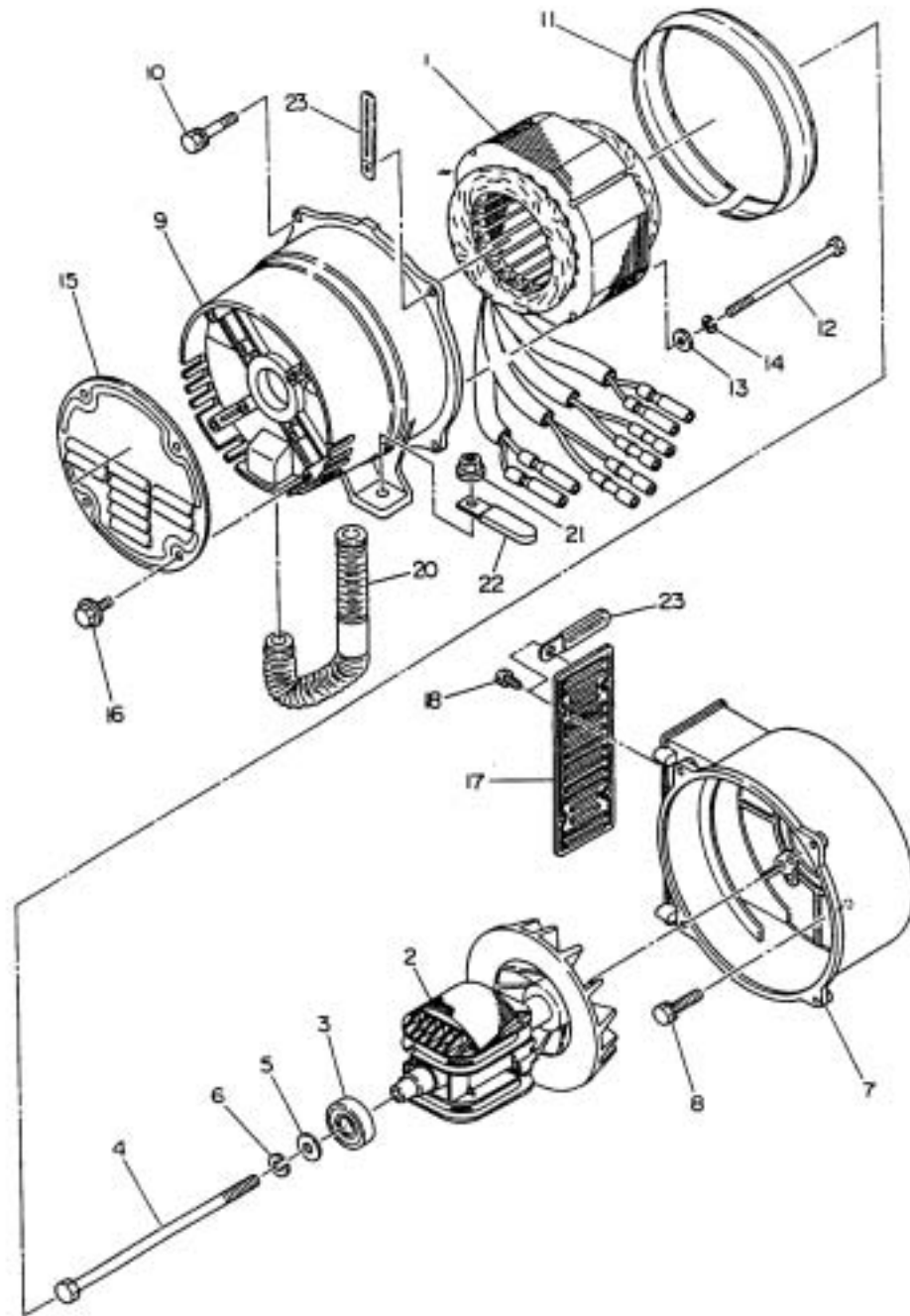


Fig.	Part No.	Qty. Used	Description	Fig.	Part No.	Qty. Used	Description
1	390-01400-01	1	STATOR, compl. (After #5008422)	11	385-54381-03	1	SUPPORT RING
	390-01300-11	1	STATOR, compl.	12	386-59982-08	4	BOLT (M6 X 115MM)
	390-01300-01	1	STATOR, compl.	13	003-10060-00	4	WASHER
2	390-01000-01	1	ROTOR, compl. (Incl. Fig. 3)	14	003-20060-00	4	SPRING WASHER
3	354-58204-08	1	BALL BEARING (6205ZZ)	15	390-55001-03	1	END COVER
4	367-58008-08	1	THROUGH BOLT (M10 X 240MM)	16	388-55001-13	1	END COVER
5	003-12100-00	1	WASHER	17	011-00600-10	4	FLANGE BOLT
6	003-20100-00	1	SPRING WASHER	18	388-55101-03	1	FRONT PROTECTOR
7	390-54101-13	1	FRONT COVER	20	015-20500-10	4	TAPPING SCREW
8	001-13082-00	4	BOLT AND WASHER ASS'Y	21	390-05001-03	1	BUSHING
9	390-54001-01	1	REAR COVER compl.	22	002-38080-00	2	FLANGE NUT
10	001-14062-50	4	BOLT AND WASHER ASS'Y	23	056-60001-70	1	CLAMP
					056-60002-50	2	CLAMP For G5501R

2-2) PIPE FRAME AND FUEL TANK, G5500R

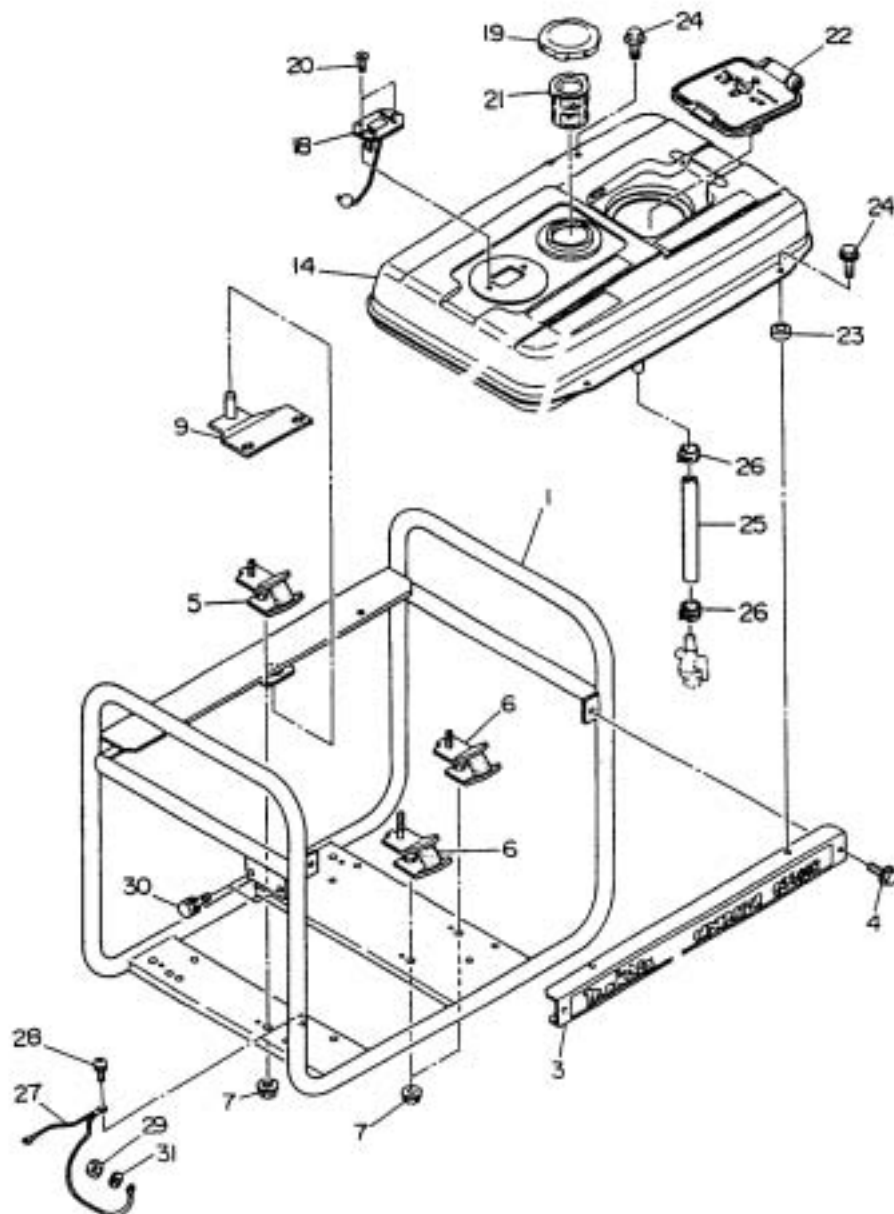


Fig.	Part No.	Qty. Used	Description	Fig.	Part No.	Qty. Used	Description
1	390-71101-01	1	PIPE FRAME, compl.	23	391-39000-13	4	RUBBER WASHER (USE 011-00602-20 FLANGE BOLT) (After #5004998)
3	390-72101-01	1	SIDE PLATE, compl.				
4	011-00600-80	2	FLANGE BOLT				
5	377-37000-11	2	RUBBER MOUNT UNIT, generator side				
	377-37000-01	2	RUBBER MOUNT UNIT, generator side	24	011-00602-20	4	FLANGE BOLT (After #5004998)
6	377-37001-11	4	RUBBER MOUNT UNIT, engine side				
	377-37001-01	4	RUBBER MOUNT UNIT, engine side				
7	002-38080-00	6	FLANGE NUT	25	085-11100-00	1	RUBBER PIPE (11.5 X 17.5 X 230MM)
9	390-54412-11	1	STOPPER PLATE, compl.	26	056-11700-10	2	HOSE CLAMP
14	224-60851-11	1	FUEL TANK, compl.	27	390-54415-01	1	EARTH CORD, compl.
18	064-80003-00	1	FUEL GAUGE, compl.				
19	043-04300-15	1	FUEL TANK CAP, compl.	28	390-54415-08	1	EARTH CORD
20	014-50500-40	2	SCREW, COUNTER HEAD	29	378-39100-01	1	SCREW AND WASHER ASS'Y (M5 X 10MM)
21	064-13600-10	1	FUEL FILTER	29	002-19040-00	1	NUT
22	227-66101-03	1	PLUG COVER	30	001-14061-60	2	BOLT AND WASHER ASS'Y
				31	003-20040-00	1	SPRING WASHER (After #5004518)

3-4) CONTROL BOX, G5500R (UP TO #5006421)

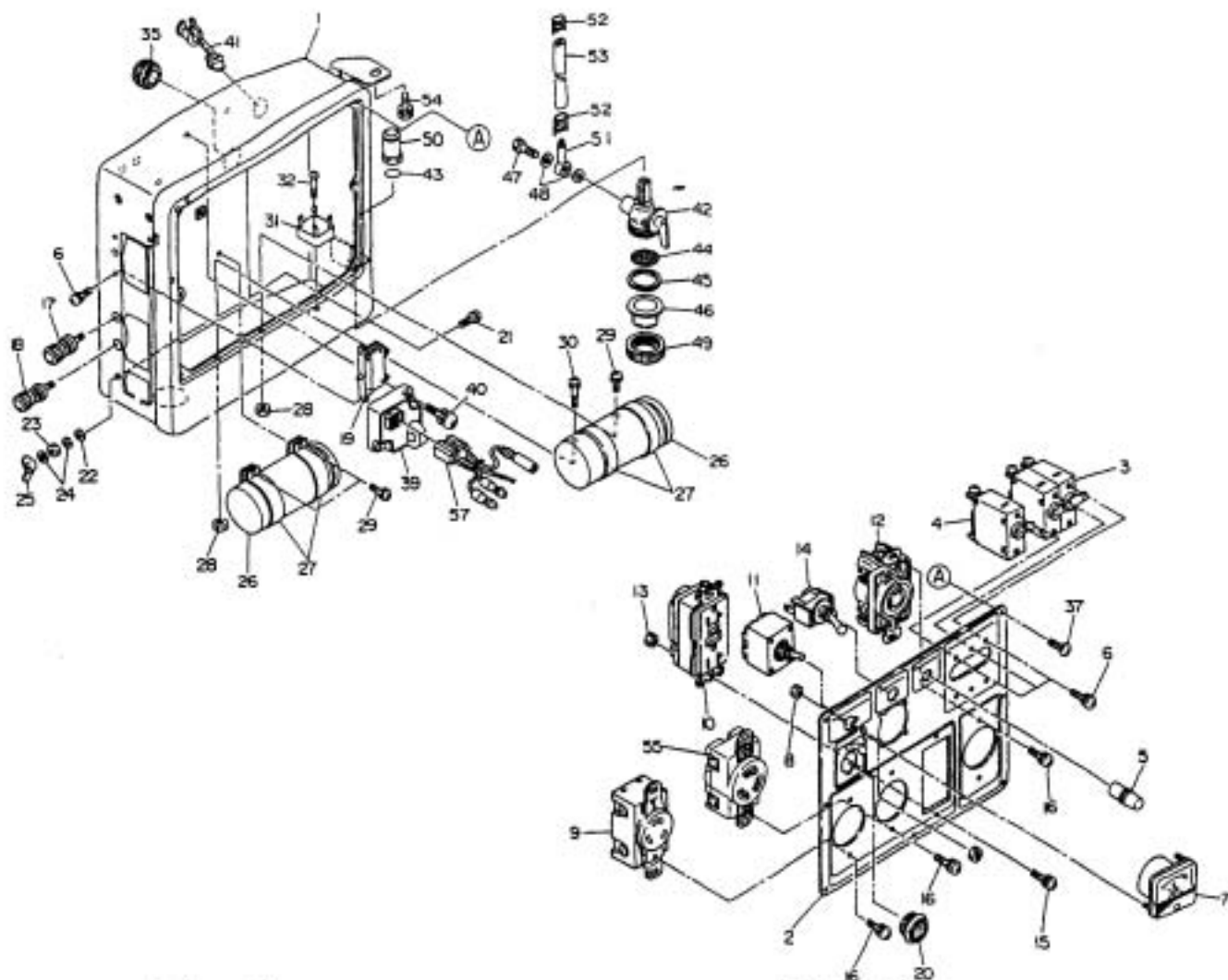


Fig.	Part No.	Qty. Used	Description	Fig.	Part No.	Qty. Used	Description
1	390-80002-11	1	CONTROL BOX, compl.	28	002-17040-00	2	NUT
2	390-81051-11	1	CONTROL PANEL, compl.	29	004-35041-00	3	SCREW AND WASHER ASS'Y
3	390-45660-08	1	NO FUSE BREAKER (22A X 2)	30	389-59989-08	1	SCREW AND WASHER ASS'Y (M4X16MM)
4	392-43004-03	1	CIRCUIT BREAKER (250V-30A)	31	353-45804-08	1	DIODE STACK ASS'Y
5	320-75173-08	1	NEON LAMP	32	015-00400-70	1	TAPPING SCREW
6	004-35030-60	8	SCREW AND WASHER ASS'Y	35	024-11500-10	1	GROMMET
7	391-47900-11	1	AC VOLT METER	37	353-49904-08	8	TAPPING SCREW (M4 X 10MM)
	391-47900-01	1	AC VOLT METER	39	KU3-11015-01	1	IDLE CONTROL UNIT, compl.
8	002-17030-00	2	NUT		KU3-11010-01	1	IDLE CONTROL UNIT, compl.
9	356-45711-08	1	AC RECEPTACLE (125V-30A)	40	004-35062-00	2	SCREW AND WASHER ASS'Y
10	388-85001-01	1	AC RECEPTACLE (125V-20A)	41	363-56000-08	1	CORD BUSH
11	355-45613-11	1	SWITCH ASS'Y	42	064-20023-11	1	FUEL STRAINER ASS'Y (Incl. Fig.42 thru 49)
12	353-45724-08	1	AC RECEPTACLE (125/250V-20A)	43	064-20003-30	1	O RING
13	002-17040-00	2	NUT	44	064-20002-20	1	FILTER
14	344-45615-08	1	SWITCH ASS'Y	45	064-20002-30	1	PACKING
15	004-35041-00	2	SCREW AND WASHER ASS'Y	46	064-20019-10	1	CUP
16	356-59937-08	6	SCREW	47	064-20002-40	1	BANJO BOLT
17	363-45701-08	1	TERMINAL BOLT (Color:RED)	48	064-20002-50	2	FIBER PACKING
18	363-45700-08	1	TERMINAL BOLT (Color:BLACK)	49	064-20024-10	1	LOCK NUT
19	352-45620-08	1	CIRCUIT BREAKER (10A)	50	053-30900-20	1	NUT, JOINT
20	389-47552-08	1	GROMMET	51	052-10700-42	1	BANJO
21	356-49907-08	1	SCREW (M5 X 14MM)	52	056-11100-20	2	HOSE CLAMP
22	353-49903-08	1	WASHER	53	085-10600-00	1	RUBBER PIPE (6 X 12 X 160MM)
23	353-49902-08	1	NUT (M5)	54	001-14061-60	1	BOLT AND WASHER ASS'Y
24	332-00050-08	2	SPRING WASHER	55	389-85001-01	1	AC RECEPTACLE (125V-20A)
25	353-49901-08	1	WING NUT (M5)	57	389-35001-01	1	WIRE, compl. idle control
26	390-05001-01	2	CONDENSER, compl.				
27	380-47531-08	4	CONDENSER BRACKET, compl.				

3-5) CONTROL BOX, G5500R (AFTER #5006422)

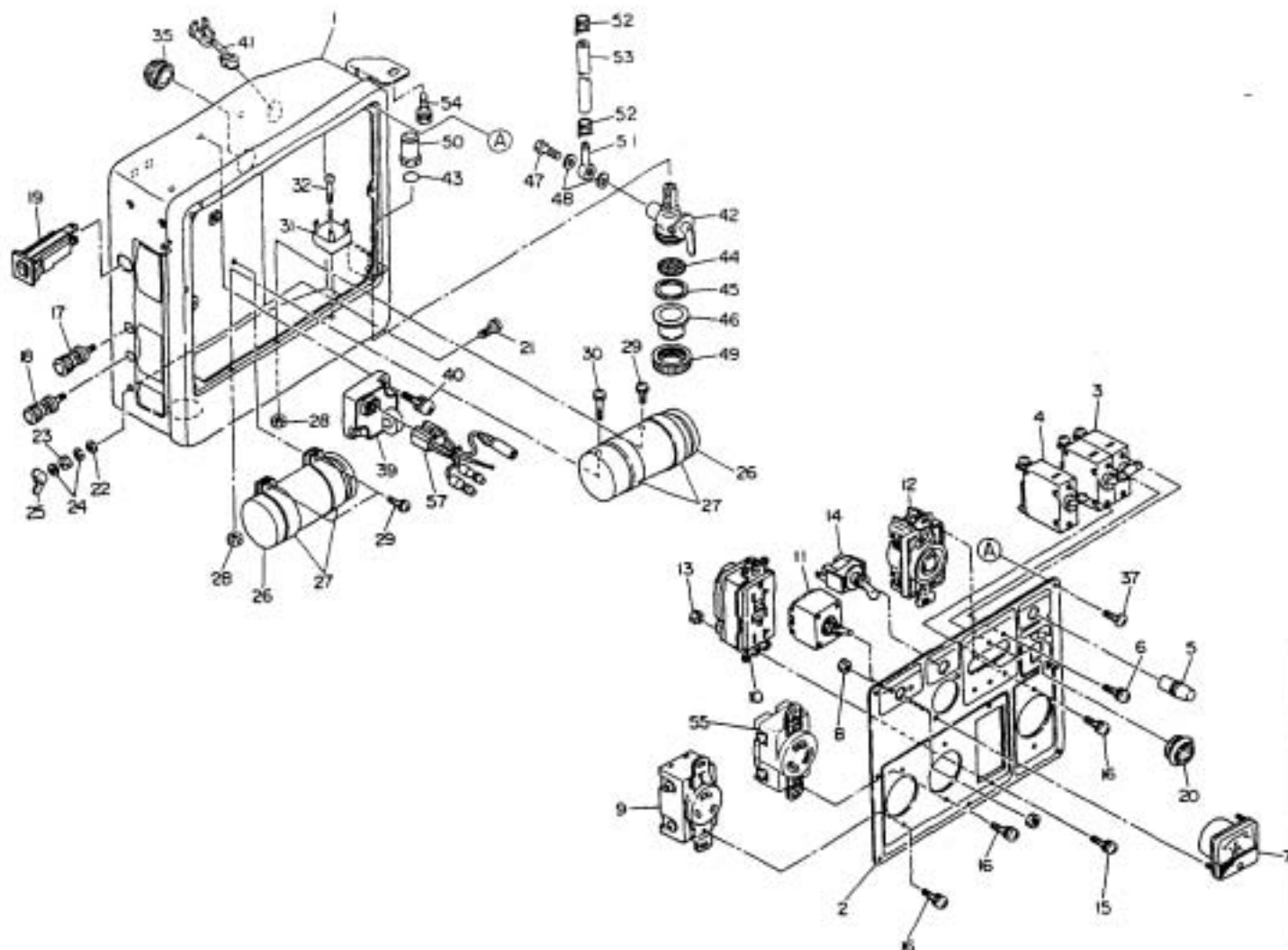


Fig.	Part No.	Qty. Used	Description	Fig.	Part No.	Qty. Used	Description
1	390-80002-21	1	CONTROL BOX, compl.	28	002-17040-00	2	NUT
2	390-81051-31	1	CONTROL PANEL, compl.	29	004-35041-00	3	SCREW AND WASHER ASS'Y
3	390-85001-01	1	CIRCUIT BREAKER (22A X 2)	30	389-59989-08	1	SCREW AND WASHER ASS'Y (M4 X 16MM)
4	390-45673-08	1	CIRCUIT BREAKER (250V-30A)	31	353-45804-08	1	DIODE STACK ASS'Y
5	320-75173-08	1	NEON LAMP	32	015-00400-70	1	TAPPING SCREW
6	004-35030-60	6	SCREW AND WASHER ASS'Y	35	024-11500-10	1	GROMMET
7	391-47900-11	1	AC VOLT METER	37	353-49804-08	8	TAPPING SCREW (M4 X 10MM)
8	002-17030-00	2	NUT	39	KU3-11015-01	1	IDLE CONTROL UNIT, compl.
9	356-45711-08	1	AC RECEPTACLE (125V-30A)	40	004-35062-00	2	SCREW AND WASHER ASS'Y
10	388-85001-01	1	AC RECEPTACLE (125V-20A)	41	363-56000-08	1	CORD BUSH
11	389-85501-01	1	SWITCH ASS'Y	42	064-20023-11	1	FUEL STRAINER ASS'Y (Incl. Fig. 42 thru 49)
12	353-45724-08	1	AC RECEPTACLE (125/250V-20A)	43	064-20003-30	1	O RING
13	002-17040-00	2	NUT	44	064-20002-20	1	FILTER
14	344-45615-08	1	SWITCH ASS'Y	45	064-20002-30	1	PACKING
15	004-35041-00	2	SCREW AND WASHER ASS'Y	46	064-20019-10	1	CUP
16	356-59937-08	6	SCREW	47	064-20002-40	1	BANJO BOLT
17	363-45701-08	1	TERMINAL BOLT (Color:RED)	48	064-20002-50	2	FIBER PACKING
18	363-45700-08	1	TERMINAL BOLT (Color:BLACK)	49	064-20024-10	1	LOCK NUT
19	388-87002-01	1	CIRCUIT BREAKER (10A)	50	053-30900-20	1	NUT, JOINT
20	389-47552-08	1	GROMMET	51	052-10700-42	1	BANJO
21	388-88001-03	1	SCREW (M5)	52	056-11100-20	2	HOSE CLAMP
22	353-49903-08	1	WASHER	53	085-10600-00	1	RUBBER PIPE (6X12X160MM)
23	353-49902-08	1	NUT (M5)	54	001-14061-60	1	BOLT AND WASHER ASS'Y
24	332-00050-08	2	SPRING WASHER	55	389-85001-01	1	AC RECEPTACLE (125V-20A)
25	353-49901-08	1	WING NUT (M5)	57	389-35001-01	1	WIRE, compl. idle control
26	390-05001-01	2	CONDENSER, compl.				
27	380-47531-08	4	CONDENSER BRACKET, compl.				

4) CRANKCASE AND CYLINDER HEAD

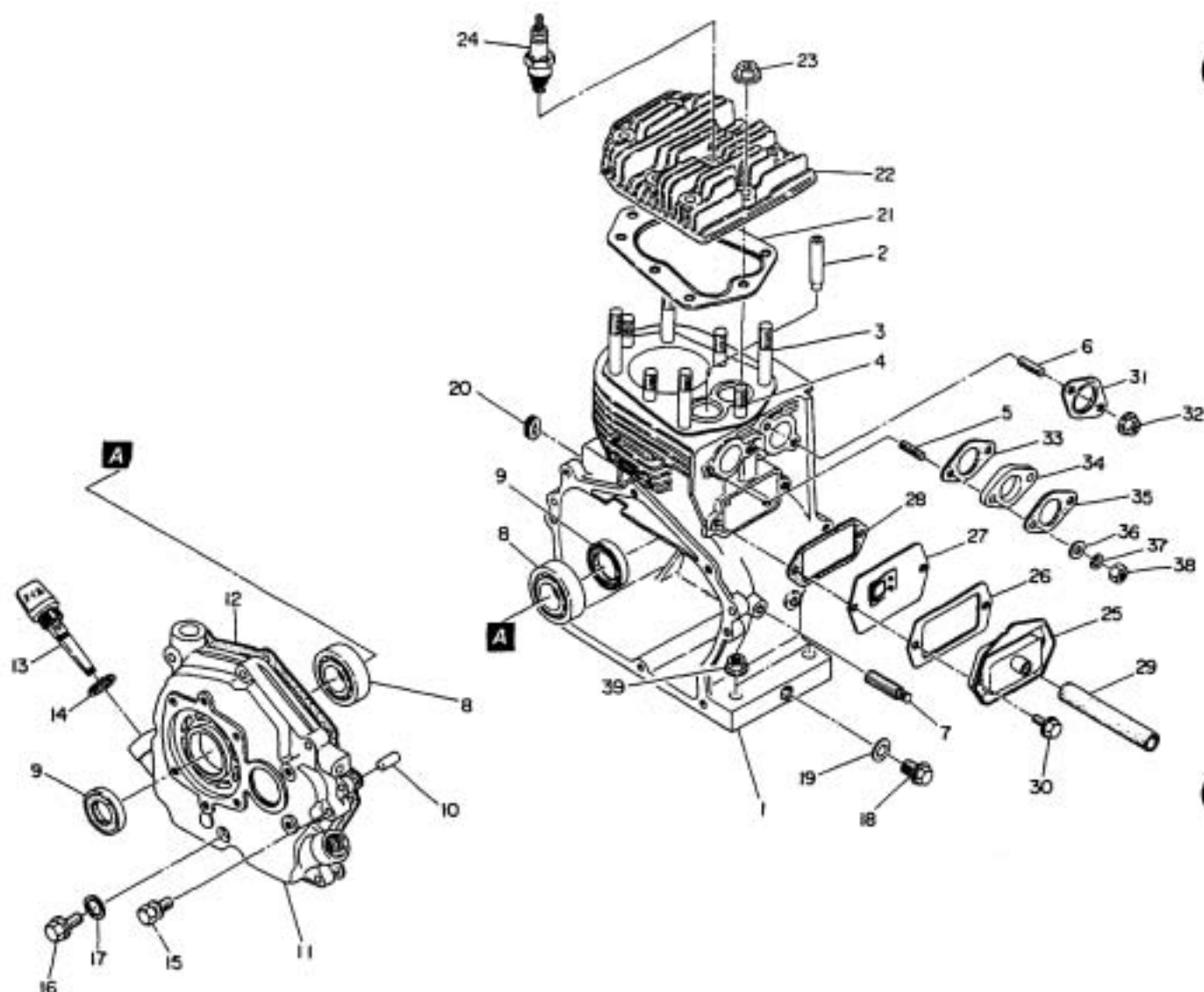


Fig.	Part No.	Qty. Used	Description	Fig.	Part No.	Qty. Used	Description
1	224-10201-01	1	CRANKCASE, compl. (Incl. Fig. 2 thru 10)	20	224-75501-03	1	GROMMET
	224-10202-01	1	CRANKCASE, compl. (Incl. Fig. 2 Thru 10)	21	224-15101-03	1	GASKET, HEAD
2	224-14202-03	2	VALVE GUIDE, OVER-SIZE	22	224-13401-03	1	CYLINDER HEAD
3	010-51002-80	4	STUD, CYLINDER HEAD	23	002-38100-00	8	FLANGE NUT
4	010-51002-70	4	STUD, CYLINDER HEAD	24	065-01402-70	1	SPARK PLUG (NGK BPR4HS)
5	010-50602-00	2	STUD, CARBURETOR	25	224-14301-11	1	TAPPET COVER, compl.
6	010-50802-90	2	STUD, MUFFLER	26	224-15301-03	1	GASKET, TAPPET COVER
7	010-50800-31	1	STUD, SPEED CONTROL	27	224-14401-01	1	BREATHER PLATE, compl.
8	060-03500-10	2	BALL BEARING (BB 6207C3)	28	224-15401-03	1	GASKET, TAPPET COVER
9	044-03500-90	2	OIL SEAL (TB 35 X 48 X 8MM)	29	085-11200-00	1	RUBBER PIPE (12.5 X 16 X 100MM)
10	005-26081-80	2	DOWEL PIN	30	011-00600-30	2	FLANGE BOLT
11	224-11004-01	1	MAIN BEARING COVER, compl. (Incl. Fig. 8 and 9)	31	224-35101-03	1	GASKET, COMPL. EXHAUST
12	224-15201-03	1	GASKET, MAIN BEARING COVER	32	018-00800-10	2	FLANGE NUT
13	224-63601-03	1	OIL GAUGE	33	224-35202-03	1	GASKET, INSULATOR
14	021-32000-10	1	GASKET	34	224-32901-03	1	INSULATOR
15	001-14083-50	8	BOLT AND WASHER ASS'Y	35	208-36003-03	1	GASKET 2, INSULATOR
16	001-65061-20	1	BOLT	36	003-10060-00	2	WASHER
17	003-70060-00	1	GASKET, ALUMINIUM	37	003-20060-00	2	SPRING WASHER
18	040-11400-30	2	PLUG	38	002-28060-00	2	NUT
19	021-11400-20	2	GASKET	39	002-38080-00	4	FLANGE NUT
				*	224-99001-07	1	GASKET SET (Incl. Fig. 12, 14, 21, 26, 28, 31, 33 and 35)

5) CRANKSHAFT, CAMSHAFT AND PISTON

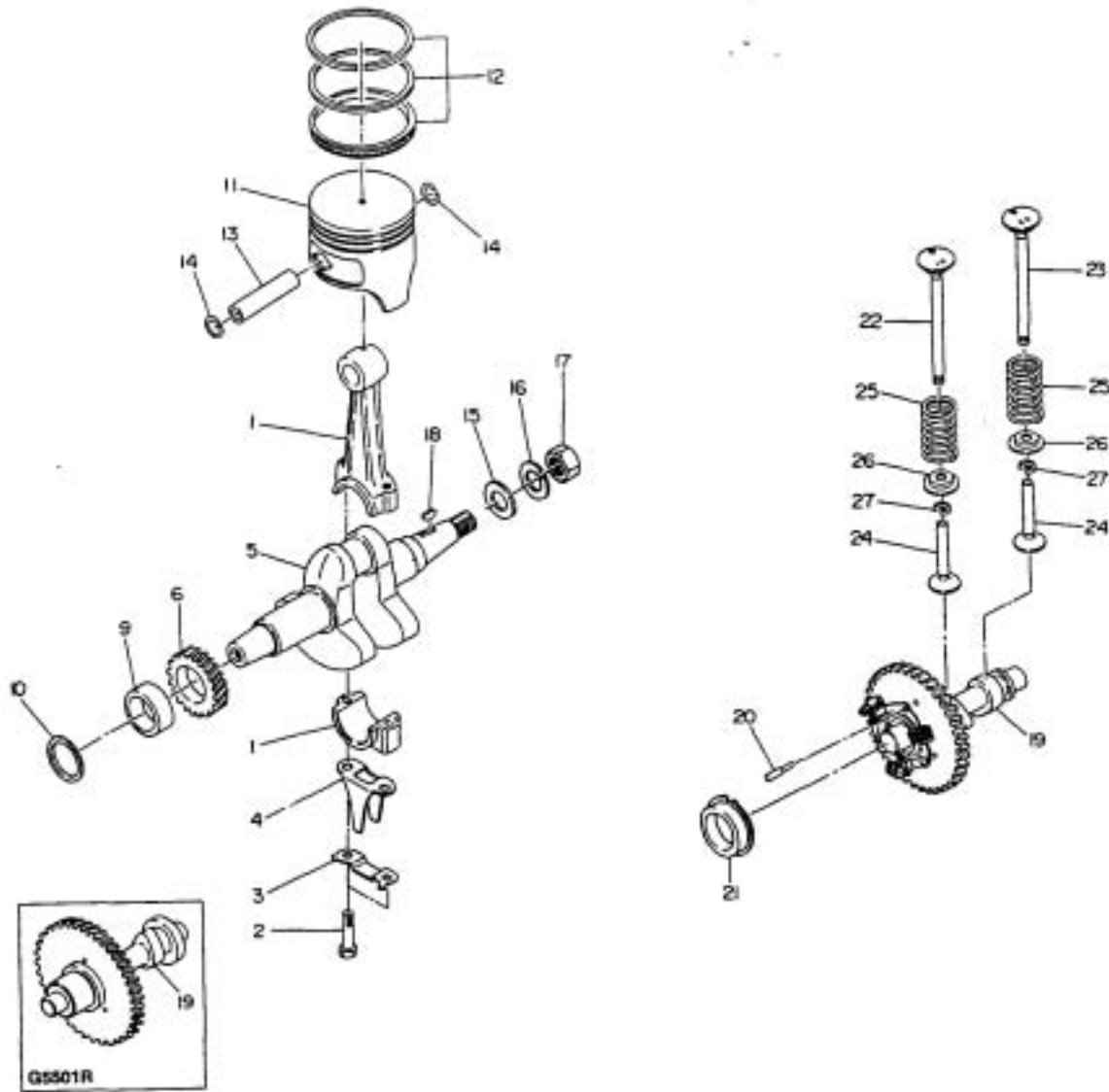


Fig.	Part No.	Qty. Used	Description	Fig.	Part No.	Qty. Used	Description
1	224-22501-10	1	CONNECTING ROD ASS'Y (Incl. Fig. 2 thru 4)	12	224-23503-17	1	PISTON RING SET (OVER SIZE 0.50MM)
2	217-23001-13	2	CONNECTING ROD BOLT	13	224-23301-03	1	PISTON PIN
3	224-23201-13	1	LOCK WASHER	14	056-52200-11	2	CLIP
4	224-23102-03	1	OIL SCRAPER	15	003-10180-00	1	WASHER
5	224-20702-11	1	CRANKSHAFT, compl. (INCL. FIG. 6)	16	003-20180-00	1	SPRING WASHER
9	224-25103-13	1	SPACER	17	002-18180-00	1	NUT
	224-25103-03	1	SPACER	18	005-32044-01	1	WOODRUFF KEY
	023-03500-10	1	SPACER (T = 1.05) select one piece only	19	224-31901-01	1	CAMSHAFT, compl. (Incl. Fig. 20) For G5500R
10	023-03500-60	1	SPACER (T = 1.20) select one piece only	19	224-31701-01	1	CAMSHAFT, compl. (Incl. Fig. 20) For G5501R
	023-03500-70	1	SPACER (T = 1.35) select one piece only	20	030-94000-81	1	LOCK PIN For G5500R
11	224-23401-23	1	PISTON (STD.)	20	030-94000-61	1	LOCK PIN For G5501R
	224-23402-23	1	PISTON (OVER SIZE 0.25MM)	21	224-41901-03	1	GOVERNOR SLEEVE
	224-23403-23	1	PISTON (OVER SIZE 0.50MM)	22	224-33401-03	1	INTAKE VALVE
12	224-23501-17	1	PISTON RING SET (STD.)	23	224-33501-03	1	EXHAUST VALVE
	224-23502-17	1	PISTON RING SET (OVER SIZE 0.25MM)	24	224-33301-03	2	TAPPET
				25	208-33601-13	2	VALVE SPRING
				26	208-33701-03	2	SPRING RETAINER
				27	217-33801-03	2	RETAINER LOCK

6) GOVERNOR

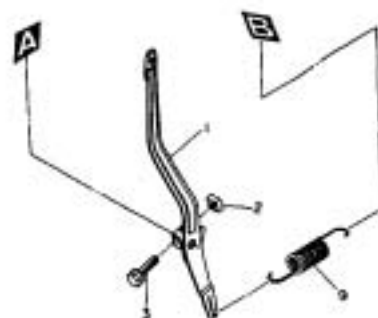
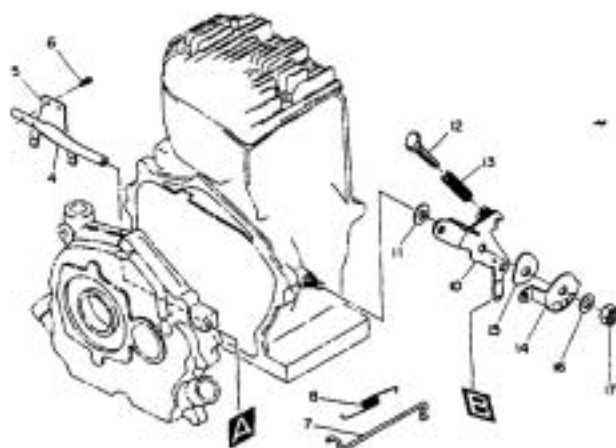


Fig.	Part No.	Qty. Used	Description	Fig.	Part No.	Qty. Used	Description
1	224-42306-11	1	GOVERNOR LEVER, compl.	10	224-43307-01	1	SPEED CONTROL, compl.
2	018-60600-20	1	NUT	11	021-70800-10	1	FRICTION WASHER
3	001-14062-50	1	BOLT AND WASHER ASS'Y	12	001-65065-50	1	BOLT
4	224-42201-03	1	GOVERNOR SHAFT	13	220-48001-13	1	CONTROL SPRING
5	224-42101-13	1	GOVERNOR YOKE	14	220-48001-01	1	CONTROL SPRING
	224-42101-03	1	GOVERNOR YOKE	15	207-43505-11	1	STOP PLATE
6	004-35040-80	2	SCREW AND WASHER ASS'Y	16	020-00800-10	1	WASHER
7	224-42701-11	1	GOVERNOR ROD	17	003-11080-00	1	WASHER
8	214-42801-01	1	ROD SPRING		017-00800-20	1	NUT, SELF LOCK
	224-42501-13	1	GOVERNOR SPRING		017-60800-20	1	NUT, SELF LOCK
9	224-42501-01	1	GOVERNOR SPRING				

7) BLOWER HOUSING AND MUFFLER

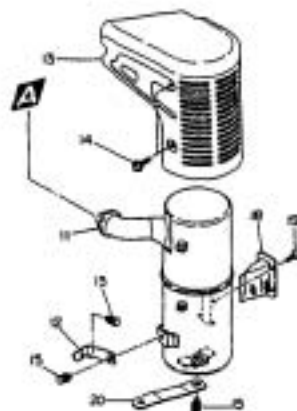
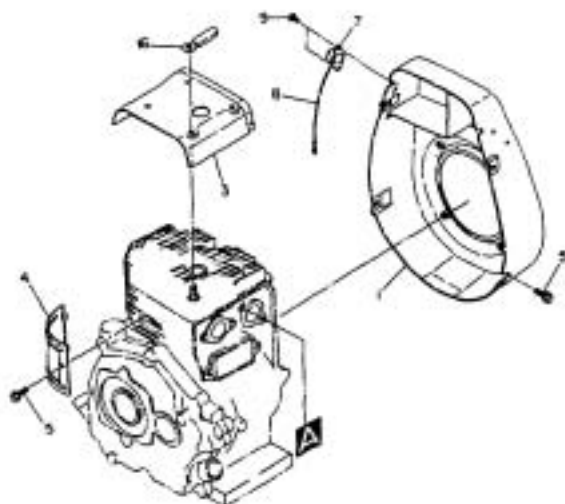


Fig.	Part No.	Qty. Used	Description	Fig.	Part No.	Qty. Used	Description
1	224-51502-06	1	BLOWER HOUSING, compl.	12	224-35021-11	1	MUFFLER BRACKET
3	224-52611-01	1	HEAD COVER, compl.	13	224-34221-01	1	MUFFLER COVER, compl.
4	224-52701-03	1	CYLINDER BAFFLE	14	011-00600-10	4	FLANGE BOLT
5	011-00600-10	5	FLANGE BOLT	15	001-11081-60	3	BOLT AND WASHER ASS'Y
7	066-20000-11	1	STOP BUTTON	16	056-60002-20	1	CLAMP
8	214-73201-01	1	WIRE 1, compl.	18	224-36501-01	1	SPARK ARRESTOR, compl.
9	015-00400-10	2	TAPPING SCREW	19	015-00400-40	4	TAPPING SCREW
11	224-30133-01	1	MUFFLER, compl.	20	224-35030-01	1	MUFFLER SUPPORT

8) AIR CLEANER, CARBURETOR AND SOLENOID

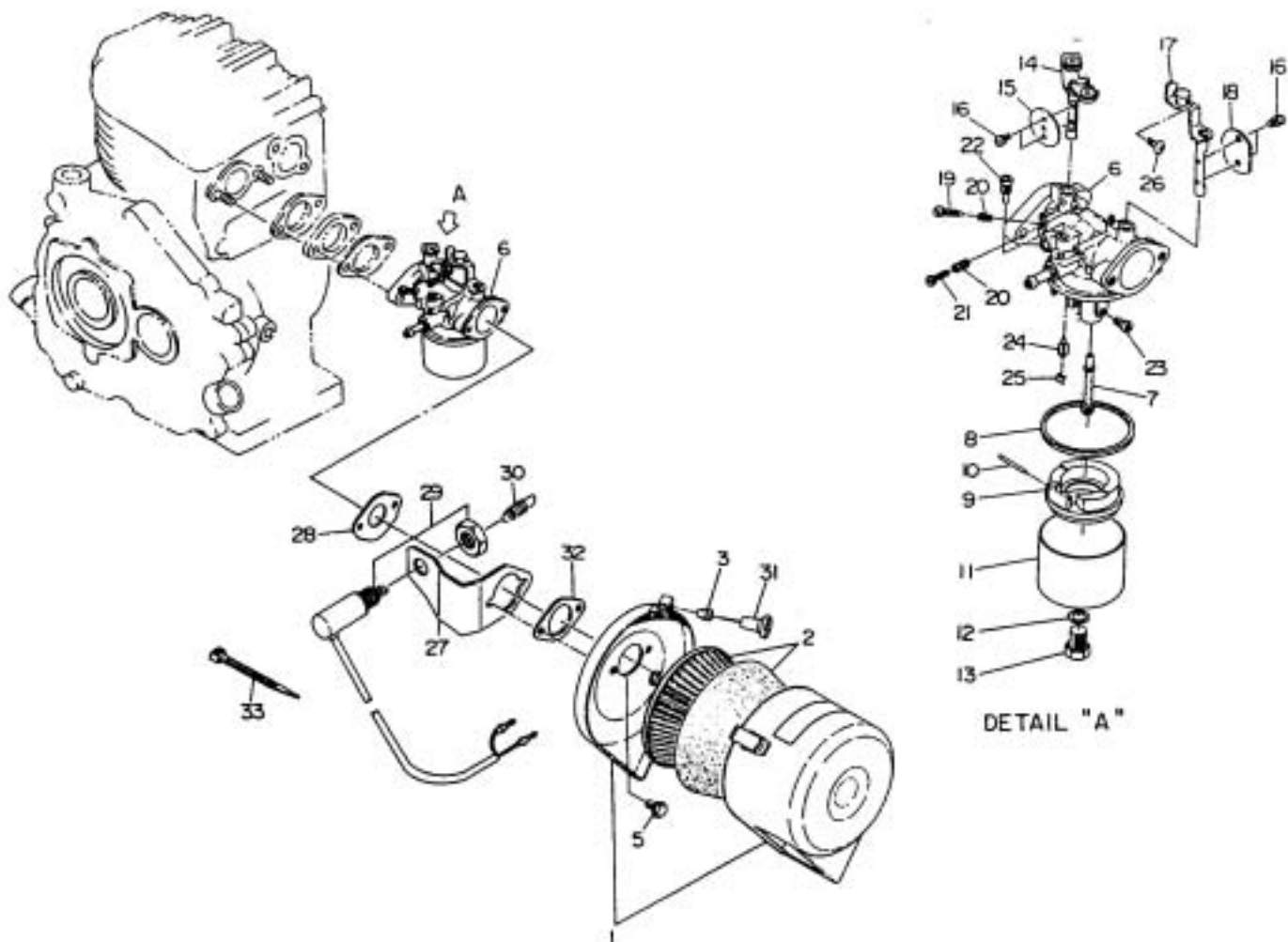


Fig.	Part No.	Qty. Used	Description	Fig.	Part No.	Qty. Used	Description
1	224-32609-00	1	AIR CLEANER ASS'Y (Incl. Fig. 2 thru 4 and 32)	20	206-62446-08	2	SPRING
2	207-32606-18	1	CLEANER ELEMENT SET	21	224-62452-08	1	SCREW
3	207-32690-08	1	GROMMET	22	224-62420-08	1	PILOT JET (#57.5)
5	001-10061-60	2	BOLT AND WASHER ASS'Y	23	109-62404-08	1	MAIN JET (#112.5)
6	224-62345-10	1	CARBURETOR ASS'Y (Incl. Fig. 7 thru 26)	24	224-62309-08	1	NEEDLE VALVE ASS'Y
7	224-62555-08	1	MAIN NOZZLE	25	224-62568-08	1	CLIP
8	206-62540-08	1	PACKING	26	209-62354-08	1	CROSS SCREW
9	224-62507-08	1	FLOAT ASS'Y	27	224-77109-01	1	BRACKET, SOLENOID, compl.
10	214-62515-08	1	FLOAT PIN	28	207-32721-08	1	PACKING
11	224-62562-08	1	FLOAT CHAMBER BODY	29	227-75501-00	1	SOLENOID ASS'Y (After #5001850)
12	207-62345-08	1	PACKING	29	227-75503-00	1	SOLENOID ASS'Y
13	224-62543-08	1	BOLT	30	234-78202-03	1	SPRING, SOLENOID
14	224-62572-08	1	SHAFT ASS'Y, THROTTLE	30	234-78202-01	1	SPRING, SOLENOID
15	224-62535-08	1	THROTTLE VALVE (#135)	31	207-43904-01	1	KNOB, compl.
16	209-62351-06	4	SCREW ASS'Y	32	207-32721-08	1	PACKING
17	224-62574-08	1	SHAFT ASS'Y, CHOKE	33	056-30000-20	1	WIRE BAND
18	224-62525-08	1	CHOKE VALVE		224-62345-17	1	CARBURETOR REPAIR KIT (Incl. Fig. 8, 12, 16, 19 thru 21, 24 and 25)
19	209-62305-08	1	PILOT SCREW				

9) MAGNETO

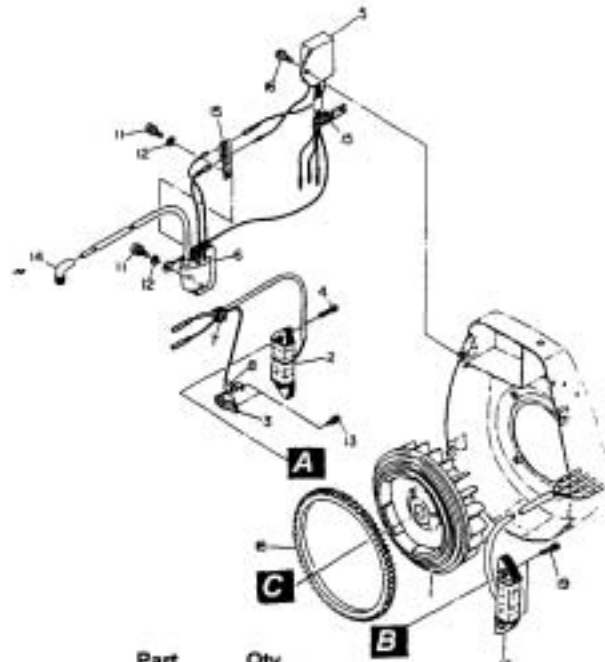
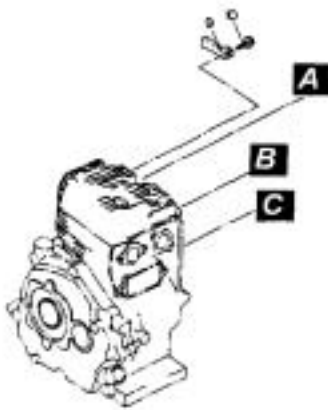


Fig.	Part No.	Qty. Used	Description	Fig.	Part No.	Qty. Used	Description
1	224-70123-08	1	FLYWHEEL	11	004-35062-00	2	SCREW AND WASHER ASS'Y
2	224-70135-08	1	EXCITER COIL	12	003-10060-00	2	WASHER
3	224-70150-08	1	PULSER COIL	13	004-35041-20	2	SCREW AND WASHER ASS'Y
4	004-35062-50	2	SCREW AND WASHER ASS'Y	14	065-50001-10	1	SPARK PLUG CAP
5	224-72250-01	1	KTR UNIT	15	056-60002-50	2	CLAMP
6	224-72205-11	1	IGNITION COIL UNIT, compl.	16	011-00600-50	1	FLANGE BOLT
7	024-10900-50	1	GROMMET	17	224-70140-08	1	LAMP COIL
8	205-78201-01	1	CLAMP, compl.	18	224-71002-03	1	RING GEAR For G5501R
9	224-77002-01	1	WIRE CLAMP, compl.	19	004-35063-00	2	SCREW AND WASHER ASS'Y
10	011-00600-20	1	FLANGE BOLT				

10) RECOIL STARTER

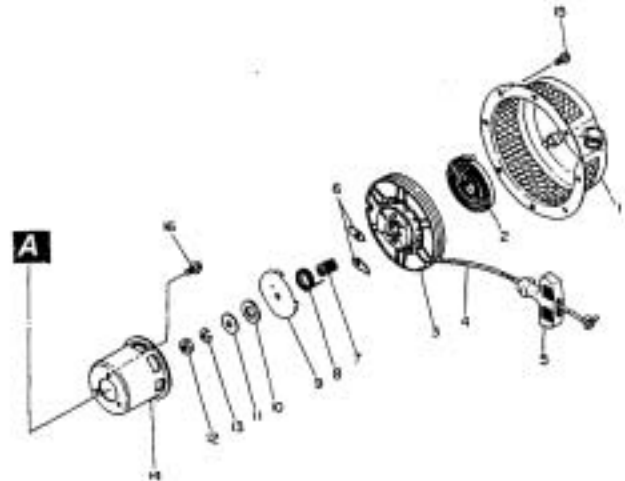
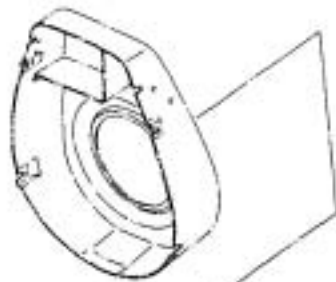


Fig.	Part No.	Qty. Used	Description	Fig.	Part No.	Qty. Used	Description
1	224-50102-00	1	RECOIL STARTER ASS'Y (Incl. Fig. 2 thru 14)	10	224-50155-08	1	THRUST WASHER B
2	224-50115-08	1	SPIRAL SPRING	11	209-50150-08	1	THRUST WASHER
3	224-50120-08	1	REEL	12	149-50152-08	1	NUT
4	207-50110-08	1	STARTER ROPE	13	129-50155-08	1	SPRING WASHER
5	206-50101-08	1	STARTER KNOB	14	224-50145-08	1	STARTING PULLEY
6	224-50125-08	2	RATCHET	15	011-00600-10	4	FLANGE BOLT
7	209-50130-08	1	FRICTION SPRING	16	001-65081-20	3	BOLT
8	224-50135-08	1	RETURN SPRING	*	224-50103-07	1	RECOIL HARDWARE KIT (Incl. Fig. 6 thru 13)
9	209-50140-08	1	FRICTION PLATE				

11) OIL SENSOR

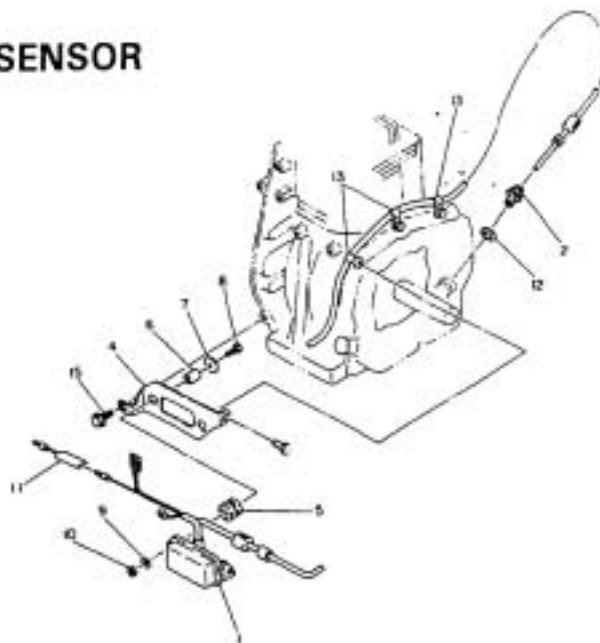


Fig.	Part No.	Qty. Used	Description	Fig.	Part No.	Qty. Used	Description
1	224-76204-11	1	OIL LEVEL SENSOR, compl.	10	002-17060-00	2	NUT
2	224-76064-03	1	JOINT	11	224-73113-01	1	WIRE 13, compl.
4	224-77104-01	1	BRACKET, OIL SENSOR	12	021-32000-10	1	GASKET
5	984-21080-20	2	GROMMET	13	056-60001-70	3	CLAMP
6	023-00601-80	2	SPACER	15	011-00600-20	1	FLANGE BOLT
7	020-00800-50	2	WASHER	16	224-76302-03	1	OIL GUIDE PLATE
8	001-65063-00	2	BOLT	17	001-13081-60	2	BOLT AND WASHER ASS'Y
9	003-20060-00	2	SPRING WASHER				

12-1) STARTING MOTOR, G5501R (UP TO #5001849)

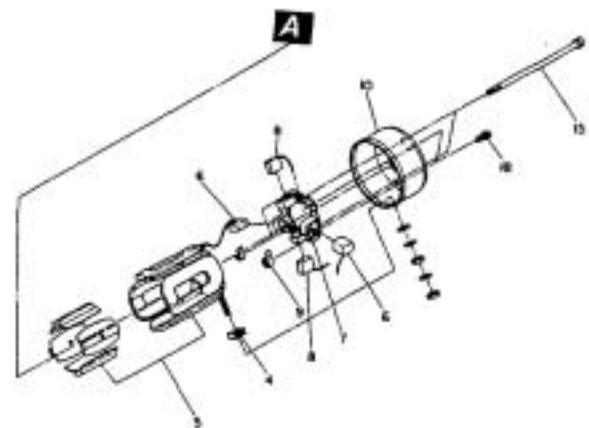
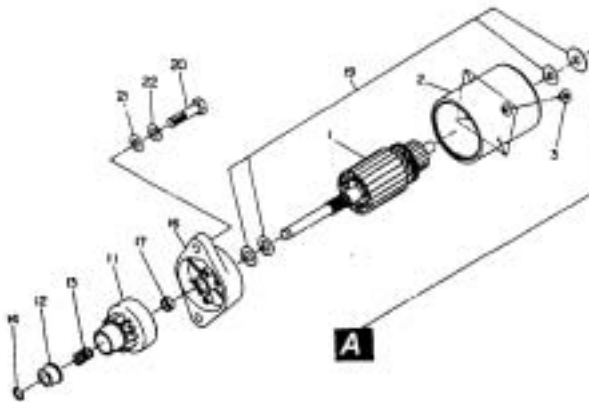


Fig.	Part No.	Qty. Used	Description	Fig.	Part No.	Qty. Used	Description
1	214-70502-10	1	STARTING MOTOR ASS'Y (Incl. * Fig. 2 thru 19)	14	214-70552-08	1	CLIP
6	214-70535-08	2	BRUSH (+)	15	210-70527-08	2	BOLT
7	214-70530-08	1	BRUSH HOLDER ASS'Y	16	214-70501-08	1	FRONT COVER ASS'Y
8	214-70540-08	2	BRUSH (-)	17	214-70560-08	1	FRONT METAL
9	113-70545-08	4	BRUSH SPRING	18	004-31041-20	2	SCREW
10	113-70505-08	1	REAR COVER ASS'Y	19	214-70555-08	1	WASHER KIT
11	214-70559-08	1	PINION ASS'Y	20	214-79007-01	2	BOLT, STARTER
12	214-70551-08	1	PINION STOPPER	21	003-10080-00	2	WASHER
13	214-70554-08	1	RETURN SPRING	22	003-20080-00	2	SPRING WASHER