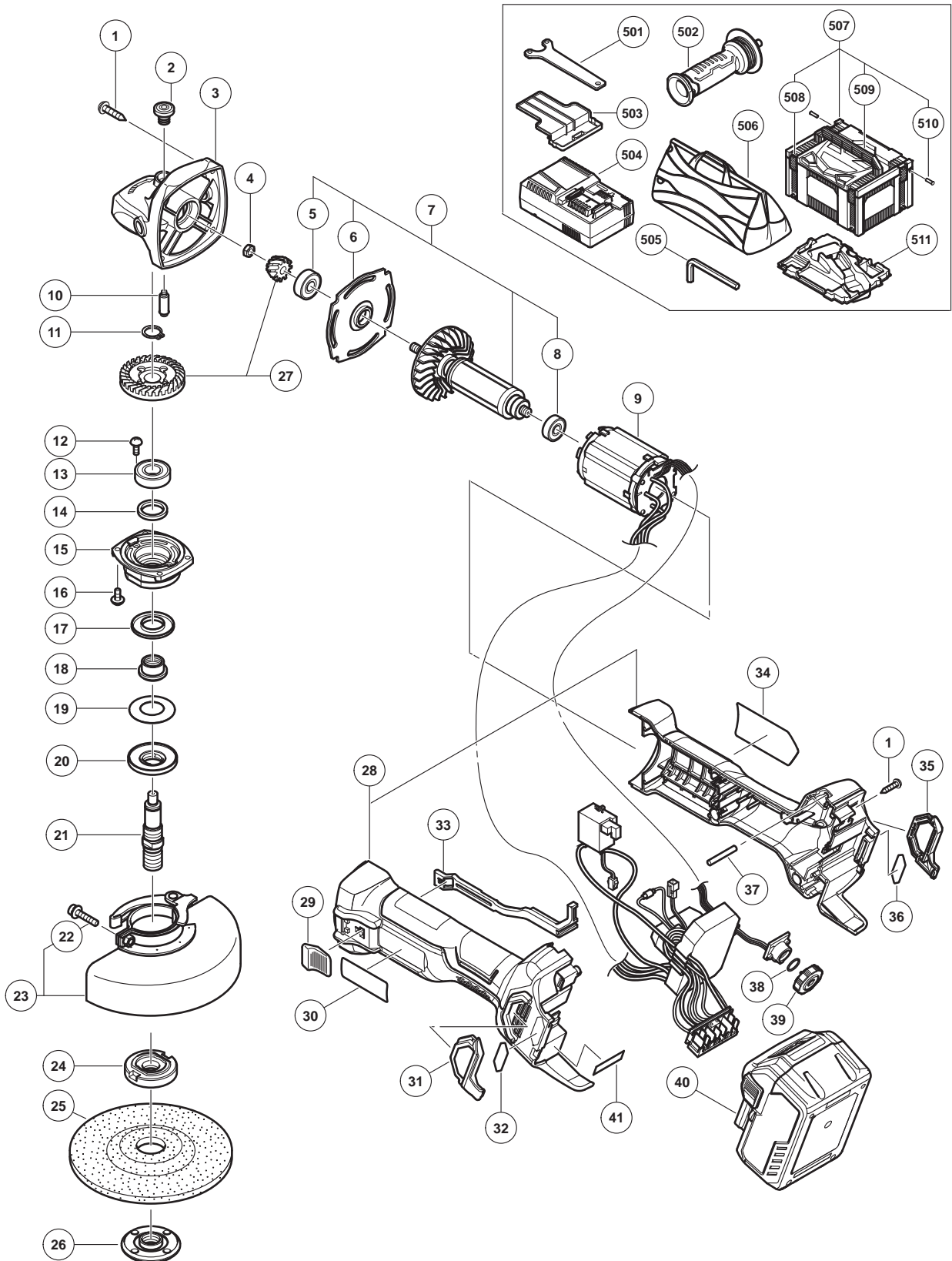


ELECTRIC TOOL PARTS LIST

■ CORDLESS DISC GRINDER Model G 3612DA

2017-12-22
(E1)



PARTS

G 3612DA

ITEM NO.	CODE NO.	DESCRIPTION	NO. USED	REMARKS	
1	328643	TAPPING SCREW (W/FLANGE) D4 X 23 (BLACK)	9		
2	301944	PUSHING BUTTON	1		
3	338332	GEAR COVER ASS'Y	1	INCLUD.2,10	
4	309191	SPECIAL NUT M6	1		
5	338337	BALL BEARING 608SS	1		
6	334940	BEARING HOLDER	1		
7	361075	ROTOR ASS'Y	1	INCLUD.5,6,8	
8	607VVC	BALL BEARING 607VV	1		
9	340986	WIRING SET	1		
10	301943	LOCK PIN	1		
11	939542	RETAINING RING FOR D12 SHAFT (10 PCS.)	1		
12	334942	SLOTTED HD. SCREW (SEAL LOCK) M4	2		
13	6001DD	BALL BEARING 6001DDCMPS2L	1		
14	372126	FELT PACKING	1		
15	372123	PACKING GLAND	1		
16	307127	SEAL LOCK SCREW (W/SP. WASHER) M4 X 12	4		
17	372183	FRINGER	1		
18	371672	SLEEVE (B)	1		
19	371673	BELLEVILLE SPRING (B)	1		
20	371674	SUPPORT BODY (B)	1		
*	21	373074	SPINDLE (C)	1	
*	21	373073	SPINDLE (G)	1	FOR USA,CAN
	22	316107	HEX. SOCKET HD. BOLT (W/WASHERS) M5 X 20	1	
	23	337229	WHEEL GUARD ASS'Y (TOOLLESS TYPE)	1	INCLUD.22
*	24	371677	WHEEL WASHER (C)	1	
*	24	373071	WHEEL WASHER (E)	1	FOR USA,CAN
	25	316821	D. C. WHEELS 115MM A36Q (25 PCS.)	1	
*	26	339579	WHEEL NUT M14	1	
*	26	937923P	WHEEL NUT 5/8"-11UNC	1	FOR USA,CAN
	27	338338	GEAR AND PINION SET	1	
	28	372105	HOUSING (A).(B) SET	1	
	29	314428	SLIDE KNOB	1	
	30		BRAND LABEL	1	
	31	372107	FILTER (A)	1	
	32		MV LABEL (A)	1	
	33	372106	SLIDE BAR	1	
	34		NAME PLATE	1	
	35	372108	FILTER (B)	1	
	36		MV LABEL (B)	1	
	37	338869	PIN	1	
	38	987105	O-RING (S-10)	1	
	39	372109	DIAL	1	
*	40	371750	BATTERY BSL 36A18 (EUROPE,AUS,NZL)	2	INCLUD.503
*	40	372121	BATTERY BSL 36B18 (USA,CAN)	1	INCLUD.503
*	41		CAUTION PLATE (USA)	1	FOR USA,CAN

