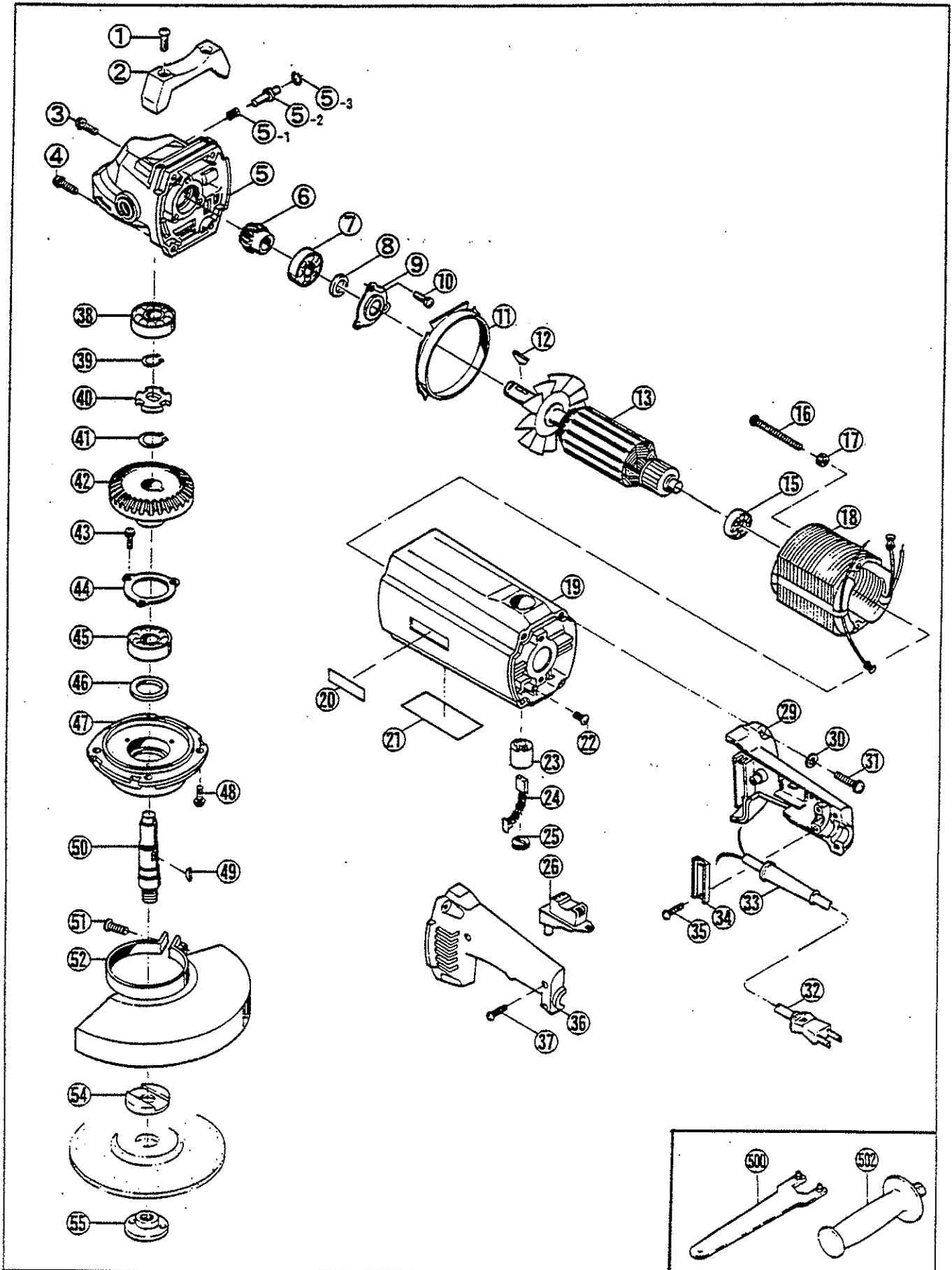


GRINDER

G-1800C, G-2300C, G-2300FC



**PARTS LIST FOR AFTER SALES SERVICE
MODEL G1800C, G2300, G2300FC**

REF	PART NO.	DESCRIPTION	QTY	REF	PART NO.	DESCRIPTION	QTY
1	9000615	PHILLIPS PAN SCREW M6X15	2	30	9560600	WASHER	4
2	6370068	TOOL REST	1	31	9020630	PHILLIPS PAN SCREW M6X30	4
3	9020540	PHILLIPS PAN SCREW M5X40	2	32	6520235	CORD ASS'Y AWG14X2X2	1
4	9020520	PHILLIPS PAN SCREW M5X20	2	33	6560047	CORD HOLDER	1
5	6080755	GEAR CASE	1	34	6560103	CORD CLAMP	1
5-1	6180090	COMPRESSION SPRING	1	35	9060414	TAPPING SCREW (B) M4X14	2
5-2	6120084	STOPPER PIN	1	36	6830534	HANDLE (B)	1
5-3	6100079	RETAINING RING R-13	1	37	9060425	TAPPING SCREW (B) M4X25	3
6	6200053	PINION GEAR G1800C	1	38	9846200	BALL BEARING #6200LLB	1
—	6200056	PINION GEAR G2300C	1	39	9511400	RETAINING RING S-14	1
—	6200059	PINION GEAR G2300F	1	40	6220027	STOPPER	1
7	9856201	BALL BEARING #6201LLU	1	41	9511700	RETAINING RING S-17	1
8	6900225	FELT WASHER	1	42	6200055	FINAL GEAR G1800C	1
9	6150629	CLAMP PLATE	1	—	6200058	FINAL GEAR G2300C	1
10	9020512	PHILLIPS PAN SCREW M5X12	3	—	6200060	FINAL GEAR G2300FC	1
11	6490110	FAN CASING	1	43	9020512	PHILLIPS PAN SCREW M5X12	3
12	6100630	WOODRUFF KEY	1	44	6151127	CLAMP PLATE	1
13	6030630	ARMATURE	1	45	9896203	BALL BEARING #6203LLH	1
15	9856200	BALL BEARING #6200LLU	1	46	6390027	FELT	1
16	6130337	HEX HEAD SCREW M5X85	2	47	6820220	GEAR CASE COVER	1
17	6150007	LOCK WASHER	2	48	9020520	PHILLIPS PAN SCREW M5X20	4
18	6500591	FIELD COIL	1	49	6100630	WOODRUFF KEY	1
19	6800554	MOTOR HOUSING	1	50	6110059	SPINDLE	1
20	6920006	"RYOBI" MARK	2	51	6131312	PHILLIPS PAN SCREW M6X20	1
21	6910973	NAME PLATE G1800C	1	52	6020071	WHEEL GUARD G1800C	1
—	6910979	NAME PLATE G2300C	1	—	6020072	WHEEL GUARD G2300C, G2300F	1
—	6910969	NAME PLATE G2300F	1	54	6940230	FLANGE	1
22	9000512	PHILLIPS PAN SCREW M5X12	2	55	6940227	CLAMP NUT	1
23	6570032	BRUSH HOLDER	2	—	8560026	TERMINAL R2-M4	4
24	6540363	CARBON BRUSH SET	1				
25	6570033	BRUSH CAP	2				
STANDARD ACCESSORIES							
26	6550450	TRIGGER SWITCH	1	500	6240363	LOCK-NUT WRENCH 35	1
29	6830527	HANDLE (A)	1	502	6830536	SIDE HANDLE	1

SERVICE NOTES: