

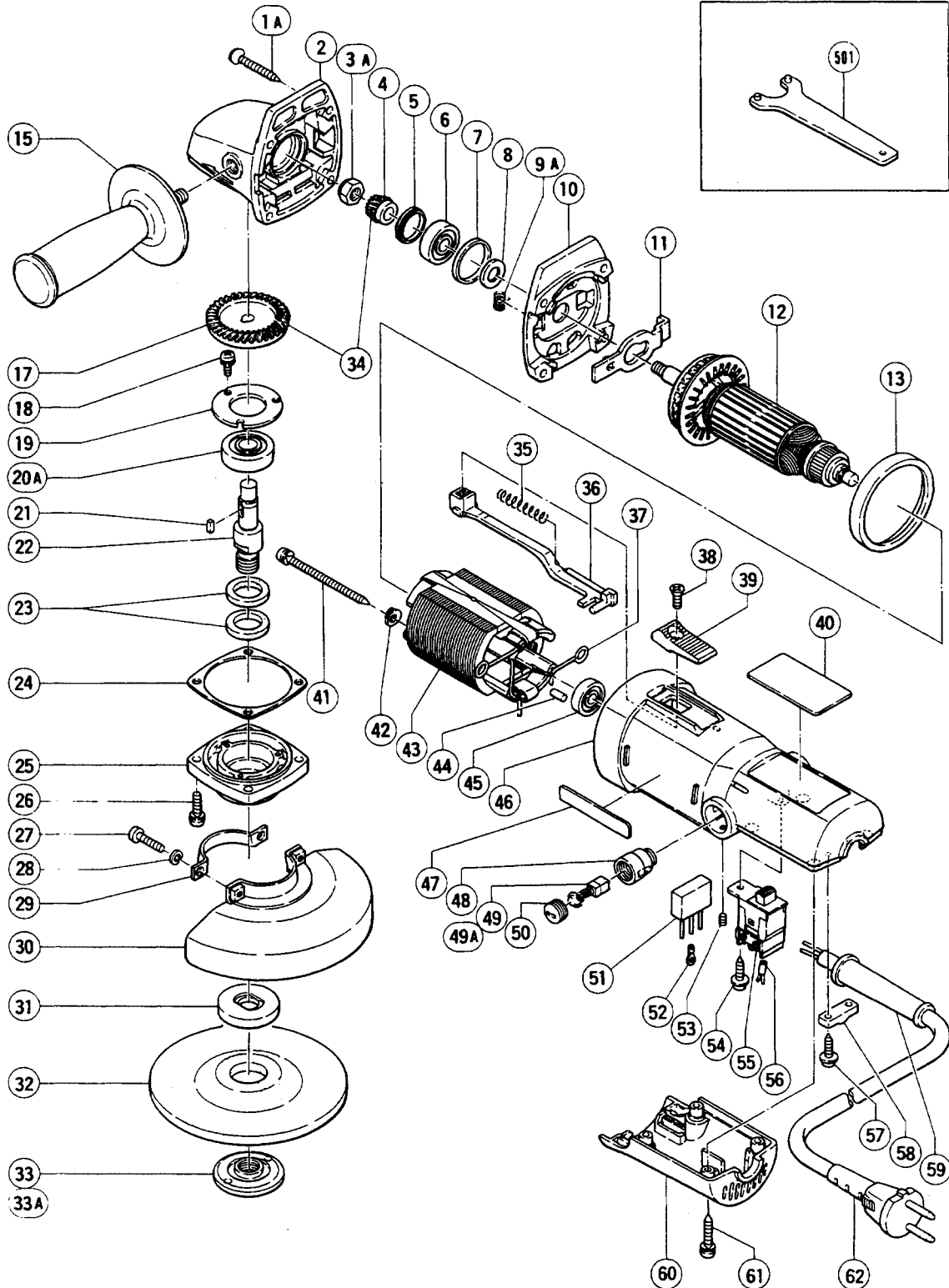
HITACHI

LIST NO. 0280

ELECTRIC TOOL PARTS LIST

■ DISC GRINDER
Model G 12SA

1994.1.7
(E4)



PARTS

G 12SA

ITEM NO.	CODE NO.	DESCRIPTION	NO. USED	REMARKS	
1A	957 - 580	TAPPING SCREW D5X30	4		
2	994 - 291	GEAR COVER	1		
3A	994 - 311	SEAL LOCK U - NUT M8	1		
4	994 - 293	PINION	1		
5	994 - 308	SEAL RING (A)	1		
6	629 - DDM	BALL BEARING 629DDMC3EAV2S	1		
7	957 - 754	RUBBER RING	1		
8	994 - 320	FELT	1		
9A	994 - 296	SPRING	1		
10	994 - 294	INNER COVER	1		
11	994 - 295	LOCK PLATE	1		
12	360 - 016U	ARMATURE ASS'Y 110V - 127V	1	INCLUD.6,45	
12	360 - 016E	ARMATURE 220V - 230V	1		
12	360 - 016F	ARMATURE 240V	1		
13	994 - 297	FAN GUIDE	1		
15	956 - 633	SIDE HANDLE	1		
17	994 - 300	GEAR	1		
18	987 - 201	SEAL LOCK SCREW (W/SP. WASHER) M4X10	3		
19	936 - 680	BEARING COVER (B)	1		
20A	620 - 1DD	BALL BEARING 6201DDUCMAV2S	1		
21	944 - 109	FEATHER KEY 3X3X8	1		
*	22	994 - 301	SPINDLE (A)	1	
*	22	994 - 302	SPINDLE (B)	1	FOR USA,CAN
23	936 - 544	FELT PACKING D18	2		
24	938 - 305Z	SEAL PACKING	1		
25	938 - 293Z	PACKING GLAND	1		
26	993 - 985	SEAL LOCK SCREW (W/SP. WASHER) M5X16	4		
*	27	949 - 241	MACHINE SCREW M5X20 (10 PCS.)	1	
*	27	949 - 241	MACHINE SCREW M5X20 (10 PCS.)	2	FOR USA,CAN
*	28	949 - 454	SPRING WASHER M5 (10 PCS.)	1	
*	28	949 - 454	SPRING WASHER M5 (10 PCS.)	2	FOR USA,CAN
*	29	938 - 302Z	SET PLATE (A)	1	FOR USA,CAN
*	30	937 - 816Z	WHEEL GUARD (A) ASS'Y	1	INCLUD.27,28
*	30	938 - 314	WHEEL GUARD ASS'Y	1	INCLUD.27 - 29 FOR USA,CAN
*	31	937 - 817Z	WHEEL WASHER	1	
*	31	937 - 922P	WHEEL WASHER (B) FOR D5/8" HOLE	1	FOR USA,CAN
32	937 - 819Z	D. C. WHEELS 115MM A36Q (10 PCS.)	1		
*	33	937 - 923P	WHEEL NUT 5/8" - 11UNC	1	FOR USA,CAN
*	33A	994 - 324	WHEEL NUT M14	1	
34	994 - 292	GEAR ASS'Y	1	INCLUD.4,17	
35	938 - 299	SPRING	1		
36	994 - 310	SLIDE BAR	1		
37	931 - 867	BRUSH TERMINAL	2		
38	949 - 322	FLAT HD. SCREW M4X10 (10 PCS.)	1		
39	994 - 298	SLIDE KNOB (C)	1		
40		NAME PLATE	1		
41	994 - 307	TAPPING SCREW (W/SP. WASHER) D4X75	2		
*	42	957 - 592	EARTH WASHER D4	1	FOR NOISE SUPPRESSOR
*	43	340 - 016D	STATOR ASS'Y 110V - 127V	1	INCLUD.37
*	43	340 - 016E	STATOR ASS'Y 220V - 230V (W/O TUBE D)	1	INCLUD.37
*	43	340 - 016J	STATOR ASS'Y 220V - 230V (W/TUBE D)	1	INCLUD.37

*: ALTERNATIVE PARTS

