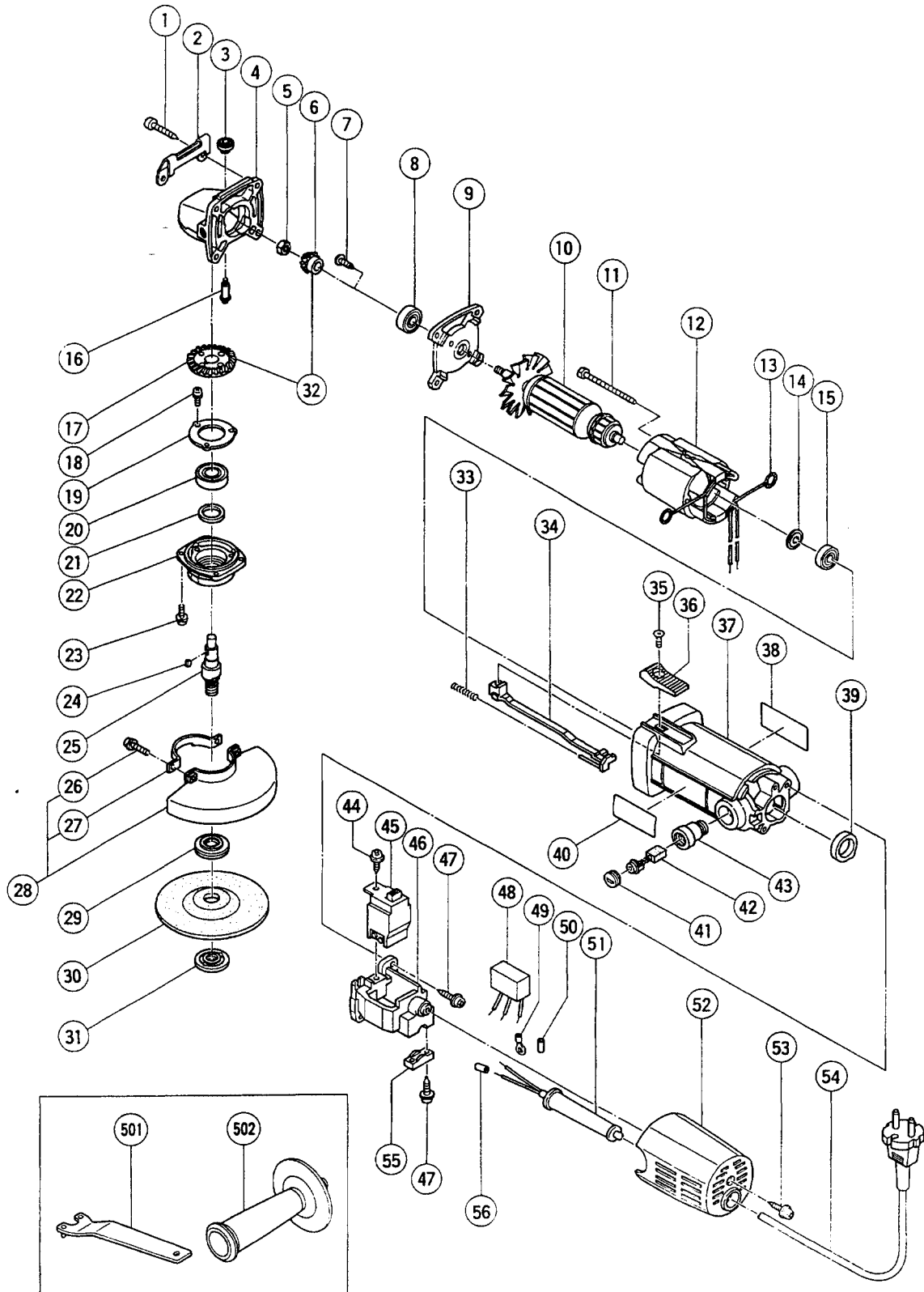


ELECTRIC TOOL PARTS LIST

■ DISC GRINDER
Model G 10SR

1997 · 12 · 25
(E1)



PARTS

G 10SR

ITEM NO.	CODE NO.	DESCRIPTION	NO. USED	REMARKS
1	937-807	TAPPING SCREW D5X25	4	
2	302-149	GUARD PLATE	1	
3	301-944	PUSHING BUTTON	1	
4	314-125	GEAR COVER ASS'Y	1	INCLUD.3,16
5	301-941	SPECIAL NUT M7	1	
6	301-939	PINION	1	
7	314-430	SLOTTED HD. SCREW (SEAL LOCK) M4X10	2	
8	608-VVM	BALL BEARING 608VVMC2EPS2L	1	
9	301-935	INNER COVER	1	
10	360-163U	ARMATURE ASS'Y 110V - 115V	1	INCLUD.8,14,15
*	10	360-163E	1	
*	10	360-163F	1	FOR AUS
11	982-021	HEX. HD. TAPPING SCREW D4X70	2	
*	12	340-187G	1	INCLUD.13 FOR GBR(110V)
*	12	340-187K	1	INCLUD.13
*	12	340-187E	1	IMCLUD.13
*	12	340-187H	1	INCLUD.13 FOR GBR(230V),NZL,CHN
*	12	340-187J	1	INCLUD.13 FOR AUS
13	931-867	BRUSH TERMINAL	2	
14	980-865	WASHER (A)	1	
15	626-VVM	BALL BEARING 626VVMC2ERPS2S	1	
16	301-942	LOCK PIN	1	
17	301-940	GEAR	1	
18	987-201	SEAL LOCK SCREW (W/SP. WASHER) M4X10	3	
19	938-058	BEARING COVER (B)	1	
20	600-1VV	BALL BEARING 6001VVMCPS2L	1	
21	301-946	FELT PACKING	1	
22	301-947	PACKING GLAND	1	
23	987-203	SEAL LOCK SCREW (W/SP. WASHER) M4X12	4	
24	940-220	WOODRUFF KEY 2.5X8	1	
*	25	302-046	1	
*	25	312-047	1	FOR USA
26	308-386	MACHINE SCREW (W/SP. WASHER) M5X16	2	
27	301-949	SET PLATE	1	
28	301-948	WHEEL GUARD ASS'Y	1	INCLUD.26,27
*	29	937-835Z	1	
*	29	937-834Z	1	FOR USA
*	30	939-640Z	1	FOR AUS,NZL
*	31	936-583Z	1	
*	31	312-048	1	FOR USA
32	301-938	GEAR PINION ASS'Y	1	INCLUD.6,17
33	938-299	SPRING	1	
34	982-033	SLIDE BAR	1	
35	949-322	FLAT HD. SCREW M4X10 (10 PCS.)	1	
36	994-298	SLIDE KNOB (C)	1	
37	315-493	HOUSING ASS'Y	1	INCLUD.43
38		NAMER PLATE	1	
39	307-010	BEARING BUSHING	1	
40		HITACHI LABEL	1	
41	937-847	BRUSH CAP	2	
42	999-021	CARBON BRUSH (1 PAIR)	2	

*: ALTERNATIVE PARTS

PARTS

G 10SR

ITEM NO.	CODE NO.	DESCRIPTION	NO. USED	REMARKS	
43	937-846	BRUSH HOLDER	2		
44	305-720	TAPPING SCREW (W/FLANGE) D4X12	1		
45	980-778	SLIDE SWITCH (2P PILLAR TYPE)	1		
46	982-044	SWITCH HOLDER	1		
47	984-750	TAPPING SCREW (W/FLANGE) D4X16	4		
* 48	994-273	NOISE SUPPRESSOR	1	FOR NZL,AUS,GBR,CHN	
* 49	959-144	TERMINAL 50051 (10 PCS.)	1	FOR NOISE SUPPRESSOR	
* 50	981-373	TUBE (D)	2	FOR NOISE SUPPRESSOR	
51	953-327	CORD ARMOR D8.8	1		
52	315-494	TAIL COVER	1		
53	307-811	TAPPING SCREW (W/FLANGE) D4X16 (BLACK)	1		
* 54	500-212Z	CORD	1	FOR THA	
* 54	500-409Z	CORD	1	FOR INA	
* 54	500-237Z	CORD	1	FOR GBR(110V)	
* 54	500-436Z	CORD	1	FOR GBR(230V)	
* 54	500-240Z	CORD	1	FOR USA	
* 54	500-226Z	CORD	1	FOR AUS,NZL	
* 54	500-409Z	CORD	1	FOR CHN	
* 55	960-266	CORD CLIP	1		
* 55	308-094	CORD CLIP	1	FOR CHN	
* 56	981-373	TUBE (D)	2	FOR CORD	

STANDARD ACCESSORIES

ITEM NO.	CODE NO.	DESCRIPTION	NO. USED	REMARKS	
501	313-933	WRENCH	1		
* 502	302-142	SIDE HANDLE	1		

* : ALTERNATIVE PARTS

OPTIONAL ACCESSORIES

G 10SR

ITEM NO.	CODE NO.	DESCRIPTION	NO. USED	REMARKS
601	939-640Z	D. C. WHEELS 100MMX4T A36Q (20 PCS.)	1	
602	314-051	SANDING DISCS 100MM C - P16 (10 PCS.)	1	
603	314-052	SANDING DISCS 100MM C - P20 (10 PCS.)	1	
604	314-053	SANDING DISCS 100MM C - P24 (10 PCS.)	1	
605	314-054	SANDING DISCS 100MM C - P30 (10 PCS.)	1	
606	314-055	SANDING DISCS 100MM C - P36 (10 PCS.)	1	
607	314-056	SANDING DISCS 100MM C - P40 (10PCS.)	1	
608	314-057	SANDING DISCS 100MM C - P50 (10 PCS.)	1	
609	314-058	SANDING DISCS 100MM C - P60 (10 PCS.)	1	
610	314-059	SANDING DISCS 100MM C - P80 (10 PCS.)	1	
611	314-060	SANDING DISCS 100MM C - P100 (10 PCS.)	1	
612	314-061	SANDING DISCS 100MM C - P120 (10 PCS.)	1	
613	935-513	WASHER NUT M10XP1.5	1	
* 614	313-173	WASHER NUT M10XP1.25	1	FOR USA
615	936-548	WASHER	1	
616	936-558Z	RUBBER PAD	1	
* 617	303-058	DIAMOND WHEEL (SEGMENT) 105MM - D20 HOLE	1	FOR USA
* 618	303-059	DIAMOND WHEEL 105MM - D20 HOLE	1	FOR USA
* 619	303-681	WASHER (FOR DIAMOND WHEEL)	1	FOR USA
620	304-015		1	FOR CONCRETE
621	304-016	DIAMOND WHEEL 105MM - D20 HOLE	1	WAVE SHAPE TYPE FOR CONCRETE
* 622	937-835Z	WHEEL WASHER (C)	1	FOR DIAMOND WHEEL FOR USA
623	306-162	DIAMOND WHEEL 106MM - D20 HOLE	1	WAVE SHAPE TYPE FOR CONCRETE
624	302-098	GUIDE BASE	1	
* 625	302-739	SIDE HANDLE (C)	1	FOR USA
626	986-381	DUST COLLECTOR (FOR DISC GRINDER)	1	

* : ALTERNATIVE PARTS