



GP6500 Portable Generator

Unit Parts Manual

 **WARNING**

CANCER AND REPRODUCTIVE HARM

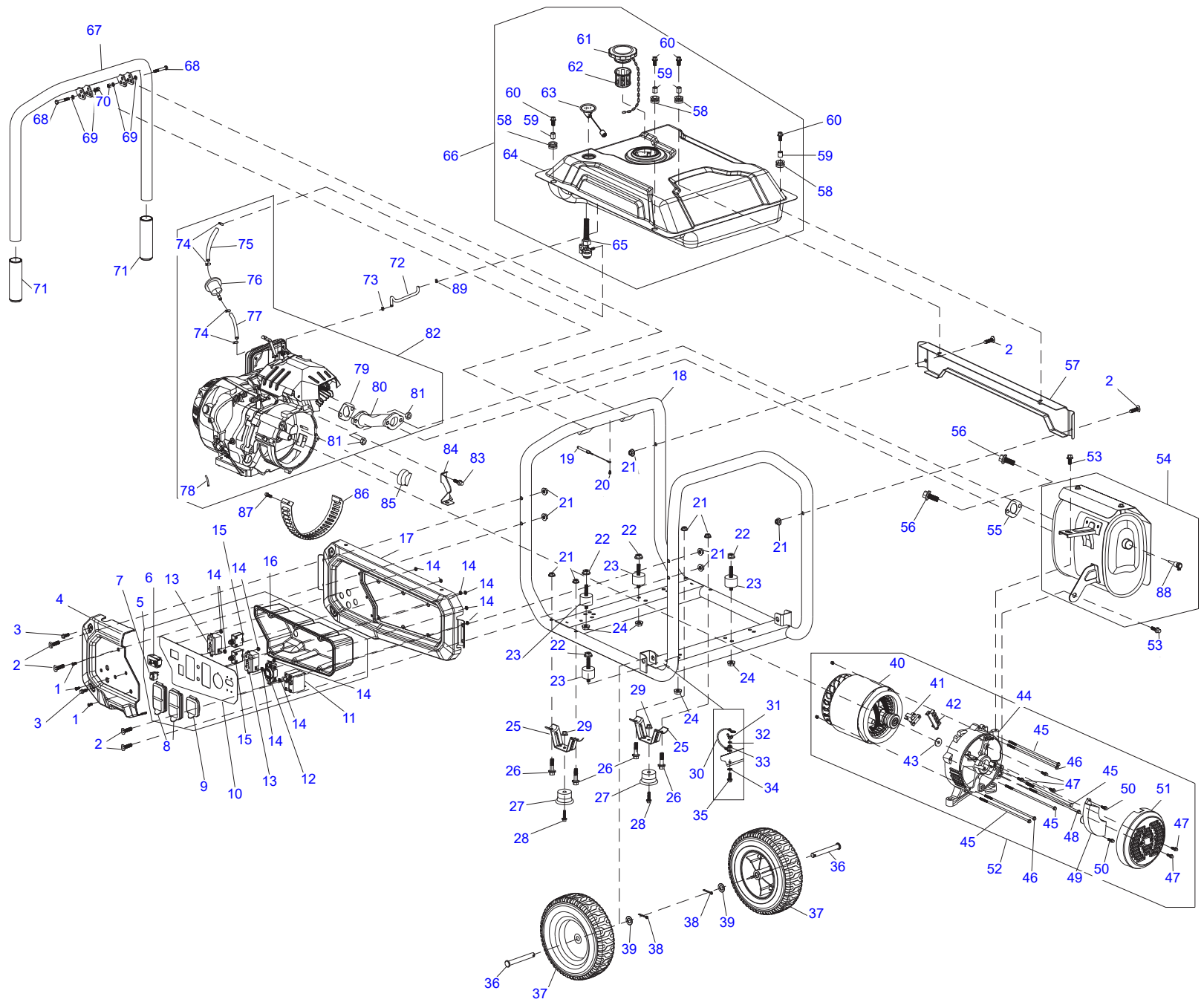
www.P65Warnings.ca.gov

(000393a)

The information in this manual is known to be accurate as of the date of release shown on the cover. However, engineering changes can occur without notice. To obtain the proper parts, be sure to use the serial number of the unit being serviced when ordering from this manual. Always refer to any part notes and changes before ordering. All other parts not shown in the manual can be found on Generac's exploded view drawings at www.generac.com or by contacting your local authorized dealer.

www.generac.com or 1-888-GENERAC

009370



ITEM	PART NO.	DESCRIPTION	QTY
1	10000035906	BOLT (M5X16MM)	3
2	0H1780	CURVED HEAD BOLT (M8X40MM)	6
3	10000038990	BOLT (M5X12MM)	2
4	10000035896	CONTROL PANEL COVER	1
5	A0000209993	CONTROL PANEL ASSEMBLY	1
6	0G8321	HOUR METER	1
7	A0000209995	ENGINE SWITCH	1
8	0G9392	RECEPTACLE COVER	2
9	0G9391	RECEPTACLE COVER	1
10	10000035941	CONTROL PANEL FACE PLATE	1
11	0G9023C	CIRCUIT BREAKER 30A	1
12	0K95240111	RECEPTACLE L14-30R	1
13	10000028117	RECEPTACLE-GFCI	2
14	0J86620108	NUT (M4)	12
15	0H0265C	CIRCUIT BREAKER 20A	2
16	10000035898	CONTROL PANEL BACK COVER	1
17	10000035899	PANEL-CONTROL PANEL SIDE	1
18	10000035928	FRAME	1
19	10000028186	CHAIN	1
20	10000033540	BOLT (M4X14MM)	1
21	0K0098	NUT (M8)	10
22	0J4029	NUT (M10X1.25MM)	4
23	0K09150110	VIBRATION MOUNT	4
24	0K22930127	NUT (M8)	4
25	0K0097	FOOT BRACKET	2
26	G073144	BOLT (M8X45MM)	4
27	0J8836	ISOLATOR FOOT	2
28	0K0100	BOLT (M6X28MM)	2
29	0K0105	NUT (M6)	2
30	10000035908	GROUND WIRE ASSEMBLY	1
31	0K0094	NUT BUTTER FLY	1
32	0J47870118	FLAT WASHER Ø6X0.8	1
33	10000021871	NUT (M6)	1
34	0K0093	SPECIAL LOCK WASHER	1
35	0J35220156	BOLT (M6X20MM)	1
36	0H0204	AXLE PIN	2
37	0K6011	WHEEL	2
38	10000035957	COTTER PIN	2
39	10000035961	FLAT WASHER Ø13X2	2
40	0K9546	ALTERNATOR	1
41	0H0919	BRUSH ASSEMBLY	1

ITEM	PART NO.	DESCRIPTION	QTY
42	0J83630111	WIRE TERMINAL	1
43	0J86620102	FLAT WASHER Ø10X4	1
44	0H91980171	REAR BEARING CARRIER	1
45	0J6071	BOLT (M6X160MM)	4
46	0L11890110	BOLT (M5X198MM)	2
47	0J4967	BOLT (M5X12MM)	6
48	0L11890111	BOLT ROTOR (M10X250)	1
49	0H91980178	AUTOMATIC VOLTAGE REGULATOR	1
50	0J4968	BOLT (M5X16MM)	3
51	10000028206	GENERATOR END COVER	1
52	0K9546	ALTERNATOR ASSEMBLY	1
53	0E9470	BOLT (M8X16MM)	2
54	10000042621	MUFFLER ASSEMBLY	1
55	0J4691	MUFFLER EXHAUST GASKET	1
56	0E9507B	BOLT (M8X25MM)	2
57	10000035962	PANEL-EXHAUST SIDE	1
58	10000035958	GROMMET-FUEL TANK RUBBER	4
59	10000035970	SLEEVE-INSERT	4
60	10000035935	BOLT (M8X40)	4
61	0H0958	ASSEMBLY GAS CAP SEALED	1
62	0K09150113	FUEL GAUGE	1
63	10000035980	FUEL FILTER	1
64	ORDER ITEM 66	FUEL TANK WELDMENT	1
65	10000035909	FUEL SHUT OFF VALVE	1
66	A0000091546	FUEL TANK ASSEMBLY	1
67	10000035919	BENT TUBE HANDLE	1
68	10000028242	BOLT (M8X55MM)	2
69	10000028280	FLAT WASHER Ø9X1.5	4
70	10000028262	NUT (M8)	2
71	10000035971	HANDLE GRIP	2
72	A0000209996	HOSE	1
73	0K97920112	HOSE CLAMP Ø11	1
74	0J25910115	HOSE CLAMP Ø9	4
75	0L36230133	FUEL HOSE	1
76	0G9914	FUEL FILTER	1
77	10000039240	FUEL HOSE Ø8X80MM	1
78	10000035981	SHEATH	1
79	0G9028	GASKET EXHAUST	1
80	0G8442F111	EXHAUST MANIFOLD	1
81	0J35220161	NUT (M8)	2
82	10000047790	ENGINE 389CC G390FA	1

ITEM	PART NO.	DESCRIPTION	QTY
83	0H58410163	BOLT (M6X12MM)	1
84	0G8442C112	AIR CLEANER BRACKET	1
85	0J86620104	BAFFLE	1
86	0H9761	ALTERNATOR SCROLL	1
87	0J00620100	BOLT (M5X10MM)	1
88	0J5207C110	SPARK ARRESTOR	1
89	0J88870130	CLAMP-COLLAR	1

NOTE: To order replacement engine parts, see manual 10000047840.

Part No. 10000043976 Rev. A 06/13/2019
©2019 Generac Power Systems, Inc.
All rights reserved
Specifications are subject to change without notice.
No reproduction allowed in any form without prior written
consent from Generac Power Systems, Inc.



Generac Power Systems, Inc.
S45 W29290 Hwy. 59
Waukesha, WI 53189
1-888-GENERAC (1-888-436-3722)
www.generac.com