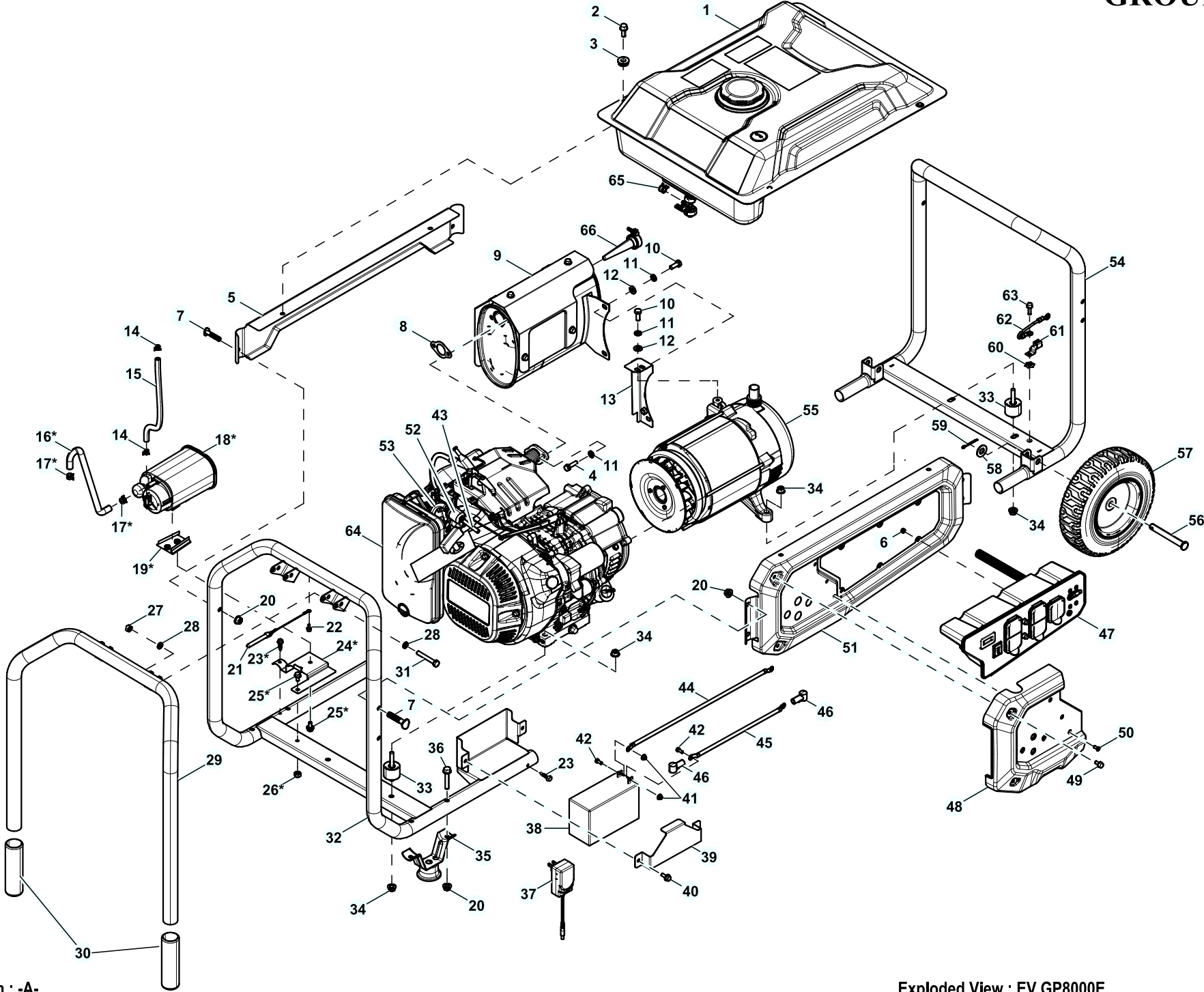


# GROUP EV



## EXPLODEDVIEW: EV GP8000E

DRAWING#: 1000044627

APPLICABLE TO:

## GROUP EV

ITEM	PART#	QTY.	DESCRIPTION
1	1000047791	1	FUEL TANK ASSEMBLY
2	0G5445	4	SCREW HHTT M8-1.25 X 20
3	0H1411	4	RUBBER MOUNT, 10.8 ID X 9 TALL
4	042909	2	SCREW HHC M8-1.25 X 30 C8.8
5	10000031804	1	ST19 SIDE PANEL EXHAUST
6	0F7806	6	NUT HEX FL WHIZ M4-0.7
7	0H1780	6	CURVED HEAD M8-1.25 X 42MM LNG
8	0G9028	1	GASKET, EXHAUST, 389CC
9	0H9763B	1	ASSY MUFFLR GP 7.5KW
10	G039253	4	SCREW HHC M8-1.25 X 20 C8.8
11	G022129	6	WASHER LOCK SPRING 5/16 ZC
12	G022145	4	WASHER FLAT 5/16-M8 STEEL ZINC
13	0G8542	1	BRACKET, MUFFLER 389CC
14	048031B	2	CLAMP HOSE BAND SPRING .38
15	10000035625	1	HOSE ROV-CANISTER
	10000031802	1	HOSE EVAP GP
16*	0K3567	1	HOSE FORMED 13 OD X 8 ID X 278
17*	048031C	2	CLAMP HOSE BAND .50
18*	0H0957	1	CARBON CANISTER
19*	0K35140ST03	1	CARBON CANISTER MOUNT XT
20	0J9125	10	NUT HEX FL WHIZ M8-1.25
21	0K3399	1	PIN QUICK RELEASE XT
22	G045764	1	SCREW HHTT M4-0.7 X 8 ZP
23	0L2176	3	SCREW HHSD PREMIUM 1/4-14X1 BZ
24*	0K35120ST03	1	CARB CAN CRADLE BRACKET XT
25*	0C8563	2	SCREW HHFC M6-1.0 X 12 G8.8
26*	0B2236	1	NUT HEX LOCK M6-1 NY INS
27	G049820	2	NUT HEX LOCK M8-1.25 NY INS
28	0K3431	4	WASHER FLAT M8 NYLON
29	10000031787	1	ST03 HANDLE GP
30	10000031500	2	HANDLE GRIP GP
31	0J3317	2	SCREW HHC M8-1.25 X 55 PC8.8 BLK
32	10000031748	1	ST03 GP CRADLE ENGINE HALF
33	0H2043	4	VIB MOUNT 35 X 12 X M8-1.25
34	067989	8	NUT HEX FL WHIZ M8-1.25
35	0K8933	2	FOOT ASSY GP
36	0H1779	4	SCREW HHFC M8-1.25 X 45 G8.8
37	10000020426	1	CHARGER AC ADAPTOR 14VDC PLUG
38	0G9449	1	BATTERY 12V SEALED
39	0J64180ST03	1	BACKET BATTERY HOLD DOWN
40	0G0926	2	SCREW HHFCS M6-1 X 16 G8.8
41	0H3535	2	NUT HEX FLANGE M5-0.8 LOCK NYLON
42	G052618	2	SCREW HHC M5-0.8 X 12 C8.8
43	0G9757A	1	FUEL HOSE 4 ID X 8 OD X 55MM
44	0742600199	1	WIRE ASSY 8GA 17" BLACK
45	0742600198	1	WIRE ASSY 8GA 11" RED
46	0G6392	2	BOOT VINYL STARTER-SOLENOID
47	10000031709	1	CONTROL PNL ASSY
48	10000030651	1	SHROUD SIDE PANEL CONTROL
49	G090388	2	SCREW HHTT M6-1.0 X 12 ZINC
50	0H1357	3	SCREW PFHM M5-0.8 X 12
51	10000031832	1	ST19 SIDE PANEL CONTROL
52	0G9914	1	FUEL FILTER G19-389
53	0G9757B	1	FUEL HOSE 4 ID X 8 OD X 80MM
54	10000031727	1	ST03 GP CRADLE ALTERNATOR HALF
55	0K0755	1	ALT 8000W ALUMINUM BRUSH TYPE
56	0H0204	2	AXLE PIN, 1/2"X 4", 3/4" HEAD
57	0K6011	2	WHEEL 9.5" DIA, PLASTIC
58	G022304	2	WASHER FLAT 1/2 STEEL ZINC
59	0D4999	2	PIN COTTER 1/8 X 1-1/4 ZN PLT
60	0A1658	1	WASHER LOCK SPECIAL 1/4"
61	G055414	1	LUG SLDLSS #2-#8 X 17/64 CU
62	G0742600186	1	GROUND WIRE BRG CAR-LUG 4KW
63	0G3110	1	SCREW HHTT M6-1.0 X 20 ZINC
64	0H9838G	1	ENGINE
65	048031G	1	CLAMP HOSE BAND .41
66	0K3857	1	SPARK ARRESTOR ASSY USFS

NOTES (UNLESS OTHERWISE SPECIFIED):  
 \* IF EQUIPPED (CARB UNITS ONLY)