

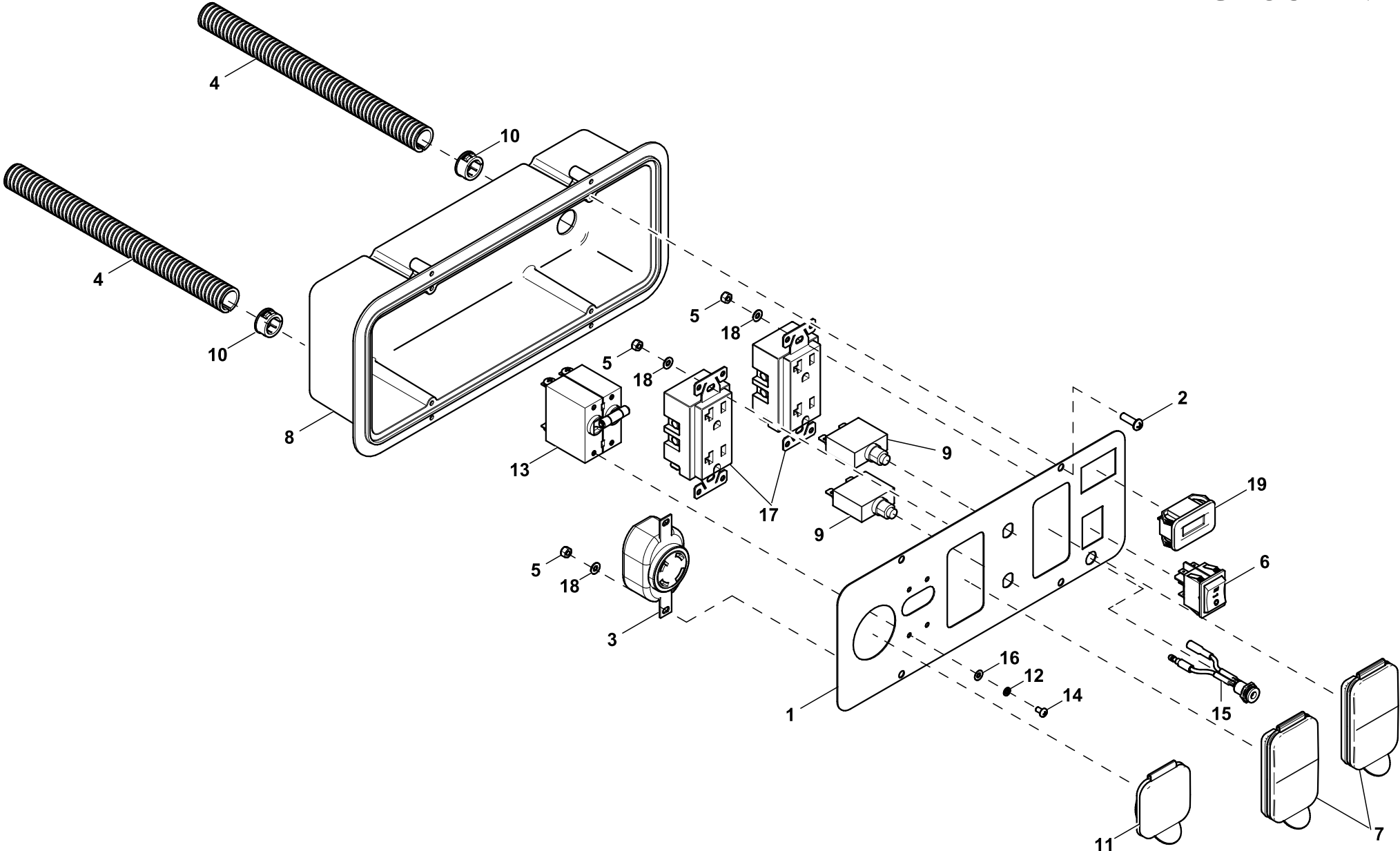
| ITEM | PART# | QTY. | DESCRIPTION |
|--------|-------------|------|--------------------------------|
| PAGE 1 | | | |
| 1 | 10000012981 | 1 | ST15 GP CRADLE ENGINE HALF |
| 2 | 10000012939 | 1 | ST15 GP CRADLE ALT HALF |
| 3 | 0H1779 | 5 | SCREW HHFC M8-1.25 X 45 |
| 4 | 0A1658 | 1 | WASHER LOCK SPECIAL 1/4" |
| 5 | 0J9125 | 11 | NUT HEX FL WHIZ M8-1.25 |
| 6 | 0J6418 | 1 | BRACKET BATTERY HOLD DOWN |
| 7 | 045770 | 1 | SCREW HHC M5-0.8 X 10 C8.8 |
| 8 | 0G0926 | 2 | SCREW HHFCS M6-1 X 16 G8.8 |
| 9 | 0K8933 | 2 | FOOT ASSY GP |
| 10 | 0H9749A | 1 | PANEL RAIL BACK GP |
| 11 | G022304 | 2 | WASHER FLAT 1/2 ZINC |
| 12 | 0H1780 | 6 | CURVED HEAD M8-1.25 X 41MM LNG |
| 13 | 0J6460 | 1 | SCROLL ALTERNATOR GP |
| 14 | 0L1407 | 1 | HANDLE GP7500E |
| 15 | G087680 | 1 | NUT WING M6-1.0 |
| 16 | G045757 | 1 | SCREW HHC M6-1.0 X 25 C8.8 |
| 17 | 0K6011 | 2 | WHEEL 9.5" DIA, PLASTIC |
| 18 | G067989 | 8 | NUT HEX FL WHIZ M8-1.25 |
| 19 | 0D4999 | 2 | PIN COTTER 1/8 X 1-1/4 ZN PLT |
| 20 | 0E8388 | 1 | NUT HEX FL WHIZ M6-1.0 |
| 21 | 0H2043 | 4 | VIB MOUNT 35 X 12 X M8-1.25 |
| 22 | 0H9838G | 1 | ENGINE 420 ES W/O MFLR EPACARB |
| 23 | 0L2176 | 2 | SCREW HHSD PREMIUM 1/4-14X1 BZ |
| 24 | 0H0204 | 2 | AXLE PIN, 1/2"X 4", 3/4" HEAD |
| 25 | 0H9748 | 1 | PANEL RAIL C/PNL SIDE GP |
| 26 | 0L1671A | 1 | CTRL PANEL GP7500E W/GFCI |
| 27 | 0742600186 | 1 | GROUND WIRE BRG CAR-LUG 4KW |
| 28 | 0K3130 | 4 | SCREW PPPH M5-0.8 X 16 |
| 29 | 049811 | 2 | WASHER FLAT M6 |
| PAGE 2 | | | |
| 34 | 0G5445 | 4 | SCREW HHTT M8-1.25 X 20 |
| 35 | 0K2925 | 1 | HOSE FORMED ROV-AIRBOX 420CC |
| 36 | 0J7921 | 1 | ASSEMBLY ROV |
| 37 | 0H7591A | 1 | FUEL TANK ASSY 8 GAL CARB |
| 38 | 0H1610 | 4 | ANTI-CRUSH 10.8OD 9ID 7.8LG |
| 39 | 0H1411 | 4 | RUBBER MOUNT, 10.8 ID X 9 TALL |
| 40 | 0H0958 | 1 | ASSY GAS CAP SEALED - CHROME |
| 41 | 0H1326 | 1 | FILTER, FUEL |
| 42 | 0H9005A | 1 | FUEL GAUGE 150LG |
| 43 | 0J0974 | 1 | VALVE FUEL SHUTOFF |
| 44 | 048031G | 3 | CLAMP HOSE BAND .41 |
| 45 | 0G9757E | 1 | FUEL HOSE 4 ID X 8 OD X 250MM |
| 46 | 0G9449 | 1 | BATTERY 12V10AH SEALED |
| 47 | 0H3535 | 2 | NUT FLANGE M5-0.8 NYLOCK |
| 48 | 052618 | 4 | SCREW HHC M5-0.8 X 12 C8.8 |
| 49 | 0742600198 | 1 | WIRE ASSY 8GA 11" RED |
| 50 | 0G6392 | 2 | BOOT, VINYL STARTER-SOLENOID |
| 51 | 0742600199 | 1 | WIRE ASSY 8GA 17" BLACK |
| 52 | 0H9763B | 1 | ASSY MUFFLER GP 7.5KW |
| 53 | G039253 | 4 | SCREW HHC M8-1.25 X 20 C8.8 |
| 54 | 0G8542 | 1 | BRACKET, MUFFLER 389CC |
| 55 | 0K0755 | 1 | ALT 7500W ALUMINUM BRUSH TYPE |
| 56 | G049815 | 3 | SCREW HHC M5-0.8 X 16 G8.8 |
| 57 | G049226 | 2 | WASHER LOCK M5 |
| 58 | 0H0919 | 1 | ASSEMBLY, BRUSH VISION |
| 59 | 048031C | 1 | CLAMP HOSE BAND .50 |
| 60 | G022129 | 6 | WASHER LOCK M8-5/16 |
| 61 | G022145 | 4 | WASHER FLAT 5/16-M8 ZINC |
| 62 | 0G9028 | 1 | GASKET, EXHAUST, 389CC |
| 63 | G042909 | 2 | SCREW HHC M8-1.25 X 30 C8.8 |
| 64 | 0H2579B | 1 | AVR 5.5-7.5KW ALT |
| 65 | G051713 | 3 | WASHER FLAT M5 |

EXPLODED VIEW: EV GP7500E

DRAWING #:0L0600

GROUP EV

| ITEM | PART# | QTY. | DESCRIPTION |
|-------------|--------------|-------------|----------------------------|
| 66 | 0G0919 | 1 | SCREW HHFCS M6-1 X 12 G8.8 |
| 67 | 0K3857 | 1 | SPARK ARRESTOR ASSY USFS |



EXPLODED VIEW: EV GP7500E CONTROL PANEL**DRAWING #: 0L1692****GROUP EV**

| ITEM | PART# | QTY. | DESCRIPTION |
|-------------|--------------|-------------|-------------------------------|
| 1 | 0K8861 | 1 | WLDMNT FACE PLATE GP7500E CSA |
| 2 | 0K3130 | 4 | SCREW PPPH M5-0.8 X 16 BZC |
| 3 | 0G8758 | 1 | OUTLET 30A 120/250V SPCGR |
| 4 | 077043U | 2.2FT | CONDUIT FLEX 1/2" |
| 5 | 0E6480 | 6 | NUT HEX LOCK M4-0.7 NY INS |
| 6 | 0J0251 | 1 | SW START-RUN-STOP GP |
| 7 | 0G9392 | 2 | COVER, 20A 120V GFCI/DUPLEX |
| 8 | 0G9756A | 1 | RECPTACLE PANEL STORM-GEN ES |
| 9 | 0H0265C | 2 | CB 20A 1P CUL/CSA |
| 10 | 0A5489 | 2 | SNAP BUSHING.75 OPEN |
| 11 | 0G9391 | 1 | COVER,30A 120/240V |
| 12 | 081797 | 4 | WASHER LOCK #6 SS |
| 13 | 0G9023C | 1 | CB 0030A 2P 240V C AA2 QT |
| 14 | 036900 | 4 | SCREW PPHM #6-32 X 1/4 |
| 15 | 0J4959 | 1 | ASSY 12VDC CHARGER INPUT GP |
| 16 | 0F5883A | 4 | WASHER FLAT M3.5 BLACK |
| 17 | 0D4966 | 2 | OUTLET 20A 120V GFCI GF20BK |
| 18 | 043180 | 6 | WASHER FLAT M4 |
| 19 | 0G8321 | 1 | HOUR METER W/ALERTS AC/DC |