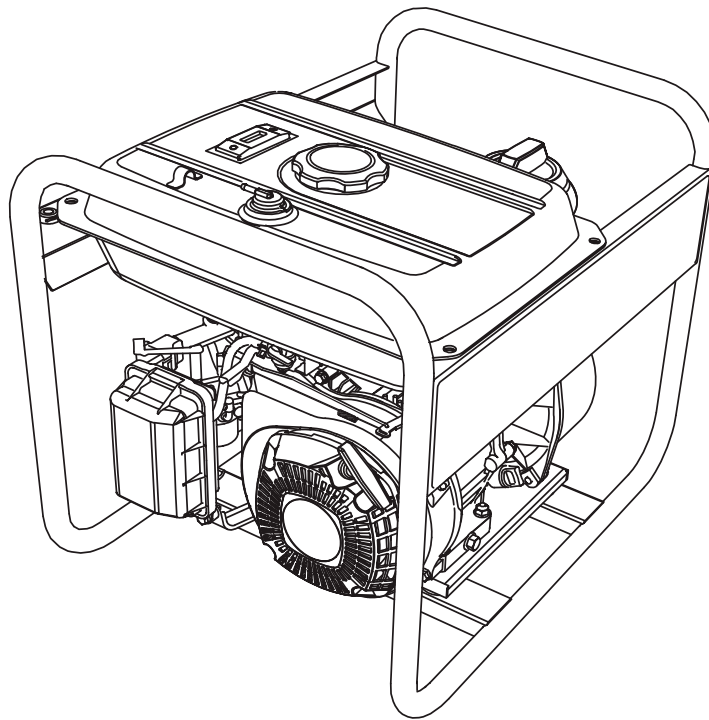


ST20S2InchSemi-TrashPump

Parts Manual (Model 006919-0)



NOTICE!

The information in this manual is known to be accurate as of the date of release shown on the cover. However, engineering changes can occur without notice. To obtain the proper parts, please be sure to use the serial number of the unit being serviced when ordering from this manual. Always refer to any parts notes and changes before ordering. All other parts not shown in this manual can be found on Generac's exploded view drawings online on GENservice at www.generac.com.

www.generac.com or 1-888-GENERAC

⚠️ WARNING

California Proposition 65. Engine exhaust and some of its constituents are known to the state of California to cause cancer, birth defects, and other reproductive harm.

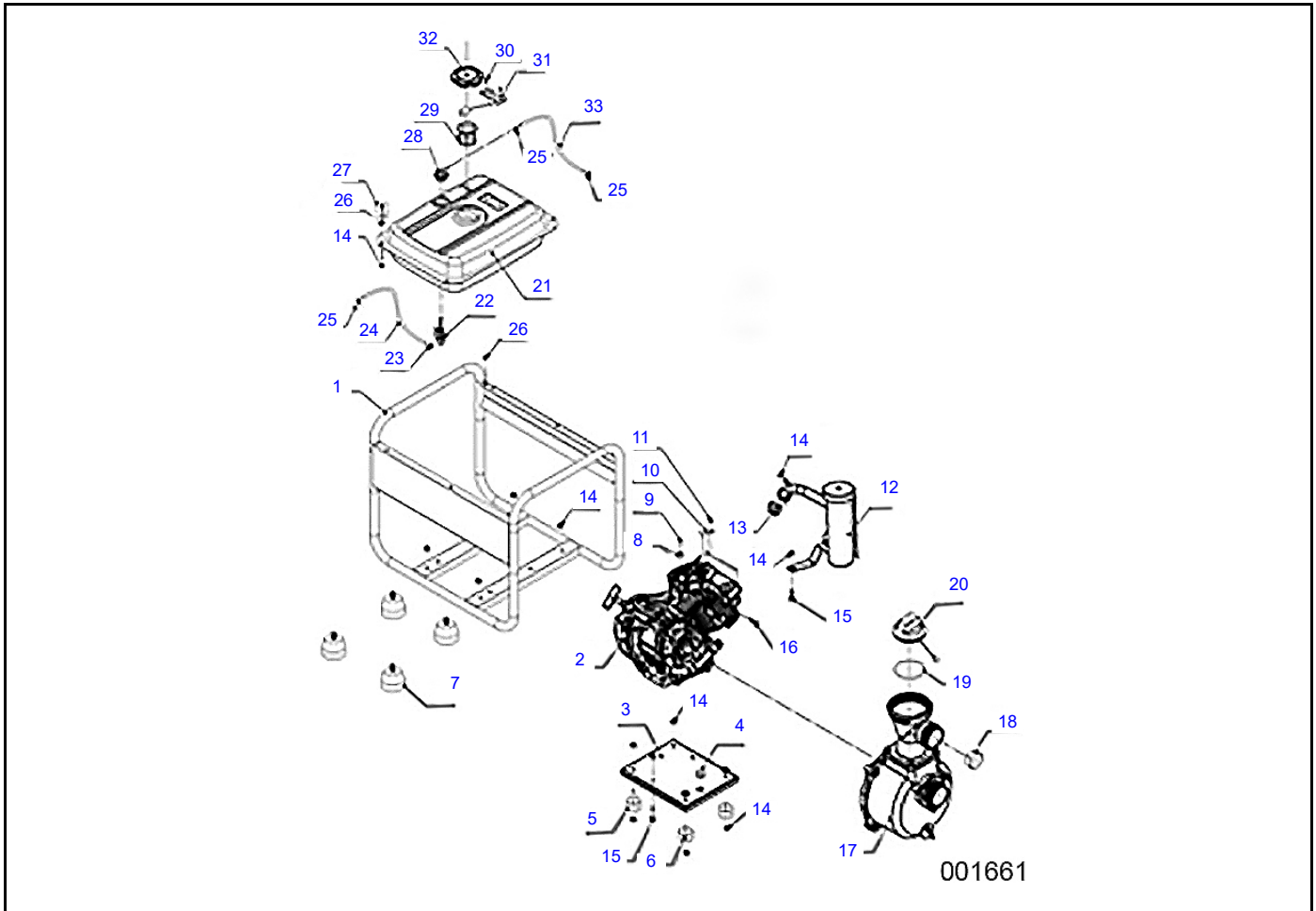
(000004)

⚠️ WARNING

California Proposition 65. This product contains or emits chemicals known to the state of California to cause cancer, birth defects, and other reproductive harm.

(000005)

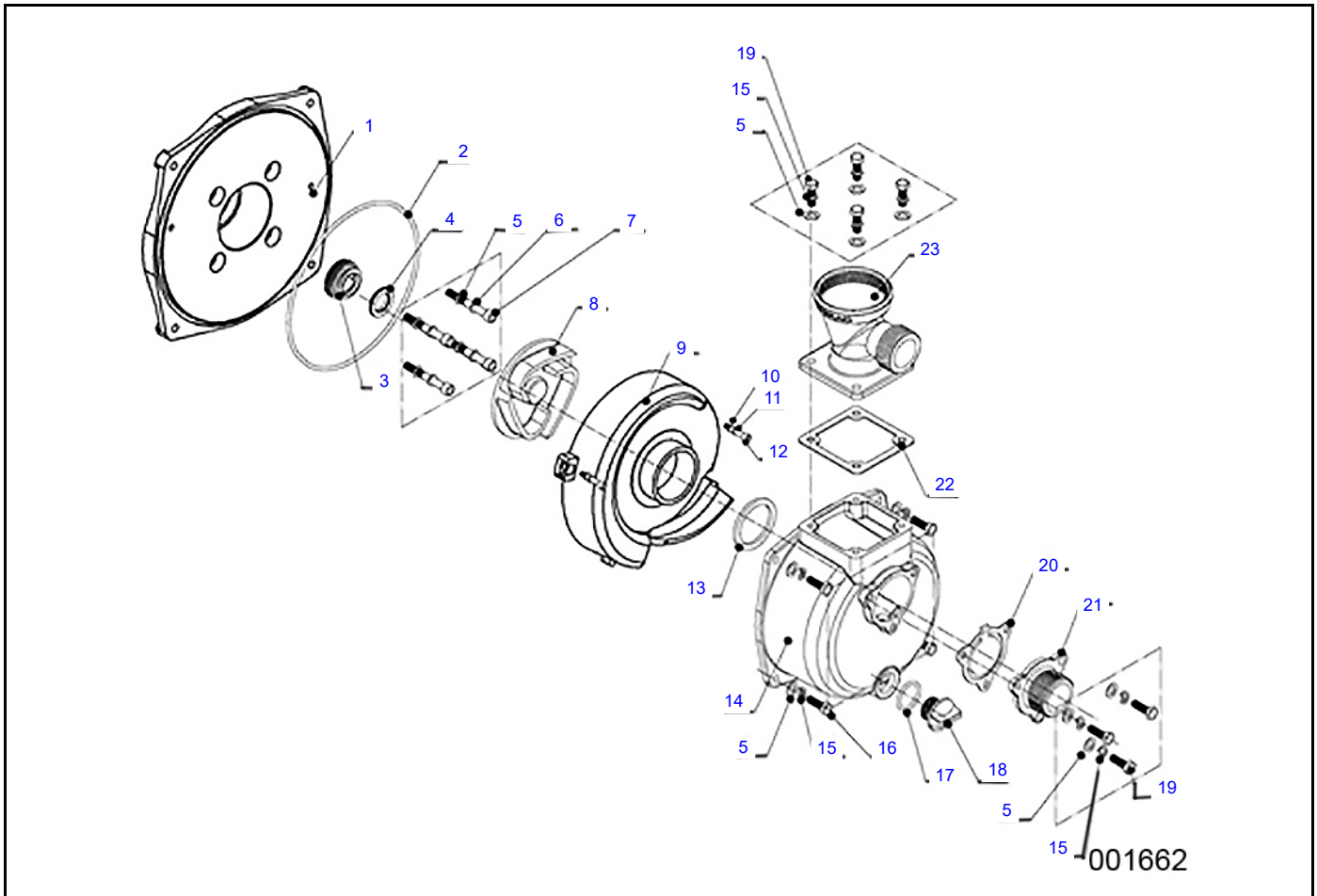
2" SEMI-TRASH PUMP



ITEM	PART NO.	DESCRIPTION	QTY
1	0L63360110	FRAME 2" SEMI-TRASH PUMP	1
2	0L4797	SP17 ENGINE FOR 2" SEMI-TRASH PUMP	1
3	0K95700114	PUMP BASE ASSEMBLY (2" TRASH PUMP)	1
4	0K95700117	PUMP BODY SHOCK ABSORBER	1
5	0K95700115	SHOCK ABSORBER B	2
6	0K95700116	SHOCK ABSORBER A	2
7	0L63350112	VIBRATION MOUNT	4
8	0L63370146	SPACER	1
9	0K33910123	FLANGE BOLT (M6X20)	1
10	0L63370147	AIR DUCT BRACKET	1
11	0H33750126	BOLT (M6X12)	1
12	0L63360111	MUFFLER	1
13	0L63360112	MUFFLER GASKET	1
14	0J08180243	NUT (M8)	16
15	0H33750248	BOLT (M8X40)	2
16	0K96270114	BOLT (M8X12)	1
17	0L63360113	2" SEMI-TRASH PUMP ASSEMBLY	1

ITEM	PART NO.	DESCRIPTION	QTY
18	0K95700139	2" BLUE BAND	1
19	0K95700141	GENERAC PLUG O-RING	1
20	0K9080	2" EASY PRIME CAP	1
21	0K95700143	FUEL TANK (11.5L)	1
22	0H3384	FUEL SHUTOFF VALVE	1
23	0J08180222	CLAMP	1
24	0J6626	FUEL HOSE 4.5X8.5MM (EPA/CARB)	0.17
25	0H33750173	CLAMP	3
26	0K95700149	FUEL TANK SHOCK ABSORBER	5
27	0K33910126	FLANGE BOLT/WASHER (M8X25)	4
28	0K95700144	ROLL OVER VALVE	1
29	0K95700145	FUEL FILTER (IN TANK)	1
30	0K95700147	SCREW (M5X14)	2
31	0K95700151	FUEL GAUGE	1
32	0K95700152	FUEL CAP	1
33	0K95700148	FUEL HOSE 4.5MM	0.81

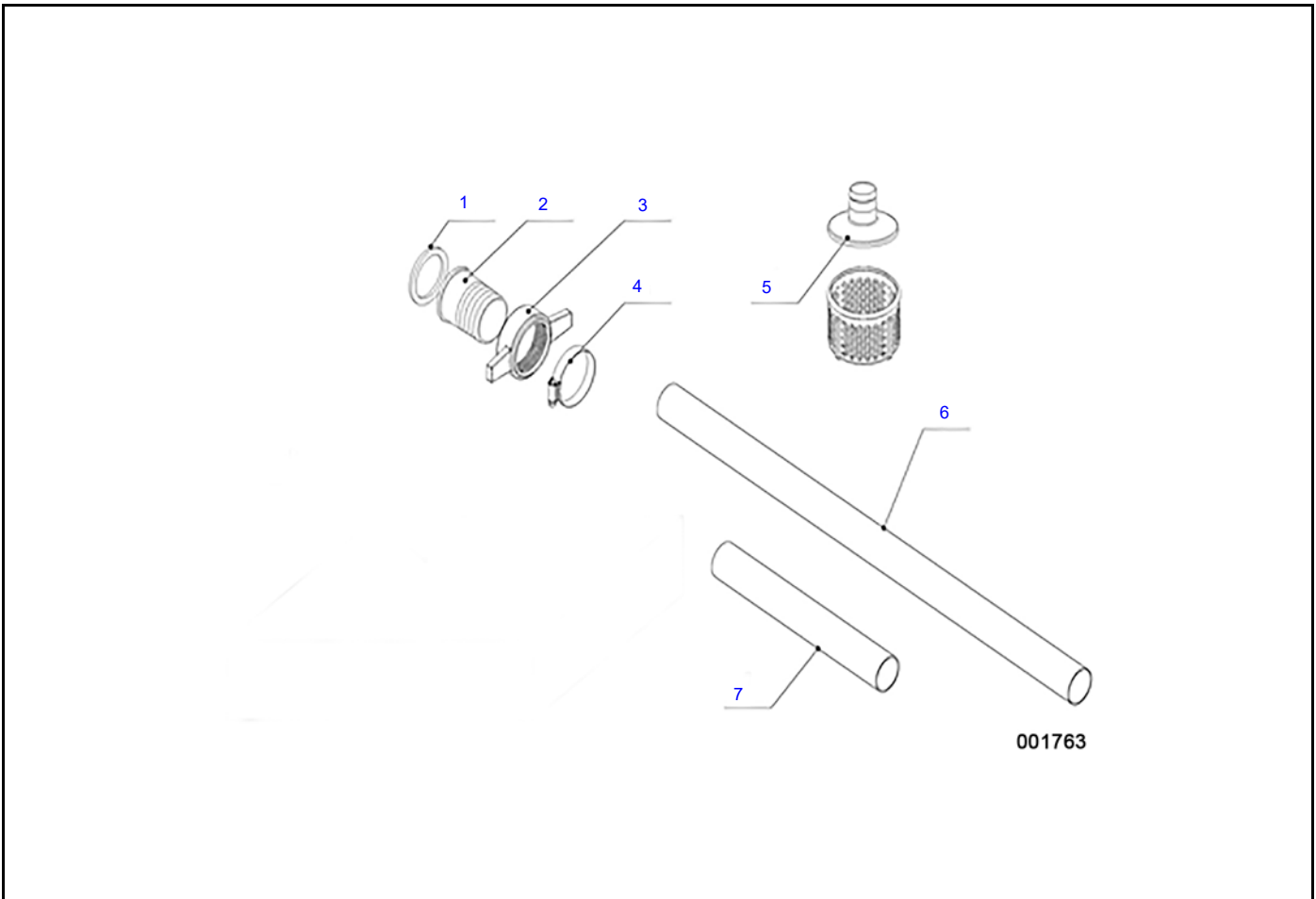
2" SEMI-TRASH PUMP ASSEMBLY



ITEM	PART NO.	DESCRIPTION	QTY
1	0L63360118	PUMP COVER	1
2	0K95700119	PUMP COVER O-RING	1
3	0L63360119	MECHANICAL SEAL (DYNAMIC)	1
4	0K95700121	MECHANICAL SEAL (DYNAMIC)	1
5	0J08180229	FLAT WASHER	15
6	0K95700122	RUBBER WASHER	4
7	0L63360114	INNER HEX BOLT (5/16"-24UNF X60)	4
8	0L63360115	2" IMPELLER (QT200)	1
9	0L63360116	2" VOLUTE	1
10	0J08180237	FLAT WASHER	2
11	0J08180238	SPRING WASHER	2
12	0L63360117	HEXAGON SOCKET CAP (M5X15)	2

ITEM	PART NO.	DESCRIPTION	QTY
13	0K95700126	2" VOLUTE O-RING	1
14	0K95700127	PUMP HOUSING	1
15	0J08180230	SPRING WASHER	11
16	0K95700128	BOLT (M8X30)	4
17	0K95700129	PLUG O-RING	2
18	0K95700130	PLUG	2
19	0K96270126	BOLT (M8X25)	7
20	0K95700131	FLAP VALVE	1
21	0K95700156	2" INTAKE VALVE SEAT	1
22	0K95700140	2" EASY PRIME DISCHARG FUNNEL GASKET	1
23	0K9079	2" EASY PRIME DISCHARGE FUNNEL	1

HOSES AND HARDWARE



ITEM	PART NO.	DESCRIPTION	QTY
1	0K95700132	O-RING	2
2	0K95700153	HOSE BARB	2
3	0K95700134	JOINT GRIP	2
4	0K95700154	CLAMP	3
5	0K95700137	FILTER NET	1
6	0K95700138	DISCHARGE HOSE (2 INCH X 25 FEET)	1
7	0K95700136	SUCTION HOSE (2 INCH X 12 FEET)	1

THIS PAGE INTENTIONALLY LEFT BLANK

Part No. 0L6336PMNL Rev. A 03/10/2016 © 2016 Generac
Power Systems, Inc. All rights reserved
Specifications are subject to change without notice.
No reproduction allowed in any form without prior written
consent from Generac Power Systems, Inc.

GENERAC[®]



Generac Power Systems, Inc.
S45 W29290 Hwy. 59
Waukesha, WI 53189
1-888-GENERAC (1-888-436-3722)
generac.com