

EV GENERATOR 426 ES
PORT XC

EXPLODED VIEW: EV GENERATOR 426 ES PORT XC

DRAWING #: 10000005884

GROUP EV

ITEM	PART#	QTY.	DESCRIPTION
------	-------	------	-------------

PAGE 1

1	10000008370	1	MUFFLER GTH530 W/SA
2	OG3730B	2	SCREW SHC M8-1.25 X 25 G8.8 SEMS
3	OC4138	1	GASKET EXHAUST PORT
4	OL5637	1	MANIFOLD EXHAUST 426CC PORT
5	OL2391	1	GASKET EXHAUST 426
6	OL3116	1	ENGINE GH426 PORT XP 49ST
7	10000007873	1	ALT 8000W COPPER BRUSH TYPE
8	10000000245	1	BRACKET MUFFLER XC
9	10000003425	1	DECAL FUEL OVERFLOW PRO SERIES
10	OL5761	1	DECAL DATA PLATE FUEL TANK XP
11	OL5761A	1	DECAL BLANK PLATE FUEL TANK XP
12	OH0116B	1	DECAL WARN HOT EXHAUST
13	OH4635B	1	DECAL DANGER & SAFETY RUS
14	OH9004	1	DECAL LIFT WARNING XP PORT
15	OG5445	4	SCREW HHTT M8-1.25 X 20
16	OH8250	1	DECAL CO WARNING 3L PRODC T HOR
17	OL0207	1	FUEL TNK 9 GAL ASSY
18	067989	13	NUT HEX FL WHIZ M8-1.25
19	OH7520	1	FUEL GAUGE,ROUND 6 LONG
20	OH7521	1	GROMMET FUEL GAUGE ROUND
21	OH2043	2	VIB MOUNT 35 X 12 X M8-1.25
22	10000003289	1	ST03 BRACKET ENGINE MOUNT XP
23	081990	4	SCREW SHC M8-1.25 X 40 C8.8
24	084508A	2	VIBRATION MNT 45 ANGLE 65 DURO
25	OH0919	1	ASSEMBLY,BRUSH VISION
26	G051713	4	WASHER FLAT M5
27	G049815	4	SCREW HHC M5-0.8 X 16 G8.8
28	OH2579D	1	AVR TT816-100
29	OH3049	1	COVER ALTERNATOR INLET 5-7KW
30	G052618	2	SCREW HHC M5-0.8 X 12 C8.8
31	G049226	2	WASHER LOCK M5
32	G046526	4	WASHER LOCK M10
33	G022511	4	SCREW HHC 3/8-16 X 1-1/4 G5
34	OH1411B	4	RUBBER MOUNT 10.3 ID X 11 HGT
35	OH1610A	4	ANTI-CRUSH 10.80D 9ID 10LG
36	OH0958A	1	ASSY GAS CAP SEALED - BLACK
37	OH1326	1	FILTER FUEL
38	10000004136	1	SPARK ARRESTOR
39	10000000680	1	VALVE FUEL SHUTOFF PRO SERIES
40	10000000650	1	KNOB FUEL VALVE TOUCH POINT PRO
41	OK9238	1	SCREW BFHSC M3-0.5 X 16 BLK ZP
42	10000000743	6	SCREW HHFCS M8-1.25 X 25 C8.8

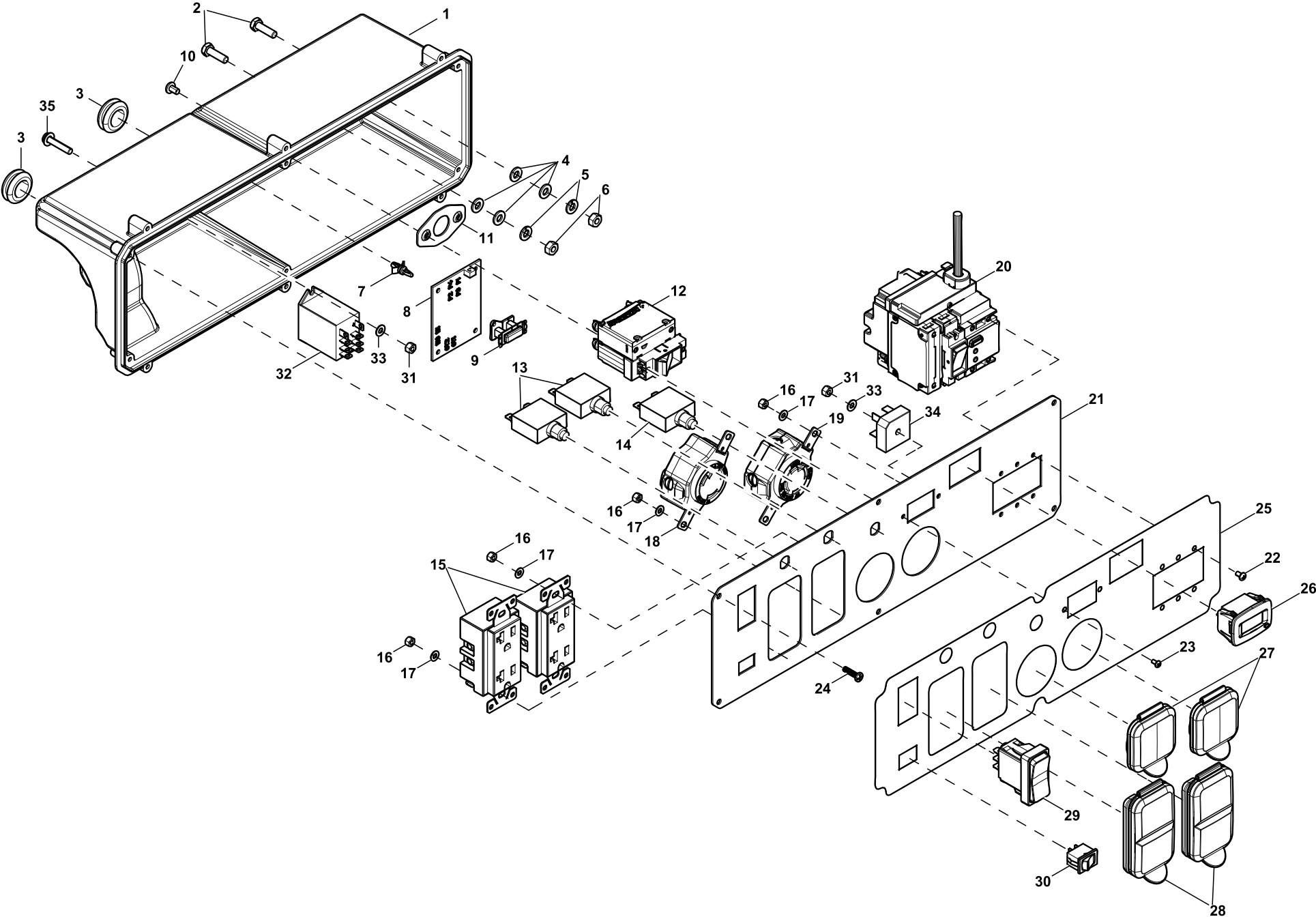
PAGE 2

1	10000003248	2	ST15 LIFTING EYE XC
2	10000003291	2	ST03 LIFT EYE COVER XC
3	10000000188	2	BINDING POST ASSEMBLY #10-24 TH
4	OJ9125	6	NUT HEX FL WHIZ M8-1.25
5	OG5445	2	SCREW HHTT M8-1.25 X 20
6	OK9233	12	SCREW HHFCS M6-1.0 X 20 G8.8
7	OJ1321	12	WASHER FLAT M6 NYLON
8	10000003233	1	ST19 SKIRT LONG SIDE XP
9	10000001958	5	NUT CLIP-ON M6X1.0
10	OG6392	1	BOOT VINYL STARTER-SOLENOID
11	075763A	1	BOOT BATTERY CABLE
12	0742600196	1	WIRE ASSY SOL TO BATT-POS
13	052618	4	SCREW HHC M5-0.8 X 12 C8.8
14	OH3535	6	NUT FLANGE M5-0.8 NYLOCK
15	0742600193	1	WIRE ASSEMBLY
16	OH7945	1	ASSEMBLY BATTERY STRAP
17	10000003250	1	ST19 SKIRT ALTERNATOR SIDE XC
18	OH1779	8	SCREW HHFC M8-1.25 X 45
19	10000007075	1	ST03 FRAME ONE-PIECE XC6500E/8000E

EXPLODED VIEW: EV GENERATOR 426 ES PORT XC**DRAWING #: 1000005884****GROUP EV**

ITEM	PART#	QTY.	DESCRIPTION
20	1000003285	1	ST03 BRACKET HANDLE
21	0H1782	2	CAP NUT M8-1.25 BLACK ZINC
22	0L5584	1	SPRING PLUNGER M16 X 2
23	1000003284	1	ST03 BRACKET HANDLE
24	1000000732	2	SPACER SHOULDER 5/16 ID NYLON
25	1000000187	2	BOLT SHOULDER LOW PROFILE M6X1.0
26	0G3110	1	SCREW HHTT M6-1.0 X 20 ZINC
27	0A1658	1	WASHER LOCK SPECIAL 1/4"
28	0742600194	1	GRND WIRE PORT BRG CARR-FRAME
29	055414	1	LUG SLDLSS #2-#8 X 17/64 CU
30	067210B	1	DECAL GROUND
31	097400	1	CSA HIPOT DECAL
32	0L5254	1	ASSY C-PNL XC6500E (6500W UNITS)
	1000000568	1	ASSY C-PNL XC8000E (8000W UNITS)
33	1000003245	1	ST19 SKIRT CONTROL PANEL SIDE XC
34	0K3130	6	SCREW PPPH M5-0.8 X 16 BZC
35	1000004597	1	DECAL BRAND C-PNL XC6500 (6500W UNITS)
	1000004210	1	DECAL BRAND C-PNL XC8000E (8000W UNITS)
36	0K8672	1	AXLE 15.87 DIA X 684 CLR ZINC
37	1000003228	2	WHEEL 10" DIA SKID PATTERN
38	022247	2	WASHER FLAT 5/8 ZINC
39	0H3443	2	COTTER HAIRPIN 2.56 X .80
40	1000010375	2	FOOT ASSEMBLY XC
41	0E8388	1	NUT HEX FL WHIZ M6-1.0
42	0A1718	1	SCREW SET M8-1.25 X 8
43	1000002475	1	DECAL QUICK START PRO SERIES
44	1000003454	1	ST19 SKIRT ENGINE SIDE XC
45	0L57660AL15	1	LATCH HANDLE XC ORANGE
46	1000007045	1	ST03 WELD HDL H-STYLE FOLD DOWN XC
47	1000003055	2	HANDLE GRIP PRO SERIES
48	0H1780B	2	CURVED HEAD M8-1.25 X 50MM LNG
49	0G9449	1	BATTERY 12V SEALED

GROUP A



EXPLODED VIEW: EV CNTRL PNL 426 XC

DRAWING #:10000005896

GROUP A

ITEM	PART#	QTY.	DESCRIPTION
1	0L5255	1	CPNL ENCLOSURE XP8000E
2	042568	2	SCREW HHC M6-1.0 X 20 C8.8
3	029107	2	GROMMET 7/8 X 3/16 X 5/8
4	049811	4	WASHER FLAT M6
5	022097	2	WASHER LOCK M6-1/4
6	049813	2	NUT HEX M6-1.0 G8 CLEAR ZINC
7	040213C	4	PCB SUPPORT SNAP-IN 3/16"
8	0H8447	1	ASSY PCB XP PORTABLE CNTRL
9	084028	1	TRANSFORMER IDLE CNT
10	0E5333	2	SCREW PHTT M5-0.8 X 8 ZINC
11	0H3349	1	WIRE ADAPTER PLATE
12	10000000727	1	CB 30A 2P CUL/CSA FLUSH
13	0H0265C	2	CB 20A 1P CUL/CSA
14	0H0265E	1	CB 30A 1P CUL/CSA
15	0D4968	2	OUTLET 20A 120V DPLX 6342BK
16	0E6480	8	NUT HEX LOCK M4-0.7 NY INS
17	043180	8	WASHER FLAT M4
18	G068868	1	OUTLET 30A 120V RECEPT
19	0G8758	1	OUTLET 30A 120/250V SPCGR
20	10000009267	1	CIRCUIT BREAKER RCBO GFCI 30A (6500W)
	10000005775	1	CIRCUIT BREAKER RCBO GFCI 35A (8000W)
21	0L5256	1	WLDMNT CPNL PLATE PRO 8000E
22	036900	6	SCREW PPHM #6-32 X 1/4
23	0G7057	2	SCREW PHTT M3-0.5 X 6 ZP
24	0G8382	6	SCREW PPHM #8-16 X .66" BZC
25	10000000341	1	DECAL CONTROL PANEL XP8 ES
	10000000336	1	DECAL CONTROL PANEL XP6.5 PS
26	10000009612	1	HOUR METER W/ALERTS AC/DC
27	0G9391	2	COVER,30A 120/240V
28	0G9392	2	COVER, 20A 120V GFCI/DUPLEX
29	0L0898	1	SWITCH MOMENTARY (6500W ES & 8000W)
	0L0914	1	SWITCH ON/OFF DPDT CENTURA 5 (6500W PS)
30	087968	1	SWITCH, ROCKER
31	0D9784	3	NUT HEX LOCK M3-0.5 NY INS
32	0E3927	1	RELAY DPDT NO 10A 120VAC COIL
33	0J7516	3	WASHER FLAT M3 BLACK ZINC
34	10000013110	1	BRIDGE RECTIFIER, GBPC1204
35	0G8058	2	SCREW PPHM M3-0.5 X 16 SEMS