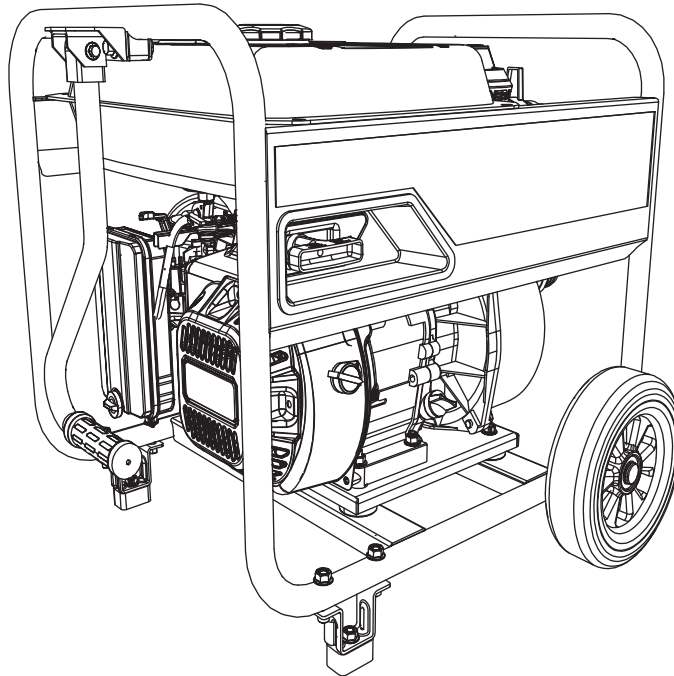


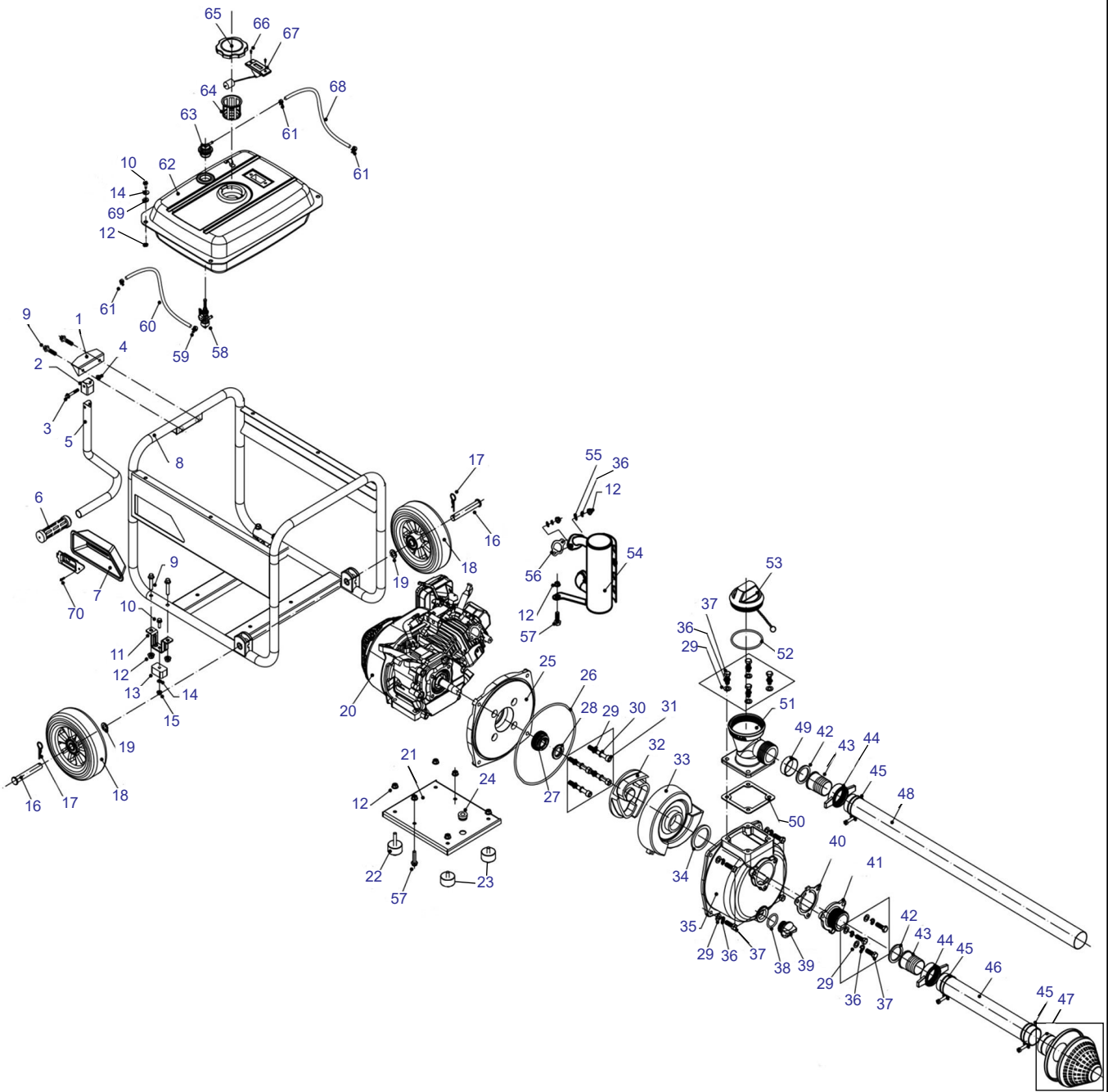
ST20k Water Pump

Parts Manual

Model: 0068220



The information in this manual is known to be accurate as of the date of release shown on the cover. However, engineering changes can occur without notice. To obtain the proper parts, be sure to use the serial number of the unit being serviced when ordering from this manual. Always refer to any part notes and changes before ordering. All other parts not shown in the manual can be found on Generac's exploded view drawings at www.generac.com or by contacting your local authorized dealer.



000913

Item	Part No.	Description	Qty.	Item	Part No.	Description	Qty.
1	0K95700110	HANDLE BRACKET	1	37	0K95700128	BOLT (M8X30)	4
2	0H3396	HANDLE SPACER	1	38	0K95700129	PLUG SEAL RING	2
3	0H33750245	FLANGE BOLT (M6X40)	1	39	0K95700130	GENERAC 2" PLUG	2
4	0H33750246	LOCKING NUT (M6)	1	40	0K95700131	ONE-WAY VALVE	1
5	0K95700111	HANDLE	1	41	0K95700156	SUCTION FLANGE 2"	1
6	0K9055	HANDLE GRIP	1	42	0K95700132	SEALING RING	2
7	0K9058	PLASTIC RECOIL RECESS POCKET	1	43	0K95700153	PIPE JOINT	2
8	0K95700112	FRAME FOR 2" WATER PUMP	1	44	0K95700134	JOINT GRIP	2
9	0H33750248	FLANGE BOLT (M8X40)	6	45	0K95700154	HOSE CLAMP	3
10	0K33910123	FLANGE BOLT (M6X20)	6	46	0K95700136	2" SUCTION HOSE-12 FEET LONG	1
11	0J66320ST03	BENT FOOT BRACKET	2	47	0K95700137	SUCTION FILTER	1
12	0J08180243	FLANGE NUT (M8)	15	48	0K95700138	2" DISCHARGE HOSE-25 FEET LONG	1
13	0J6633	RUBBER FOOT	2	49	10000017835	2" DISCHARGE FLANGE RUBBER RING (BLUE)	1
14	0J08180248	FLAT WASHER	6	50	0K95700140	DISCHARGE ELBOW GASKET	1
15	0H33750171	FLANGE NUT (M6)	5	51	0K9079	2" DISCHARGE FLANGE	1
16	0K2873	AXLE FOR 2" WATER PUMP	2	52	0K95700141	O-RING FOR GENERAC 2" PLUG	1
17	0K95700113	COTTER PIN (6145)	2	53	0K9080	GENERAC 2" PLUG	1
18	0H3392	WHEEL 8"	2	54	0K95700142	MUFFLER	1
19	0K33910124	FLAT WASHER	2	55	0K33910126	FLANGE BOLT WITH FLAT WASHER A (M8X25)	1
20	0K9552	ENGINE 208CC EPA3	1	56	0H3378	MUFFLER GASKET	1
21	0K95700114	BASE ASSEMBLY 2" WATER PUMP	1	57	0J08180244	FLANGE BOLT (M8X35)	2
22	0K95700116	SHOCK ABSORBER A	2	58	0H3384	FUEL SHUTOFF VALVE	1
23	0K95700115	SHOCK ABSORBER B	2	59	0J08180222	HOSE CLAMP	1
24	0K95700117	SHOCK ABSORBER OF PUMP BODY	1	60	0J6626	FUEL HOSE (4.5X8.5) PREFORMED HOSE	0.16
25	0K95700118	PUMP COVER	1	61	0H33750173	HOSE CLAMP	3
26	0K95700119	PUMP COVER O-RING	1	62	0K95700143	FUEL TANK 11.5L	1
27	0K95700120	MECHANICAL SEAL (STATIONARY)	1	63	0K95700144	ROLL-OVER VALVE	1
28	0K95700121	MECHANICAL SEAL (DYNAMIC)	1	64	0K95700145	FUEL TANK FILTER	1
29	0J08180229	FLAT WASHER	15	65	0K95700152	FUEL CAP (BLACK)	1
30	0K95700122	RUBBER WASHER	4	66	0K95700147	SCREW (M5X14)	2
31	0K95700123	HEXAGON SOCKET CAP SCREW (M8X60)	4	67	0K95700151	FUEL GAUGE	1
32	0K95700124	WATER PUMP IMPELLER	1	68	0K95700148	FUEL HOSE (4.5MM)	0.55
33	0K95700125	VOLUTE CASING	1	69	0K95700149	FUEL TANK SHOCK ABSORBER	4
34	0K95700126	O-TYPE SEAL RING	1	70	0K95700150	CROSS SELF TAPPING SCREW	1
35	0K95700127	PUMP BODY (2" WATER PUMP)	1				
36	0J08180230	SPRING WASHER	14				

Part No. 0K9570PMNL Rev D 01/17/2019
©2019 Generac Power Systems, Inc.
All rights reserved
Specifications are subject to change without notice.
No reproduction allowed in any form without prior written consent
from Generac Power Systems, Inc.

GENERAC[®]

Generac Power Systems, Inc.
S45 W29290 Hwy. 59
Waukesha, WI 53189
1-888-GENERAC (1-888-436-3722)
www.generac.com