

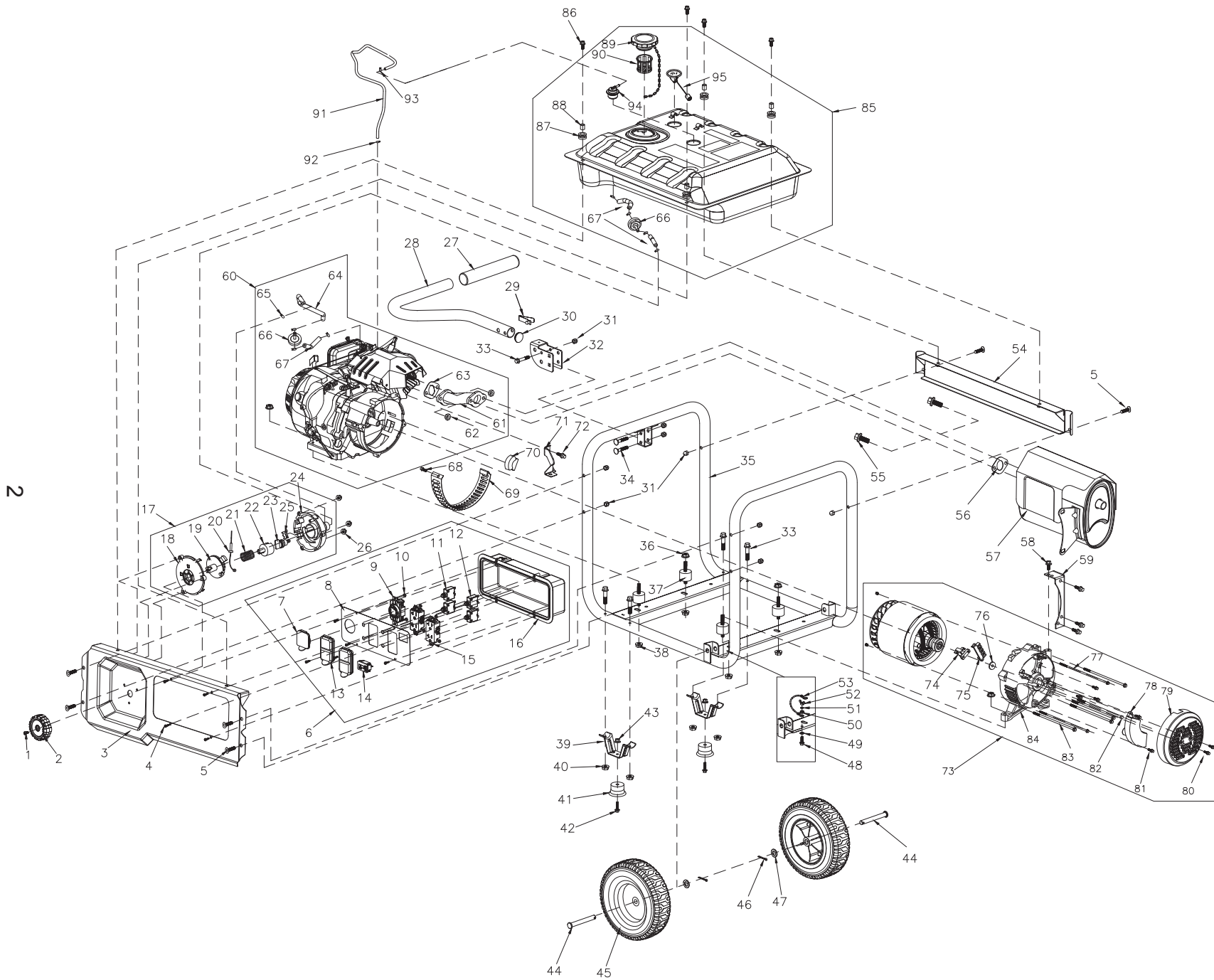


# Parts Manual

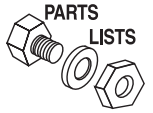
**RS5500 389CC** (Model 0066720 & 0066740(CSA))

## **NOTICE!**

The information in this manual is known to be accurate as of the date of release shown on the cover. However, engineering changes can occur without notice. To obtain the proper parts, please be sure to use the serial number of the unit being serviced when ordering from this manual. Always refer to any parts notes and changes before ordering. All other parts not shown in this manual can be found on Generac's exploded view drawings online on GENservice at [www.generac.com](http://www.generac.com).



# RS5500 Model 006672-0



Item	Part #	Qty	Description
1	0K3130	1	SCREW, PLATE M5X10
2	0K6452	1	KNOB, POWER DIAL
3	0K62210ST19	1	RAIL, FRAME, CP SIDE
4	0H91980159	8	SCREW, SELF TAPPING, ST4.0X16
5	0H1780	6	BOLT, CURVED HEAD, M8X40
6	0K65110110	1	PANEL ASSY., CONTROL
7	0G9391	1	COVER, OUTLET
8	0K65110111	1	FACE PLATE, CONTROL PANEL
9	0G8758	1	OUTLET, 30A 120/250V SPCGR
10	0K65110112	6	NUT, M4
11	0H0265D	2	BREAKER, CIRCUIT 25A
12	0H0265C	2	BREAKER, CIRCUIT 20A
13	0G9392	2	COVER, OUTLET
14	0G8321	1	METER, HOUR
15	0D4968	2	OUTLET, 20A 120V DUPLEX 6342
16	0G9756	1	COVER, CONTROL PANEL BACK
17	0K6451A	1	SWITCH, COMB , POWER DIAL ASSY.
18	0K6343	1	COVER, POWER DIAL
19	0K6447	1	SHAFT, POWER DIAL
20	0K6457	1	CHOKE, LASSO
21	0K6463	1	SPRING, POWER DIAL
22	0K6448	1	ADAPTER, POWER DIAL
23	0K7078	1	SWITCH, FUEL, POWER DIAL
24	0K6446	1	CASE, POWER DIAL
25	0J9789	1	SWITCH, MICRO
26	0G84420272	3	NUT M6
27	0G8442C113	1	GRIP, HANDLE
28	0H97560ES03	1	HANDLE, BLACK
29	0J5347	1	BUTTON, SNAP
30	0H9760	1	PLUG, HANDLE
31	0H1782	9	CAP, LOCKING NUT
32	0K65110114	1	BRACKET, BLACK
33	073144	5	BOLT, M8X45
34	0H1781	2	BOLT, CARRIAGE HEAD
35	0K6012AES03	1	FRAME, BLACK
36	0J4029	4	NUT M10

Item	Part #	Qty	Description
37	0K09150110	4	MOUNT, RUBBER VIBRATION
38	0K22930127	4	NUT, M8
39	0K0097	2	FRAME, BENT FOOT
40	0K0098	4	NUT, M8
41	0J8836	2	FOOT, RUBBER
42	0K0100	2	BOLT, M6X28
43	0K0105	2	NUT, M6
44	0H0204	2	PIN, AXLE
45	0K6011	2	WHEEL
46	0D4999	2	PIN, COTTER
47	022304	2	WASHER, FLAT, 13X2
48	0J35220156	1	BOLT, M6X20
49	0K0093	1	WASHER, SPECIAL LOCK
50	0G84420272	1	NUT, M6
51	0J47870118	1	WASHER, FLAT, 6X0.8
52	0K0094	1	NUT, M6
53	0K20670114	1	WIRE ASSY., GROUND
54	0H9749AST19	1	RAIL, BACK
55	0E9507B	2	BOLT, M8X25
56	0J4691	1	GASKET, MUFFLER EXHAUST
57	0J8672	1	MUFFLER
58	0E9470	4	BOLT, M8X16
59	0J97760112	1	BRACKET, MUFFLER
60	0G8442G	1	ENGINE, 389CC
61	0J4535A	1	PIPE, EXH. MANIFOLD
62	0J35220161	2	NUT, M8
63	0G9028	1	GASKET, EXHAUST CYLINDER
64	0K65110117	1	HOSE, FUEL 12.7X250
65	0H9838C110	8	CLAMP, 012
66	0K65110118	2	FILTER, FUEL
67	0K65110119	3	HOSE, FUEL 12.7X75
68	0J00620100	1	BOLT, M5X10
69	0H9761	1	COVER, DUST
70	0J86620104	1	BAFFLE
71	0G8442C112	1	BRACKET, AIR CLEANER
72	0G84420194	3	BOLT, M6X12
73	0J8363	1	ALTERNATOR ASSY.
74	0H0919	1	BRUSH, ALTERNATOR
75	0J83630111	1	TERMINAL, WIRE CONNECTION



# RS5500 Model 006672-0

Item	Part #	Qty	Description
76	0J86620102	1	WASHER, FLA M10X4
77	0J83630110	2	BOLT, M5X204
78	0H2579B	1	AVR
79	0H3049	1	COVER, GENERATOR END
80	0J4967	6	BOLT, M5X12
81	0J4968	3	BOLT, M5X16
82	0J8448	1	BOLT, ROTOR, M10X255
83	0J9069	4	BOLT, M6X165
84	0H91980171	1	HOUSING, BEARING, RR
85	0K62740ST15	1	TANK ASSY, FUEL 7 GAL
86	0E9507C	4	BOLT, M8X20
87	0H1411B	4	MOUNT, RUBBER, FUEL TANK
88	0H1610A	4	LINING INSERT, ANTI-CRUSH
89	0H0958A	1	CAP, FUEL
90	0H1326	1	FILTER, FUEL
91	0K0091	1	HOSE, FORMED ROV TO AIR BOX
92	0H9838C110	1	CLAMP, 012
93	0J35220174	1	CLAMP, 010
94	0J7921	1	ROV
95	0K09150112	1	GAUGE, FUEL
NOT SHOWN	0G5743A	1	CORD, EXTENTION 20FT.