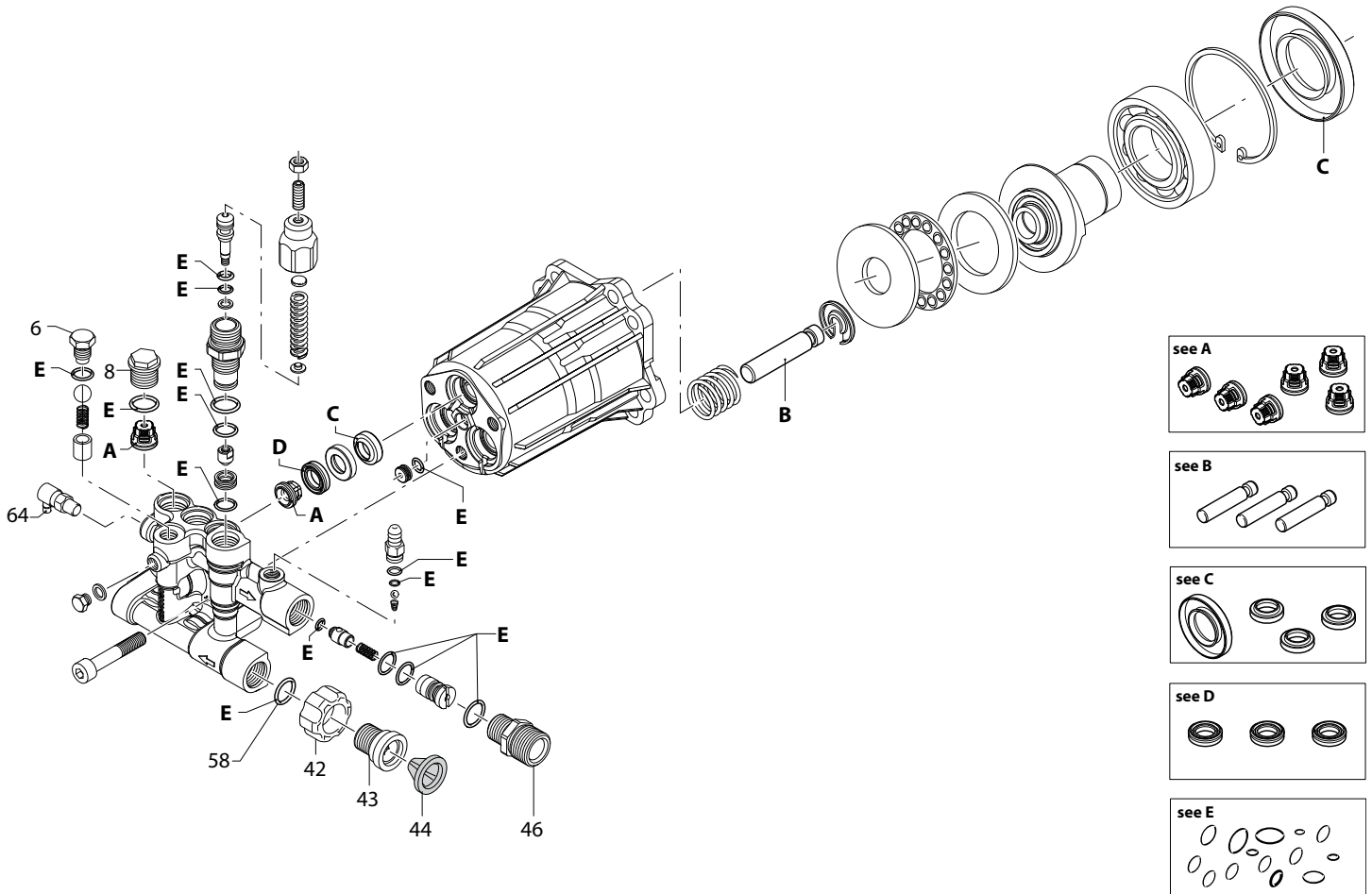


EXPLODED VIEW: EV POWER WASHER LOWES 2800**DRAWING #: 0K4086****GROUP EV**

ITEM	PART#	QTY.	DESCRIPTION
1	0K4085	1	HANDLE
2	0J3079	4	GROMMET-NOZZLE
3	0K4084A	1	BILLBOARD
4	0J1449	4	FASTENER RIBBED SHANK CHRSTM T
5	0K4113	1	DECAL LOGO LOWES 2800 PSI
6	0K5580	1	PUMP
7	0J3315	4	SCREW SHC M8-1.25X25 C8.8 ZP
8	092479	4	WASHER LOCK M8 RIBBED
9	0K4051	1	ENGINE
10	021217	4	VIB MNT 16 X 35 X M8-1.25
11	067989	8	NUT HEX FL WHIZ M8-1.25
12	0K4078A	1	CAP, CHEM TANK, W/ HOSE CUTOUT
13	0K4076B	1	TANK, CHEMICAL, NO LOGO
14	0J3331	2	SCREW BFHSC M6-1.0 X 45 BLK ZP
15	0K0982	2	RING, SNAP 1/2 TYPE E
16	022304	3	WASHER FLAT 1/2 ZINC
17	0J6276	2	WHEEL 10" X 1.75"X0.5" DIA 2PC
18	0D3700	2	NUT FLANGE M6-1.0 NYLOK
19	0J2229	1	VIBRATION MOUNT
20	0K5422	1	RIVET POP .25 X 0.625 STEEL
21	0K4074	1	WELDMNT TUBE FRAME BLACK
22	0G5442	2	SNAP BUTTON - .437" DIA. HEAD
23	0K4055	2	TUBE HANDLE
24	0K6007	1	DECAL QUICK START- FIXED SPEED
25	0J3374	1	DECAL QUICK START GC/GX
26	0J9739A	1	AXLE 1/2" DIA
27	0K5436A	1	HOSE 25' X 5MM WHT/ORG CLR
28	0H9640	1	LANCE ASSY-20" LONG
29	0H9642A	1	GUN ASSEMBLY - GC
30	0H9617H	1	KIT-NOZZLE
31	0J3052	1	HOOK-HOSE
32	0K6667	1	DECAL, LOWES 2800 CHEM. TANK

POWER WASHER PUMP, AXIAL-2.2GPM 2600 PSI – REPLACEMENT PARTS



REF. #	Generac Part #	QTY	Description
	0K5580	1	PUMP, AXIAL 2.2GPM 2600 PSI
6	0H95650130	1	PLUG, SCREW UNLOADER
8	0K55800110	1	PLUG, VALVE
42	0H95650120	1	FITTING, SUCTION
43	0H95650121	1	FITTING, SUCTION
44	0H95650122	1	FILTER
46	0H95650123	1	FITTING, OUTLET
58	0H95650124	2	O-RING 014X2
64	0H9570	1	VALVE ASSY., THERMAL RELIEF

REF. #	Generac Part #	Description
A	0K55800111	KIT - VALVES
B	0H95650111	KIT - PISTONS
C	0J93750102	KIT - OIL SEALS
D	0H95650113	KIT - WATER SEALS
E	0K16630110	KIT - O-RINGS

GENERAC®

Generac Power Systems, Inc.
 S45 W29290 Hwy. 59
 Waukesha, WI 53189
 1-888-GENERAC (1-888-436-3722)

Part No. 0K5580PMNL Printed in USA Rev. A 05/01/14
 ©2014 Generac Power Systems, Inc. All rights reserved.
 Specifications are subject to change without notice
 No reproduction allowed in any form without prior written consent from Generac Power Systems, Inc.

generac.com

Internal Use Only – Not for Distribution