



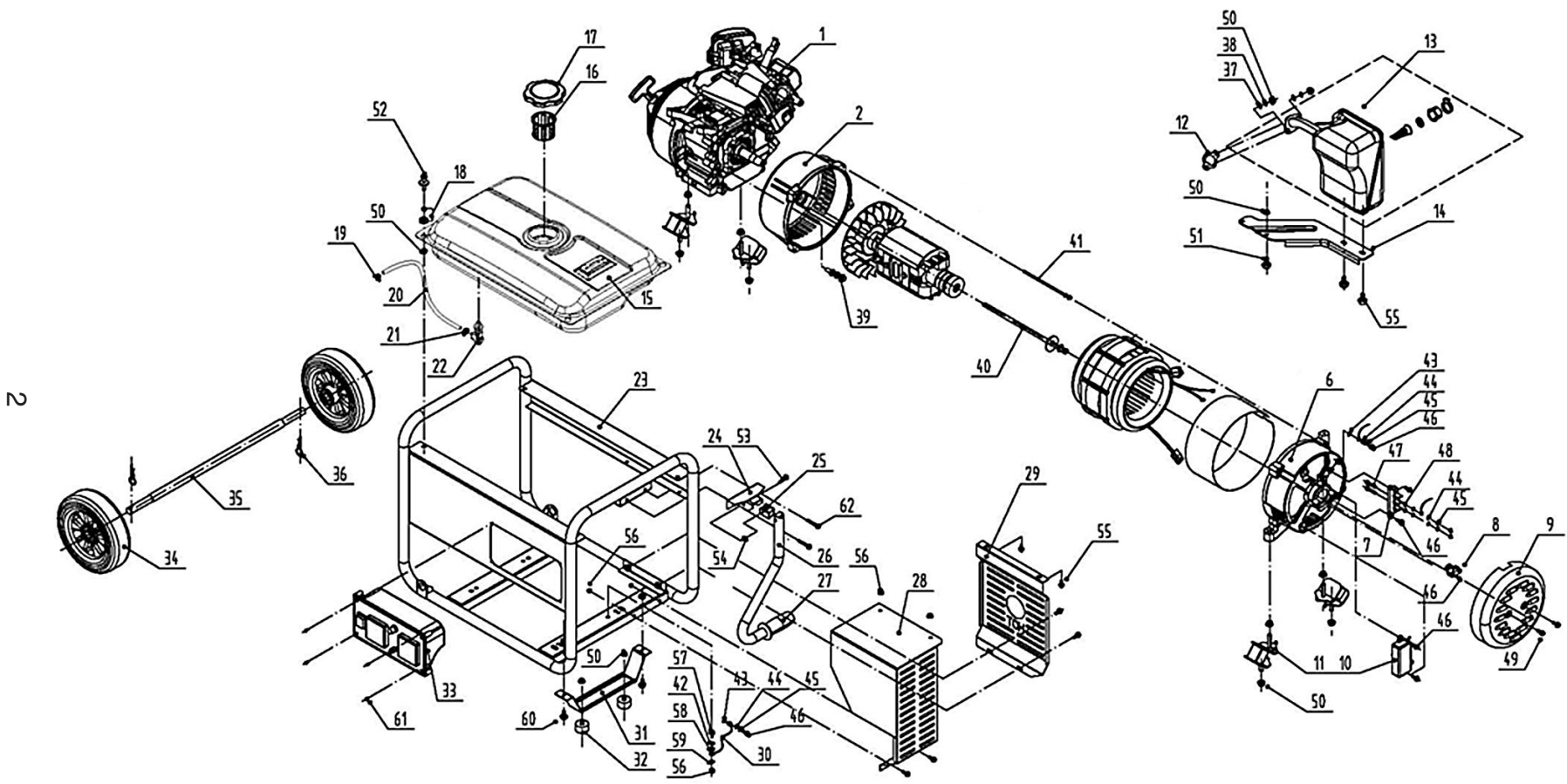
Parts Manual

GP2600 208cc 50Hz (Model 0064250)

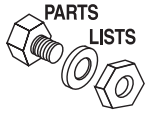
First unit begins with serial number 7654560B

NOTICE!

The information in this manual is known to be accurate as of the date of release shown on the cover. However, engineering changes can occur without notice. To obtain the proper parts, please be sure to use the serial number of the unit being serviced when ordering from this manual. Always refer to any parts notes and changes before ordering. All other parts not shown in this manual can be found on Generac's exploded view drawings online on GENservice at www.generac.com.

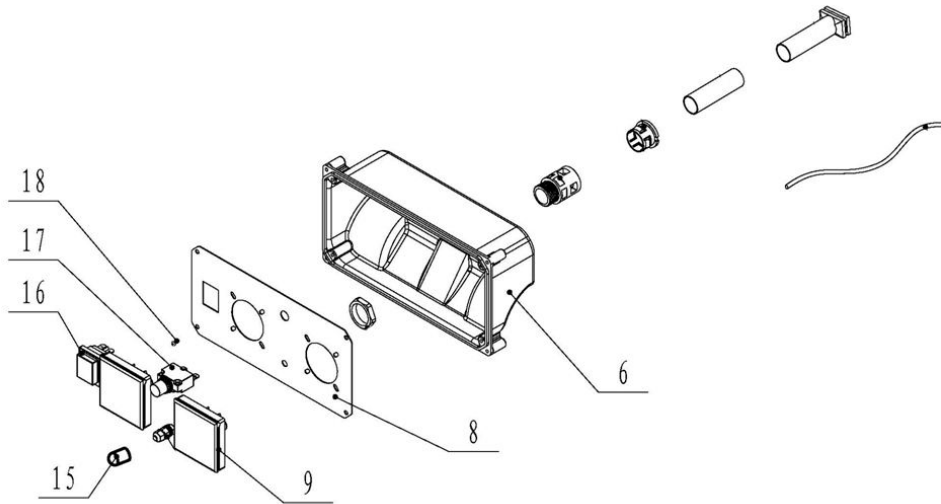


GP2600



Item	Part #	Qty	DESCRIPTION
1	0J9480A	1	ENGINE 208CC AUS 50HZ
2	0H3976	1	ADAPTOR CASTING, ENG/ALT 3250W
3	don't service	1	ROTOR
4	don't service	1	STATOR
5	don't service	1	ALTERNATOR GUARD BOARD
6	0J6975	1	REAR BEARING CARRIER 190
7	0J6979	1	REAR WIRING FRAME ORANGE
8	0H3380	1	ASSEMBLY BRUSH PORTABLE
9	0H3382	1	COVER, ALTERNATOR
10	0J94810111	1	3KW AVR
11	0H3415	4	VIB MOUNT 35 X 15 X M8-1.25
12	0H3378	1	GASKET MUFFLER 163/208CC
13	0K20650110	1	MUFFLER
14	0H3379	1	BRACKET MUFFLER MNT 163/208CC
15	0J94810113	1	FUEL TANK SUBASSEMBLY
16	0H1326	1	FILTER, FUEL
17	0G84300105	1	FUEL TANK CAP
18	0J6679	4	RUBBER MOUNT 8 ID X 5 HGT
19	048031B	1	CLAMP HOSE BAND SPRING .38
20	0J6626	0.16	FUEL HOSE,4.5 ID,8.5 OD,160 LG
21	048031B	1	CLAMP HOSE BAND SPRING .38
22	0H3384	1	VALVE FUEL SHUTOFF 4GAL TANK
23	0H34070ST15	1	ASSY FRAME GP3250 1-PIECE
24	0H34080ST15	1	BRACKET, HANDLE 3.25KW PORTABLE
25	0H3396	1	SPACER HANDLE PLASTIC 3.25KW
26	0H33940ST15	1	HANDLE 3250W GP
27	0H3395	1	GRIP HANDLE 3250W GP
28	0H33900ST03	1	HEAT SHLD EXHST FRNT 163/208CC
29	0H33890ST03	1	HEAT SHIELD,EXHAUST SIDE
30	0J94810114	1	WIRE, GROUND
31	0H33930ST03	1	BRACKET FOOT 3.25KW PORTBLE
32	0H1829	2	VIB MNT 38.1 X 25.4 X M8-1.25
33	0K20650111	1	PANEL ASSY., CONTROL

Item	Part #	Qty	DESCRIPTION
34	0H3392	2	WHEEL, 8" NEVER-FLAT 3.25KW
35	0H3391	1	AXLE, SOLID 3.25KW UP PORTABLE
36	0H3443	2	COTTER HAIRPIN 2.56 X .80
37	067989	2	FLAT WASHER
38	067989	2	SPRING WASHER
39	0E9507B	4	SCREW HHFC M8-1.25 X 25 W/ M10
40	0J6588	1	SCREW HHFC 5/16-24 X 8.26
41	0J6589	4	SCREW HHC M6-1.0 X 130
42	0J08180235	1	SPRING WASHER
43	0J6678	2	EXTERNAL TOOTH LOCK WASHER
44	080857	6	FLAT WASHER
45	080856	4	SPRING WASHER
46	0J4968	7	SCREW HHFC M5-0.8 X 16
47	052619	2	SCREW HHC M5-0.8 X 20 G8.8
48	051716	4	NUT HEX M5-0.8 G8 CLEAR ZINC
49	0J4967	2	SCREW HHFC M5-0.8 X 12
50	067989	17	FLANGE NUT M8
51	089230	1	FLANGE BOLT M8X35
52	0E9507B	4	FLANGE BOLT M8X25 (WITH FLAT WASHER)
53	051753	1	FLANGE BOLT M6X40
54	0E8388	1	BLOCKING NUT M6
55	0G1705	8	FLANGE BOLT M6X12
56	0E8388	5	FLANGE NUT M6
57	0G1705	1	FLANGE BOLT M6X14
58	049811	1	FLAT WASHER
59	026850	1	EXTERNAL TOOTH LOCK WASHER
60	042907	2	FLANGE BOLT M8X16
61	0G8382	4	CROSS RECESSED PAN HEAD TAPPING SCREWS ST4.2X12
62	057821	2	FLANGE BOLT M8X40
Not Shown	0K20650112	1	SPARK ARRESTOR ASSY
Not Shown	0K1880	1	ALTERNATOR ASSY.



Item	Part #	Qty	DESCRIPTION
6	0H3386	1	BACK BOX C-PNL 1.8/3.25KW
8	0K2071	1	FACEPLATE CONTRL PANEL GP2600
9	0K20650113	2	RECEPTACLES 250V 15A

Item	Part #	Qty	DESCRIPTION
15	0K20650114	1	COVER, WATERPROOF
16	0H33750287	1	SWITCH, ON/OFF ROCKER
17	0J94810119	1	BREAKER, CIRCUIT, 12A
18	0G8382	4	SCREW PPPH #8-16 X .66" BZC