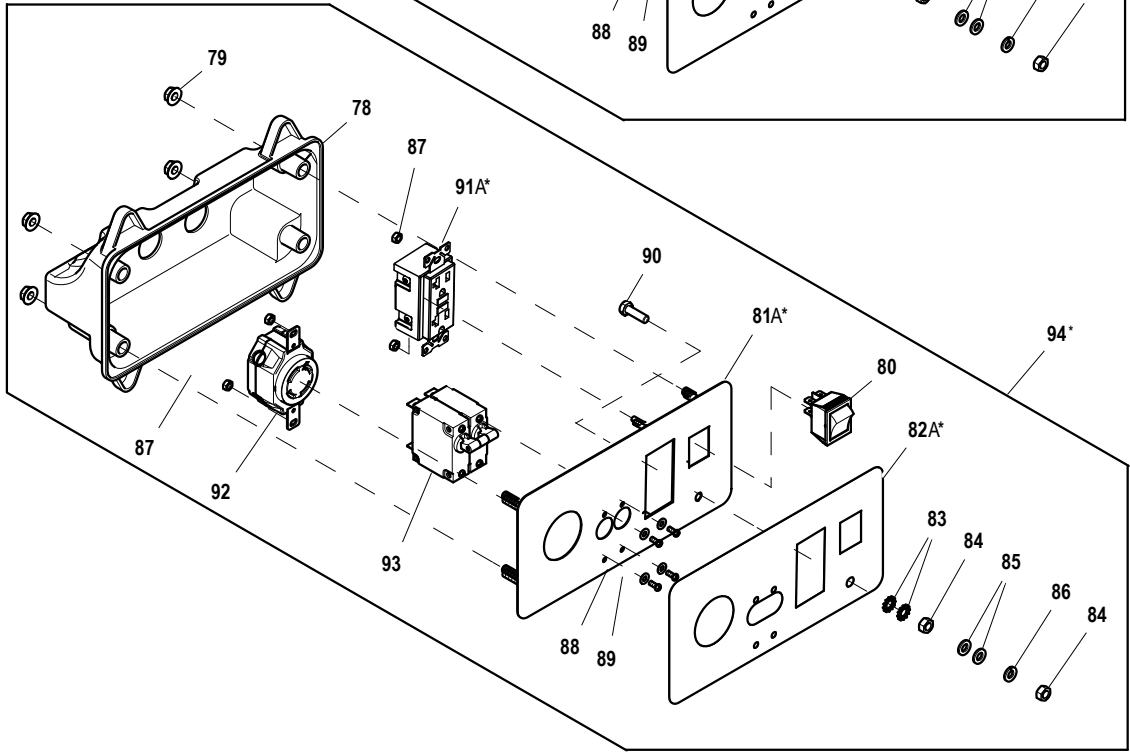
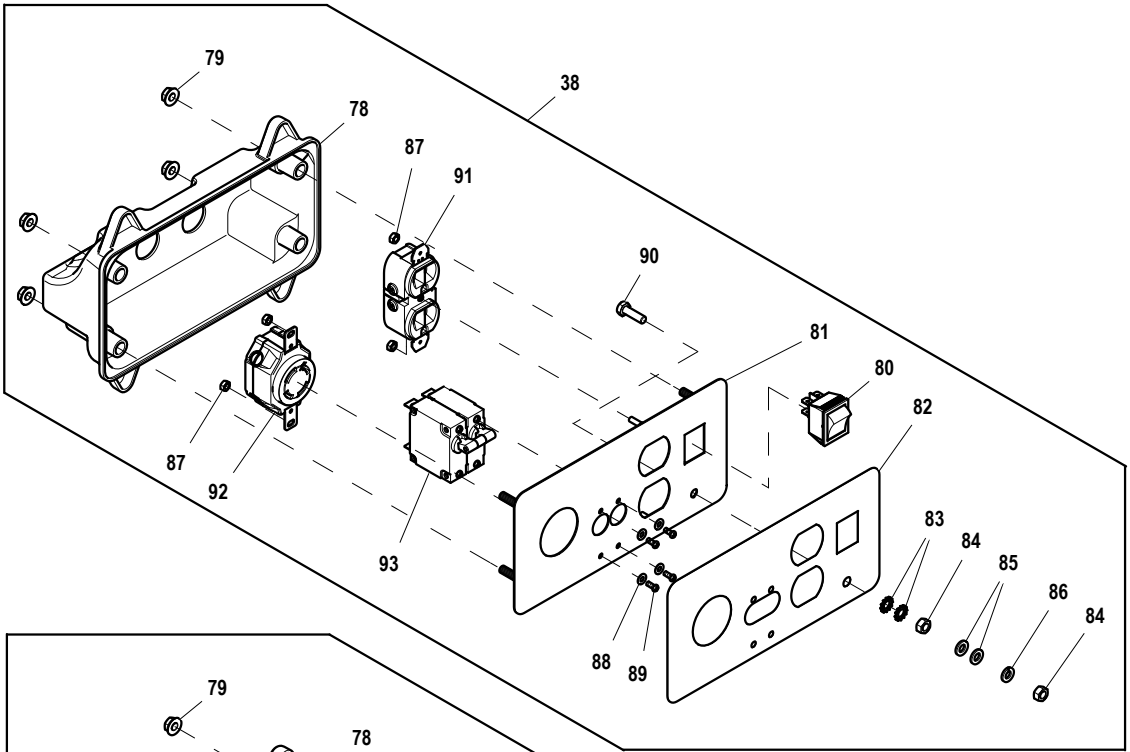


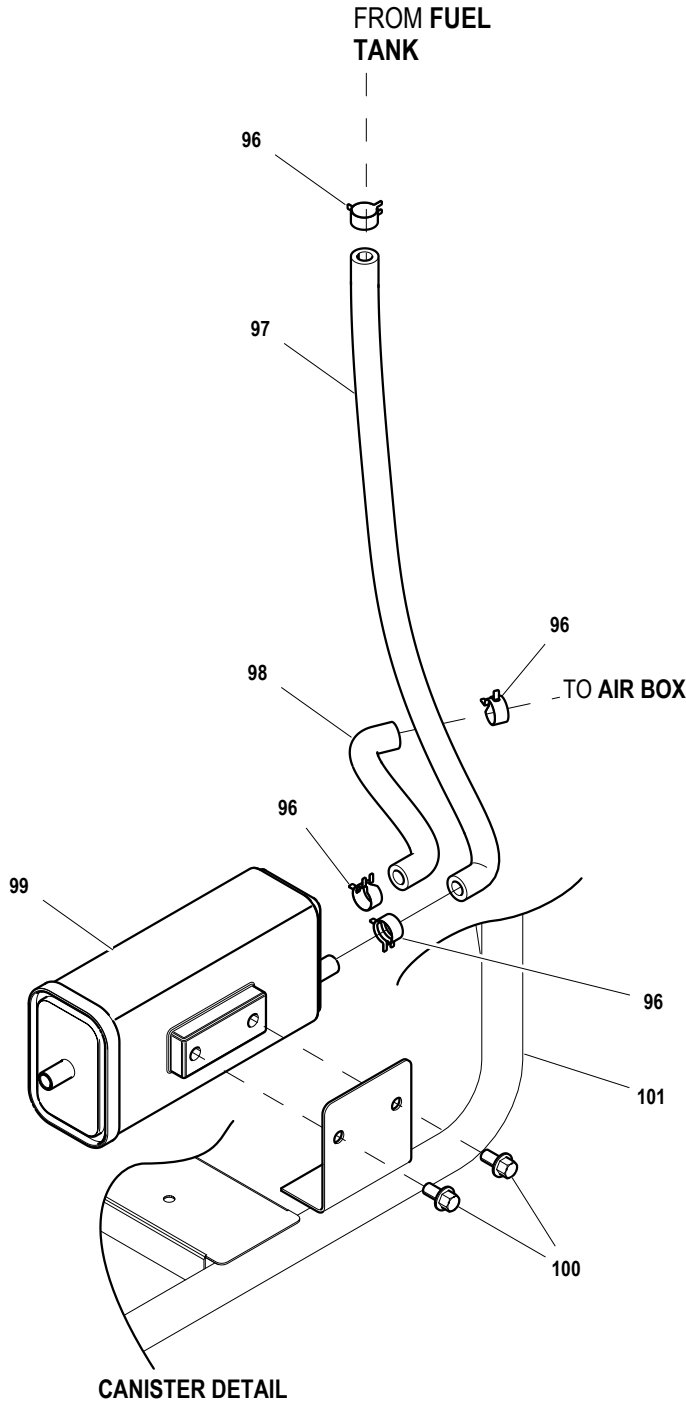
ITEM	PART	QTY.	DESCRIPTION
1	0H3375A	1	ENGINE 208 PS UP
2	0H3976	1	ADAPTOR CASTING,ENGI/ALT 3250W
3	0J6971	1	ROTOR ASSY
4	0J6972	1	STATOR ASSY
5	0J6977	1	WRAPPER 620X70
6	0J6975	1	REAR BEARING CARRIER 190
7	0G8753C	1	WIRE ASSY GND ALT TO BASE
8	0J6979	1	REAR WIRING FRAME ORANGE
9	0H3380	1	ASSEMBLY BRUSH 3.25KW PORTABLE
10	0H3382	1	COVER,ALTERNATOR 3.25KW
11	0H3381	1	AVR 3.25 KW
12	0H3415	4	VIB MOUNT 35 X 15 X M8-1.25
13	0H3378	1	GASKET MUFFLER 163/208CC
14	0J5204	1	AIR VALVE 2010
15	0J5205	1	GASKET AIR VALVE 2010 CARB
16	0J6970	1	WELDMENT MUFFLER CAT H3250
17	See TABLE 1	1	BRACKET MUFFLER MNT EPS PH3
18	0H1345A	1	FUEL GAGE, 90MM LONG ARM
19	0H1326	1	FILTER, FUEL
20	0H1325B	1	FUEL CAP,NOT VENTED, BLACK CAP
21	0J6679	4	RUBBER MOUNT 8 ID X 5 HGT
22	046031B	2	CLAMP HOSE BAND SPRING .38
23	0J6626	1	FUEL HOSE 4.5 ID, 8.5 OD, 160 LG
24	045761A	2	STUD M8-1.25/10MM X 30 G5 ZINC
25	0J0974	1	VALVE FUEL SHUTOFF
26	0J6560	1	HOSE, 7.5 ID, 13.5 OD, 300 LG
27	048031N	2	CLAMP HOSE BAND .53
28	0J6558	1	WLDMNT CRADLE END PANEL H3250
29	0J6509	1	CRADLE WELDMENT H3250
30	0J6619	1	SIDE MUFFLER SHIELD H3250
31	0J7082	1	INSIDE MUFFLER SHIELD H3250
32	0H3443	2	COTTER HAIRPIN 2.56 X .80
33	0H3392	2	WHEEL, 8" NEVER-FLAT 3.25KW UP
34	0H3391	1	AXLE, SOLID 3.25KW PORTABLE
35	049811	1	WASHER FLAT M6
36	0J6633	2	RUBBER FOOT RECTANGLE
37	0J6632	2	BENT FOOT 3250W HONEYWELL
38	See SHEET 2	-	ASSY CONTROL PANEL
39	0J6631	2	GRIP HANDLE 3250W HONEYWELL
40	0J6630	2	HANDLE H3250 PORTABLE
41	0G5442	2	SNAP BUTTON - .437" DIA. HEAD
42	0J6629	1	BRACKET HANDLE H3250 RH
43	0J6629A	1	BRACKET HANDLE H3250 LH
44	0E9507B	4	SCREW HHFC M8-1.25 X 25 W/M10
45	0J6588	1	SCREW HHFC 5/16-24 X 8.27
45A	050190	1	WASHER FLAT .344ID X 1.00D
45B	070006	5	WASHER LOCK M8 SS
46	0J6589	4	SCREW HHC M6-1.0 X 130
47	022097	5	WASHER LOCK M6-1/4
48	0J6678	2	WASHER LOCK INT M5 SS
49	080856	5	WASHER LOCK M5 SS
50	051716	6	NUT HEX M5-0.8 G8 CLEAR ZINC
51	0J4968	7	SCREW HHFC M5-0.8 X 16
52	052619	3	SCREW HHC M5-0.8 X 20 G8.8
53	080857	8	WASHER FLAT M5 SS
54	0J4967	2	SCREW HHFC M5-0.8 X 12
55	067989	15	NUT HEX FL WHIZ M8-1.25
56	0H1359	1	PLATE, FUEL GAGE
57	089230	1	SCREW HHFC M8-1.25 X 35 G8.8
58	See TABLE 1	1	ENGINE 208 PS W/MLFR HNYWL
59	078606	2	SCREW PPHM M6-1.0 X 12 SEMS
60	0E9507C	4	SCREW HHFC M8-1.25 X 20 W/M10
61	0E1552	6	SCREW HHFC M6-1.0 X 12 W/M5
62	0E8388	5	NUT HEX FL WHIZ M6-1.0
63	038150	8	WASHER FLAT #8 ZINC
64	0J4616	8	SCREW PPH #8-16 X 0.40" BZC
65	0J7317	1	WASHER LOCK EXT M6 CLEAR ZINC
66	0C8566	2	SCREW HHFC M6-1.0 X 20 G8.8
67	0E9507D	4	SCREW HHFC M8-1.25 X 40 W/M10
68	0H1779A	2	SCREW HHFC M8-1.25 X 43
69	0H1781B	4	CHB M6-1.00 X 37 MM LONG
70	0H1782A	4	CAP NUT M6-1.00 BLACK ZINC
71	0H1782	2	CAP NUT M8-1.25 BLACK ZINC
72	0J6331	1	PNL PLASTIC SIDE C-PNL HW3250
73	0J7435	1	WELDMENT FUEL TANK H3250
74	0G1705	10	SCREW HHFC M6-1.0 X 14 G8.8
75	0H1610B	4	ANTI-CRUSH 8OD 6.2ID SLG
76	070008	8	WASHER FLAT M8 SS
77	0G8382	4	SCREW PPH #8-16 X .66" BZC
78	0J6332	1	BADGE SIDE PANEL H3250
79	0H3378	1	ASSY ALTERNATOR 3250W PORTABLE
80	057824	1	CLAMP HOSE #16 .87-1.50
81	0H3377	1	SPARK ARRESTOR, 163/208CC
82	0J6617	1	ASSY MUFFLER H3250

MODEL	ITEM 58	DESCRIPTION	ITEM 17	DESCRIPTION
0059730	0J5628A	ENGINE 208 PS W/MLFR HNYWL	0H3379A	BRACKET MUFFLER MNT EPA PH3
0061500	0J5628E	ENGINE 208 PS W/MLFR HNYWL CARB	0H3379	BRACKET MUFFLER MNT 163/208CC



ITEM	PART	QTY.	DESCRIPTION
38	0J6615	1	ASSY CONTROL PNL H3250 49ST
78	0J6616	1	CNTRL PNL BACK BOX HNYWL 3250
79	049813	4	NUT HEX M6-1.0 G8 CLEAR ZINC
80	0J0251A	1	SW RUN-STOP HONEYWELL
81	0J7030	1	WELDMNT FACEPLATE H3250 49ST
*81A	0J7030A	1	WELDMNT FACEPLATE H3250 CARB
82	0J6333	1	OVERLAY CNTRL PNL HW 3250 49ST
*82A	0J6333A	1	OVERLAY CNTRL PNL HW 3250 CARB
83	0J7510	2	WASHER LOCK EXT 1/4 BLACK ZINC
84	0J7512	2	NUT HEX M6-1.0 G8 BLACK ZINC
85	0J7514	2	WASHER FLAT M6 BLACK ZINC
86	0J7513	1	WASHER LOCK M6 BLACK ZINC
87	051715	4	NUT HEX M4-0.7 G8 YEL CHR
88	0J7516	4	WASHER FLAT M3 BLACK ZINC
89	0J7515	4	SCREW PPHM M3-0.5 X 6 BLACK ZN
90	0J7511	1	SCREW HHC M6-1.0X20 C8.8 BLKZN
91	0H2928	1	OUTLET 20A 120V DPLX SPECGRADE
*91A	0D4966	1	OUTLET 20A 120V GFCI GF20BK
92	0H3342	1	OUTLET 20A 120/250V SPCGR
93	0H3417	1	CB 0014A 2P 250V
*94	0J7031	1	ASSY CONTROL PNL H3250 CARB

*USED ON MODELS SOLD IN CALIFORNIA ONLY.



ITEM	PART	QTY.	DESCRIPTION
96	048031N	4	CLAMP HOSE BAND .53
97	0J6560A	1	HOSE, 7.5 ID, 13.5 OD, 340 LG
98	0J6560B	1	HOSE, 7.5 ID, 13.5 OD, 200 LG
99	0J6635	1	CARBON CANISTER 2KW
100	090388	2	SCREW HHTT M6-1.0 X 12 ZINC
101	0J6509A	1	CRADLE WELDMENT H3250 CARB

SEE SHEET 1 FOR ALL OTHER PARTS

NOTE:

1. CALIFORNIA MODELS ONLY.