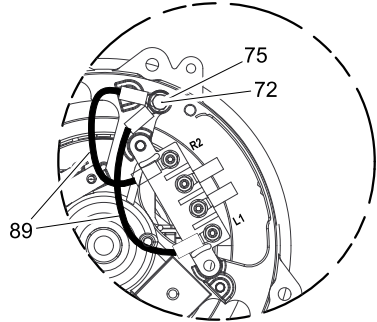
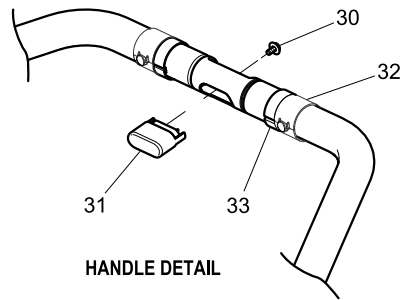


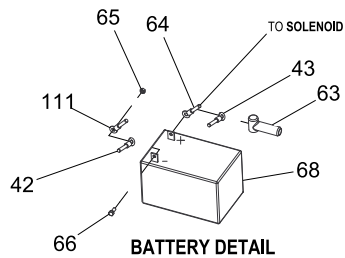
ENGINE FRONT DETAIL  
ROUTE HOSE THROUGH CLIP



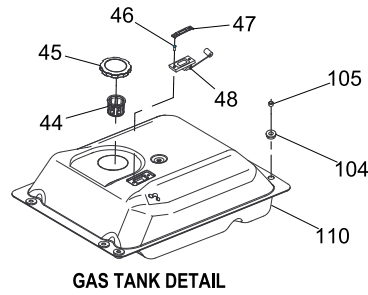
JUMPER WIRE DETAIL  
ON THE BEARING CARRIER



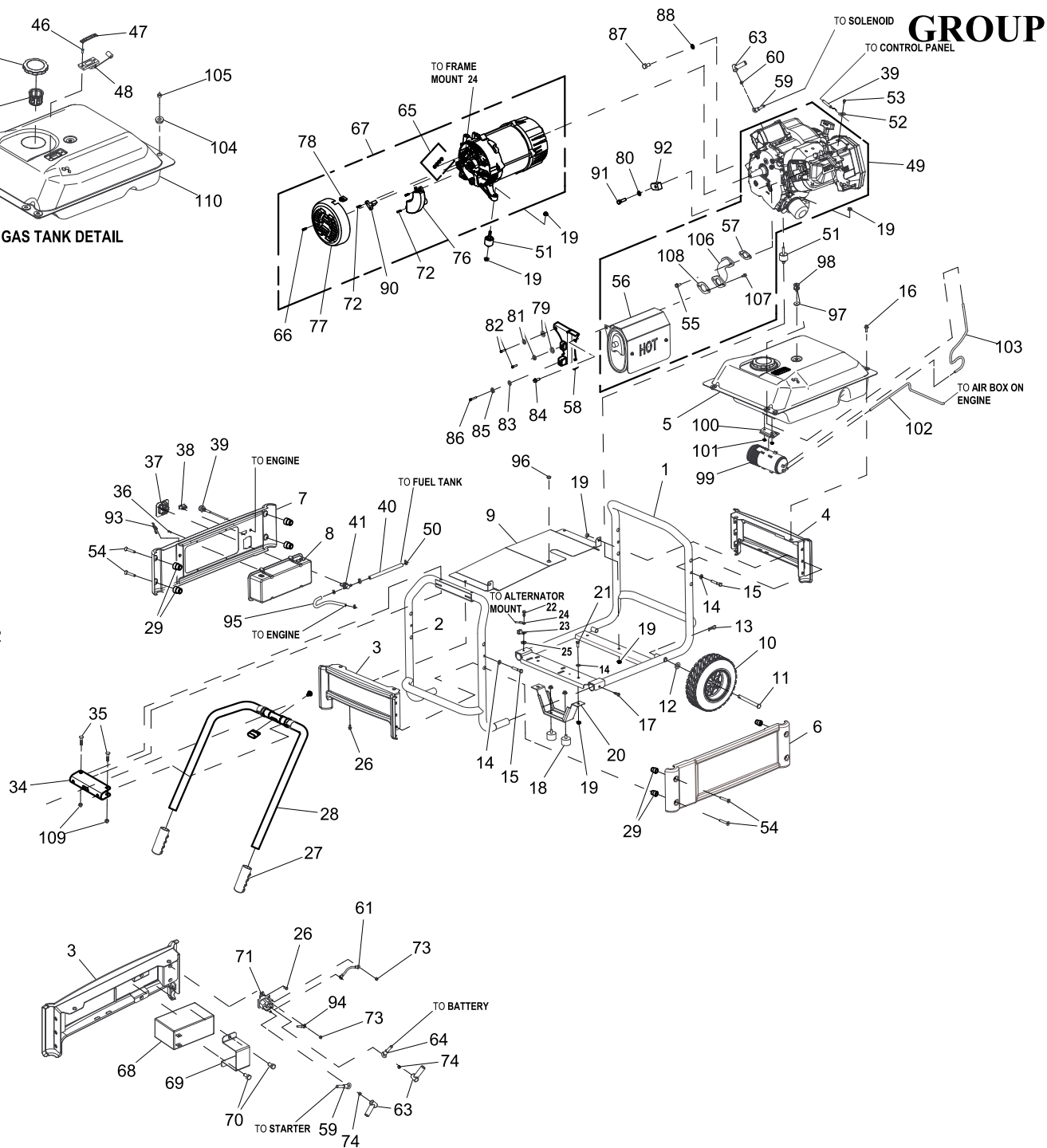
HANDLE DETAIL



BATTERY DETAIL



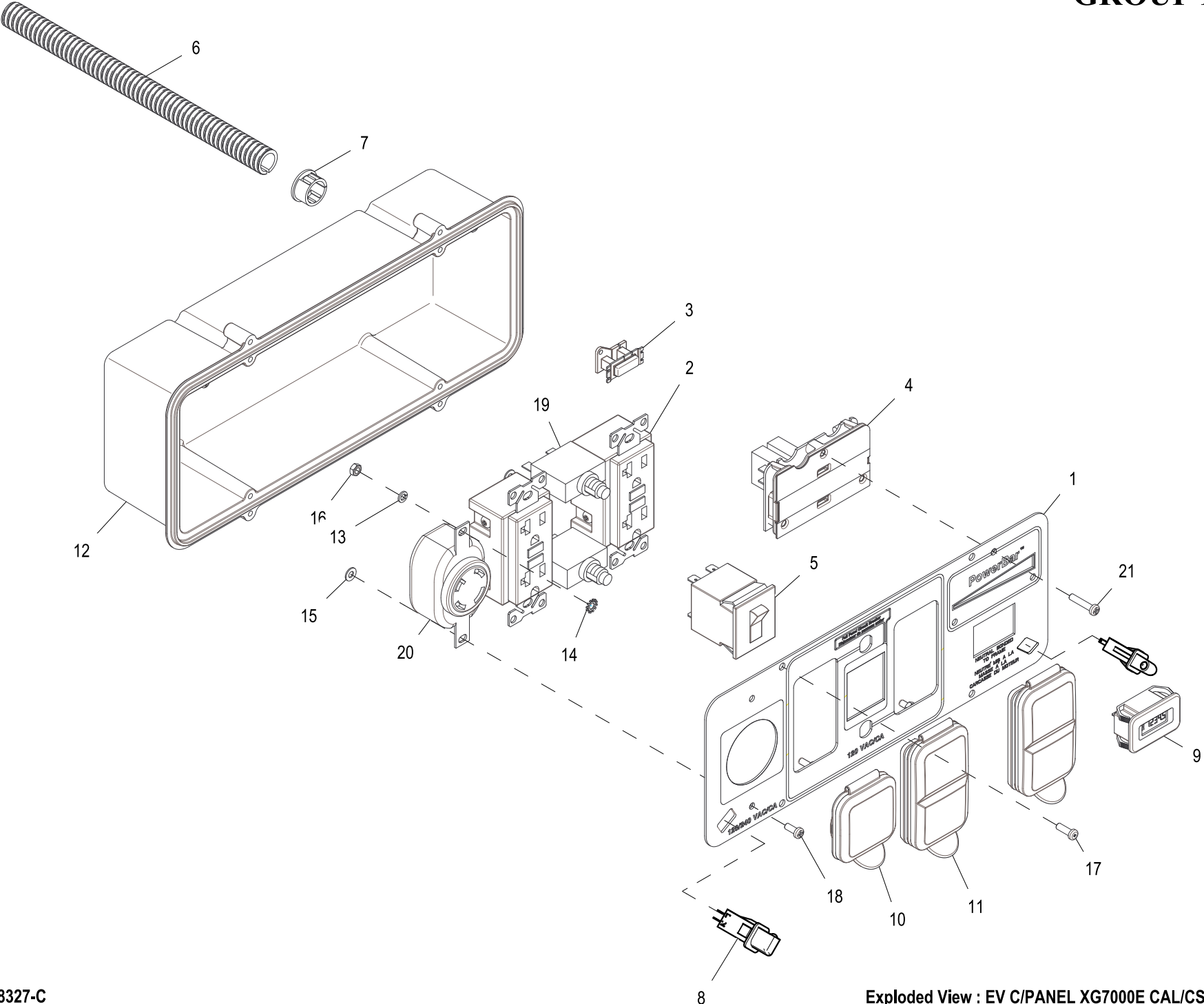
GAS TANK DETAIL



BACK PANEL DETAIL

**GROUP**

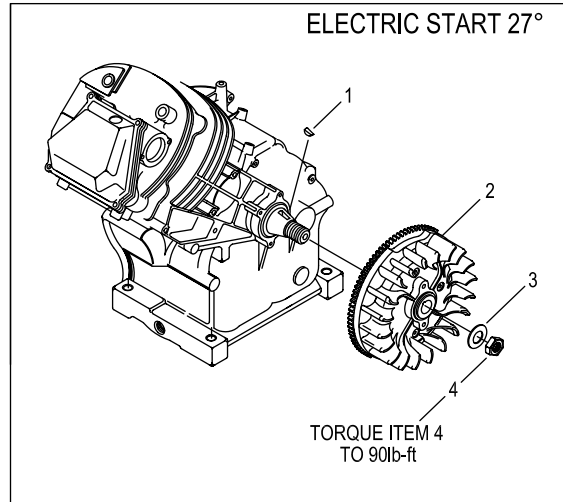
ITEM	PART	QTY.	DESCRIPTION	ITEM	PART	QTY.	DESCRIPTION
1	0J4654	1	FRAME,BASE,ASSY,XG8000E	57	090239	1	GASKET, EXHAUST
2	0J4653	1	FRAME,END,ASSY,XG8000E	58	0J6371	1	BRACKET WLDMNT MUFFLER
3	0H2392C	1	ASSY,END PNL ALT. END	59	0742600191	1	WIRE ASSEMBLY
4	0H2392A	1	ASSY,END PANEL XG8	60	0B2236	1	NUT HEX LOCK M6-1 NY INS
5	0H2564A	1	ASSY,FUEL TANK XG8 9GAL CARB	61	0H0228C	1	WIRE ASSY RED SOL TO SOL
6	0H2394B	1	PANEL, SIDE	62	0H4768B	2	JUMPER WIRE ASSEMBLY, 5.00" N
7	0H2394A	1	PANEL,C/PNL SIDE	63	0G6392	4	BOOT, VINYL STARTER-SOLENOID
8	0H5285C	1	ASSY RECP PANEL XG8KW CAL/CSA	64	0742600189	1	WIRE ASSEMBLY
9	0H6371	1	HEAT SHIELD, XG6.5-8	65	0H3535	6	NUT FLANGE M5-0.8 NYLOCK
10	0H4420	2	WHEEL,9.5",1/2" AXLE,XG RALLYE	66	052618	4	SCREW HHC M5-0.8 X 12 C8.8
11	0H1129	2	AXLE, PIN, 1/2 IN, XG	67	0K0799	1	8KW ALTERNATOR W/JUMPER WIRE
12	087171	2	WASHER FLAT 1/2 SS	68	0G9449	1	BATTERY 12V10AH SEALED
13	0H3443	2	COTTER HAIRPIN 2.56 X .80	69	0H2764	1	BRACKET,BATTERY,HOLD DOWN
14	022145	6	WASHER FLAT 5/16-M8 ZINC	70	092079	2	SCREW HHTT M6-1.0 X 25 BP
15	051731	4	SCREW HHC M8-1.25 X 50 C8.8	71	086729	1	CONTACTOR, STARTER SOLENOID
16	0G5445	4	SCREW HHTT M8-1.25 X 20	72	049815	8	SCREW HHC M5-0.8 X 16 G8.8
17	0L2176	2	SCREW HHSD PREMIUM 1/4-14X1 BZ	73	089338	2	NUT HEX LOCK #8-32 NY INS BRS
18	0H3590	2	VIB MNT 38.4 X 30.5 X M8-1.25	74	027529	2	NUT HEX LOCK 1/4-20 NY INS
19	067989	14	NUT HEX FL WHIZ M8-1.25	75	051713	1	WASHER FLAT M5
20	0H0720	1	BRACKET, BENT, FOOT, GX	76	0H2579C	1	AVR, 8.0KW ALTERNATOR
21	039253	2	SCREW HHC M8-1.25 X 20 C8.8	77	0H3049	1	COVER ALTERNATOR INLET
22	0G2018	1	SCREW HHSD 1/4-14 X 7/8	78	0G5206	1	GROMMET WIRE SLEEVE
23	055414	1	LUG SLDLSS #2-#8 X 17/64 CU	79	0D5303	2	WASHER FLAT .25ID X 1"OD ZINC
24	0742600186	1	GROUND WIRE BRG CAR-LUG 4KW	80	022129	1	WASHER LOCK M8-5/16
25	0A1658	1	WASHER LOCK SPECIAL 1/4"	81	070005	2	WASHER LOCK M6 SS
26	090388	4	SCREW HHTT M6-1.0 X 12 ZINC	82	040945	2	SCREW SHC M6-1.0 X 20 C12.9 ZP
27	0G8465	2	GRIP NUBBED 1-1/4"X4-3/8"	83	070008	1	WASHER FLAT M8 SS
28	0J1208B	1	ASSY HANDLE XG	84	0G5445	2	SCREW HHTT M8-1.25 X 20
29	0H5307	8	SPACER, SELF LOCATING	85	070006	1	WASHER LOCK M8 SS
30	0F2659	1	SCREW HHTT M3-0.5 X 6 BP	86	049821	1	SCREW SHC M8-1.25 X 30 C12.9
31	0H9527	1	ASSY BUTTON HANDLE XG	87	022511	3	SCREW HHC 3/8-16 X 1-1/4 G5
32	0H2205	2	BEARING,HANDLE,XG	88	046526	3	WASHER LOCK M10
33	0H9525	2	BEARING EXTERNAL HANDLE XG	89	0H4768A	2	JUMPER WIRE ASSEMBLY, 5.00"
34	0H9529B	1	BRACKET, MOUNTING HANDLE	90	0H0919	1	ASSEMBLY,BRUSH VISION
35	0H6887	2	BOLT CARR 5/16-18X2 BLCK ZINC	91	030209	1	SCREW HHC 5/16-24 X 1-1/4 G5
36	0G8382	4	SCREW PPPH #8-16 X .66" BZC	92	0G9832	1	BRACKET, MOUNTING, ALT 7KW
37	0H2142	1	VALVE HOLDER,FUEL SHUTOFF	93	0H0025	1	ASSY 12VDC POWER JACK W/LUGS
38	0G9549	1	SWITCH SPDT (ON)-OFF-ON 20A	94	0H4218	1	HARNESS ENGINE GH410 XG ES
39	0G9560A	1	CABLE CHOKE PORT NOM 382	95	0H5762	1	FUEL LINE FORMED VLV TO ENG XG
40	0H3455E	1	FUEL HOSE, 160 MM LONG	96	023484E	1	BUSHING SNAP SB-687-8
41	0H3419	1	VALVE,FUEL SHUTOFF	97	0H3631	1	GROMMET, ROLLOVER VALVE
42	0742600188	1	WIRE ASSEMBLY	98	0H3630	1	ROLLOVER VALVE
43	0742600192	1	WIRE ASSEMBLY	99	0H5994	1	CARBON CANISTER,407CC ENGINE
44	0H1326	1	FILTER, FUEL	100	0H5993	1	BRACKET,CARB CAN 407CC ENGINE
45	0H0958A	1	ASSY GAS CAP SEALED	101	0E8388	2	NUT HEX FL WHIZ M6-1.0
46	0H1357	2	SCREW PFHM M5-0.8 X 12	102	0H1207B	1	HOSE 11MM ODX 5.5MM ID X 22IN
47	0H1359	1	PLATE, FUEL GAGE	103	0H3731	1	EVAP HOSE, FORMED
48	0H1345	1	FUEL GAGE, 153 MM LONG ARM	104	0H1411	5	RUBBER MOUNT, 10.8 ID X 9 TALL
49	0K2462	1	ASSY ENGINE 410 CATALYST	105	0H1610	4	INSERT, ANTI-CRUSH FOR TANKS
50	048031G	4	CLAMP HOSE BAND .41	106	0J1708	1	MANIFOLD 407CC
51	0H2043	4	VIB MOUNT 35 X 12 X M8-1.25	107	0H8159A	2	SCREW SHC SEMS FLAT M8-1.25X25
52	0E4190	1	CLAMP, 3/16" COATED CABLE	108	0C4138	1	GASKET,EXHAUST PORT
53	0F5579	1	SCREW HHC SHLDR M5-0.8X20 G8.8	109	0G8486	2	CAP NUT 5/16-18 ZBC
54	0H6059	8	SCREW FHSC M8-1.25 X 60 BZC	110	0H2565A	1	WELDMNT,FUEL TANK XG 9GAL CARB
55	0G3730	2	SCREW SHC M8-1.25 X 20 SEMS	111	0742600193	1	WIRE ASSEMBLY
56	0J3423	1	MUFFLER GTH410 CARB				



<b>ITEM</b>	<b>PART</b>	<b>QTY.</b>	<b>DESCRIPTION</b>
1	SEE TABLE	1	ASSY RECEPTACLE PANEL
2	0D4966	2	OUTLET 20A 120V GFCI GF20BK
3	0D4804B	1	XFMR IDLE CURRENT
4	SEE TABLE	1	POWERBAR ASSY
5	0H5283B	1	CB 2P 30A 250W CSA M SERIES
6	077043B	1	CONDUIT FLEX .50"ID
7	0A5489	1	SNAP BUSHING.75 OPEN
8	0H6784	2	LED CONTROL PANEL SNAP-FIT XG
9	0G8321	1	HOUR METER W/ALERTS AC/DC
10	0G9391	1	COVER,30A 120/240V
11	0G9392	2	COVER, 20A 120V GFCI/DUPLEX
12	0G9756	1	RECPTACLE PANEL STORM-GEN
13	022264	6	WASHER LOCK #8-M4
14	026579	1	WASHER LOCKF EXT #8 STEEL
15	043180	6	WASHER FLAT M4
16	051715	9	NUT HEX M4-0.7 G8 YEL CHR
17	0G8382	4	SCREW PPPH #8-16 X .66" BZC
18	0G9060	2	SCREW PPHM M4-0.7 X 10 BZC
19	0H0265C	2	CB 20A 1P 120V CUL/CSA JOEMEX
20	0H2929	1	OUTLET 30A 120/250V SPCGR
21	0H3968	3	SCREW PPHM M4-0.7 X 20 BLK ZC
22	SEE TABLE	1	WIRE HARNESS (NOT SHOWN)

<b>TABLE 1</b>				
<b>ITEM</b>	<b>QTY.</b>	<b>DESCRIPTION</b>	<b>7000W</b>	<b>8000W</b>
1	1	ASSY RECEPTACLE PANEL	0H5280B	0H5280C
4	1	POWERBAR ASSY	0H3362C	0H3362D
22	1	WIRE HARNESS (NOT SHOWN)	0H5275	0H5276

FLYWHEEL OPTION  
ENGINE PRODUCTION LEVEL 10E



1	082774	1	KEY, WOODRUFF 4 x 19D
2	091222C	1	ASSY, FLYWHEEL W/RING GEAR 27 DEGREE
3	067198N	1	WASHER, BELV-20 X 2.2
4	067890	1	NUT, HEX – FLYWHEEL