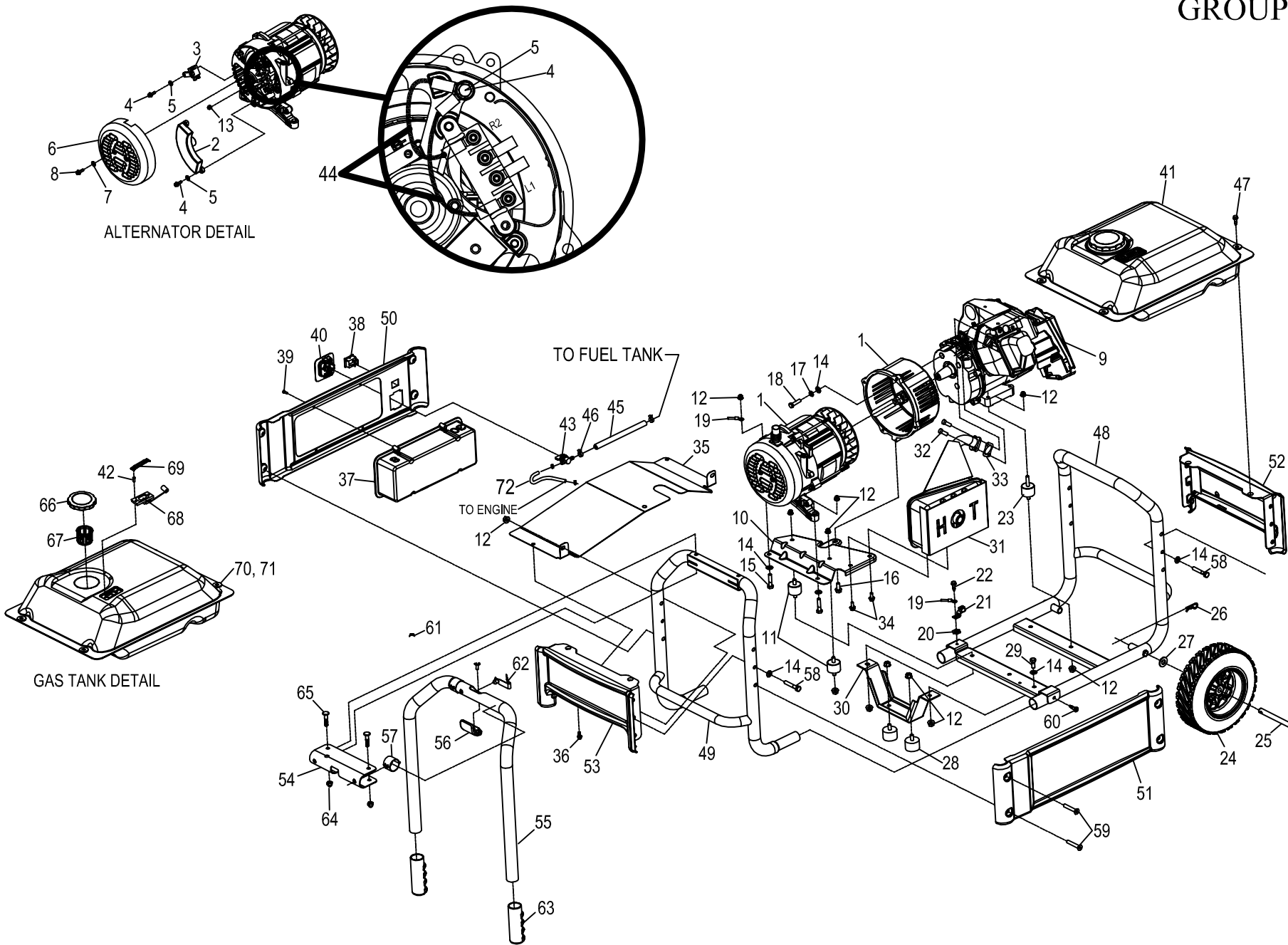


GROUP



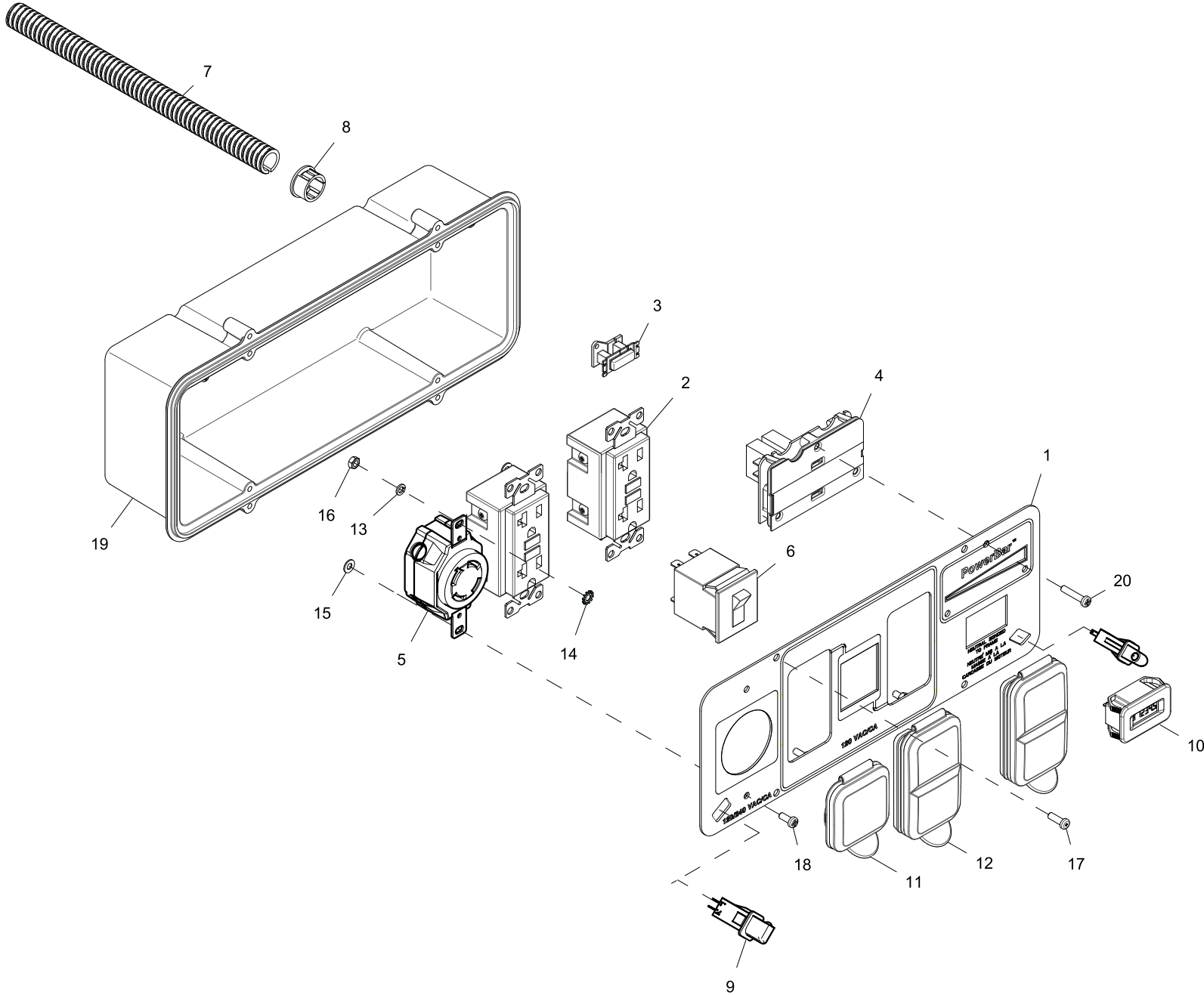
EXPLODED VIEW:
GENERATOR PARTS
DRAWING #: 0H5292

EXPLODED VIEW: GENERATOR PARTS
DRAWING #: 0H5292

GROUP

APPLICABLE TO: 005843-0

ITEM	PART #	QTY.	DESCRIPTION	ITEM	PART #	QTY.	DESCRIPTION
1	0H4860	1	XG4000 ALTERNATOR W/JUMPER WIRES				
2	0H2579	1	AVR, XG4000 ALTERNATOR				
3	0H0919	1	BRUSH HOLDER				
4	049815	4	SCREW HHC M5-0.8 X 16				
5	051713	4	FLAT WASHER, M5				
6	0H3049	1	END COVER				
7	049226	2	LOCK WASHER, M5				
8	052618	2	SCREW HHC M5-0.8 X 12				
9	0H3439	1	XG4000 220 ENGINE				
10	0H2698	1	BRACKET, MOUNTING, MUFFLER, 220XG				
11	0H2770	2	VIBE MOUNT				
12	067989	16	NUT HEX FL WHIZ M8-1.25				
13	0H3535	4	NUT FLG NYLN LOCK M5-0.8				
14	022145	12	WASHER FLAT 5/16-M8				
15	039414	2	SCREW HHC M8-1.25 X 35				
16	0D4662	1	SCREW HHT R 5/16-18 X 3/4				
17	022129	4	WASHER LOCK M8-5/16				
18	030209	4	SCREW HHC 5/16-24 X 1-1/4				
19	074260186	1	WIRE ASSY GND ALT TO BASE				
20	0A1658	1	WASHER LOCK SPECIAL 1/4				
21	055414	1	LUG SLDLSS #2-#8 X 17/64 CU				
22	0G2018	1	SCREW HHSD 1/4-20 X 7/8				
23	0H2771	2	VIBE MOUNT				
24	0H4420	2	XG RALLYE WHEEL				
25	0H1129	2	AXLE, PIN				
26	0H3443	2	COTTER HAIRPIN				
27	087171	2	WASHER FLAT 1/2 SS				
28	0H3590	2	VIB MNT 38.1 X 30 X M8-1.25				
29	039253	2	SCREW HHC M8-1.25 X 20				
30	0H0720	1	FRAME, BENT, FOOT				
31	0H2757	1	MUFFLER, GH220, SIDE OUT, XG				
32	0G3730	2	SCREW SHC M8-1.25 X 20				
33	089476	1	GASKET, EXHAUST 1.6				
34	0G0926	2	SCREW HHFCS M6-1 X 16				
35	0H6370	1	HEAT, SHIELD				
36	090388	2	SCREW HHT M6-1.0 X 12				
37	0H5285A	1	XG 20A RECEPTACLE PANEL				
38	0H3451	1	SWITCH ENGINE RUN-STOP				
39	0G8382	4	SCREW PPPH #8-16 X 0.66				
40	0H2142	1	FUEL, VALVE HOLDER				
41	0H2017	1	TANK, FUEL, 4.5 GAL				
42	0H1357	2	SCREW, PFHM M5-0.8 X 12				
43	0H3419	1	FUEL, VALVE				
44	0H4768A	2	WIRE ASSY JUMPER				
45	0H3455E	1	FUEL HOSE 160 MM				
46	048031G	4	HOSE CLAMP				
47	0G5445	4	SCREW HHT M8-1.25 X 20				
48	0H2176	1	FRAME, BASE, ASSY				
49	0H2203	1	FRAME, END, ASSY, BACK				
50	0H2161A	1	PANEL, SIDE, RIGHT				
51	0H2161B	1	PANEL, SIDE, LEFT				
52	0H2187A	1	PANEL, END, ASSY, FRONT				
53	0H2187B	1	PANEL, END, ASSY, BACK				
54	0H2206A	1	BRACKET, MOUNTING, HANDLE				
55	0H2209	1	TUBE, HANDLE				
56	0H3854	1	HANDLE STOP XG				
57	0H2205	2	BEARING, HANDLE, XG				
58	051731	4	SCREW HHC M8-1.25 X 50				
59	0H3456	8	SCREW FHSC M8-1.25 X 50				
60	0H5030	2	SCREW HHSD 1/2 X 7/8 BZ				
61	0G0926	1	SCREW HHFCS M6-1 X 16				
62	0G5442	1	SNAP BUTTON				
63	0G8465	2	GRIP NUBBED 1-1/4 X 4-3/8				
64	0G8486	2	CAP NUT 5/16-18				
65	0H0031	2	CHB CUSTOM 5/16-18 X 46				
66	0H1325A	1	FUEL CAP, CHROME				
67	0H1326	1	FUEL FILTER				
68	0H1345	1	FUEL GAGE, 153 MM LONG ARM				
69	0H1359	1	PLATE, FUEL GAGE				
70	0H1411	4	RUBBER MOUNT				
71	0H1610	4	INSERT, ANTI-CRUSH				
72	0H5762	1	FUEL LINE, FORMED				



ITEM	PART	QTY.	DESCRIPTION
1	0H5280A	1	ASSY COVER RECP PANEL XG4 CSA
2	0H3346	2	OUTLET 20A 120V GFCI GF20BK
3	0D4804B	1	XFMR IDLE CURRENT
4	0H6566	1	POWERBAR ASSY
5	0H3342	1	OUTLET 20A 120/250V SPCGR
6	0H5283A	1	CB 20A 250W CSA M SERIES
7	077043B	1	CONDUIT FLEX .50"ID
8	0A5489	1	SNAP BUSHING.75 OPEN
9	0H6784	2	LED CONTROL PANEL SNAP-FIT XG
10	0G8321	1	HOUR METER W/ALERTS AC/DC
11	0G9391	1	COVER,30A 120/240V
12	0G9392	2	COVER, 20A 120V GFCI/DUPLEX
13	022264	6	WASHER LOCK #8-M4
14	026579	1	WASHER LOCKF EXT #8 STEEL
15	043180	6	WASHER FLAT M4
16	051715	9	NUT HEX M4-0.7 G8 YEL CHR
17	0G8382	4	SCREW PPPH #8-16 X .66" BZC
18	0G9060	2	SCREW PPHM M4-0.7 X 10 BZC
19	0G9756	1	RECPTACLE PANEL STORM-GEN
20	0H3968	3	SCREW PPHM M4-0.7 X 20 BLK ZC
21	0H5274	1	WIRE HARNESS XG 4 (NOT SHOWN)