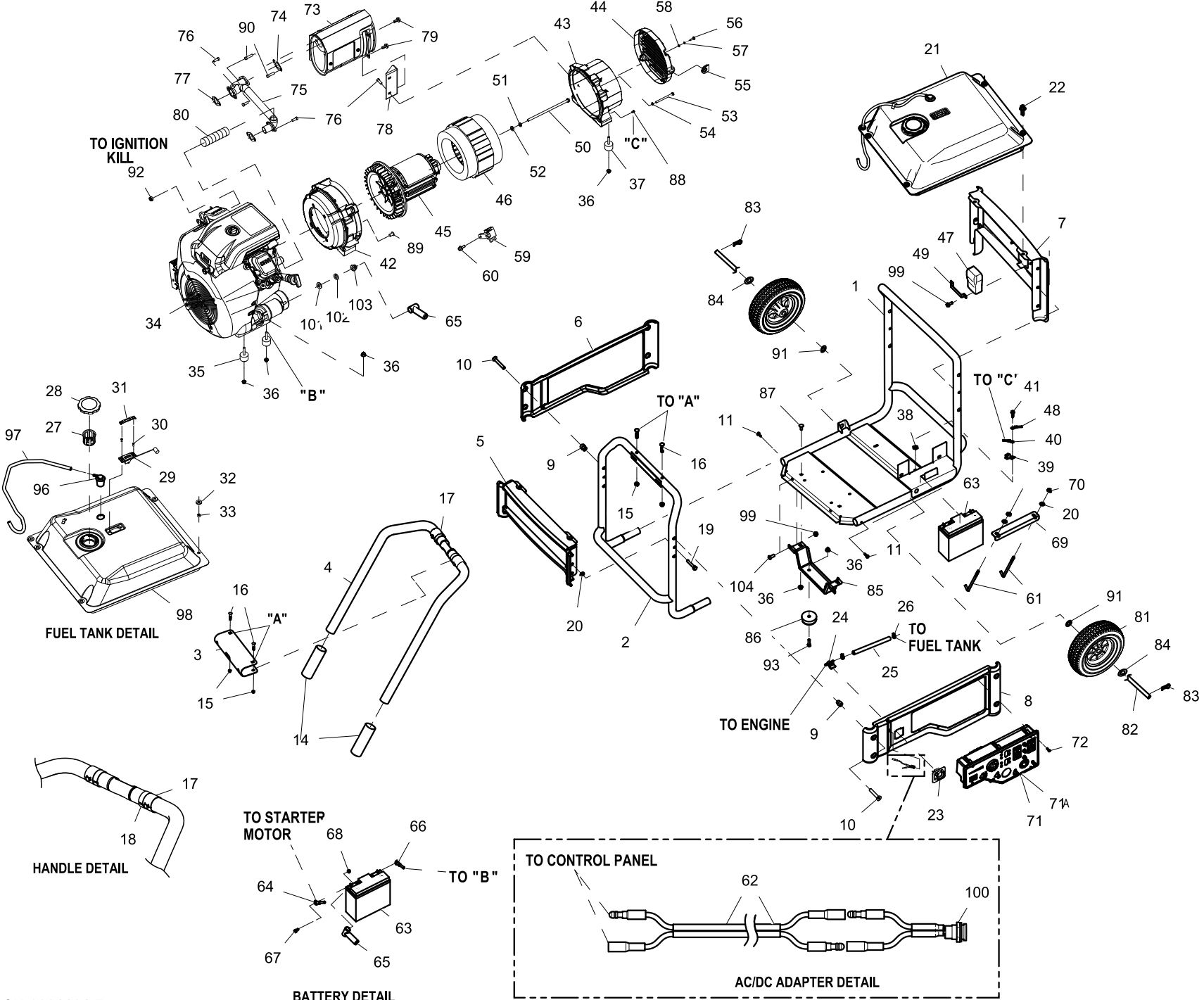
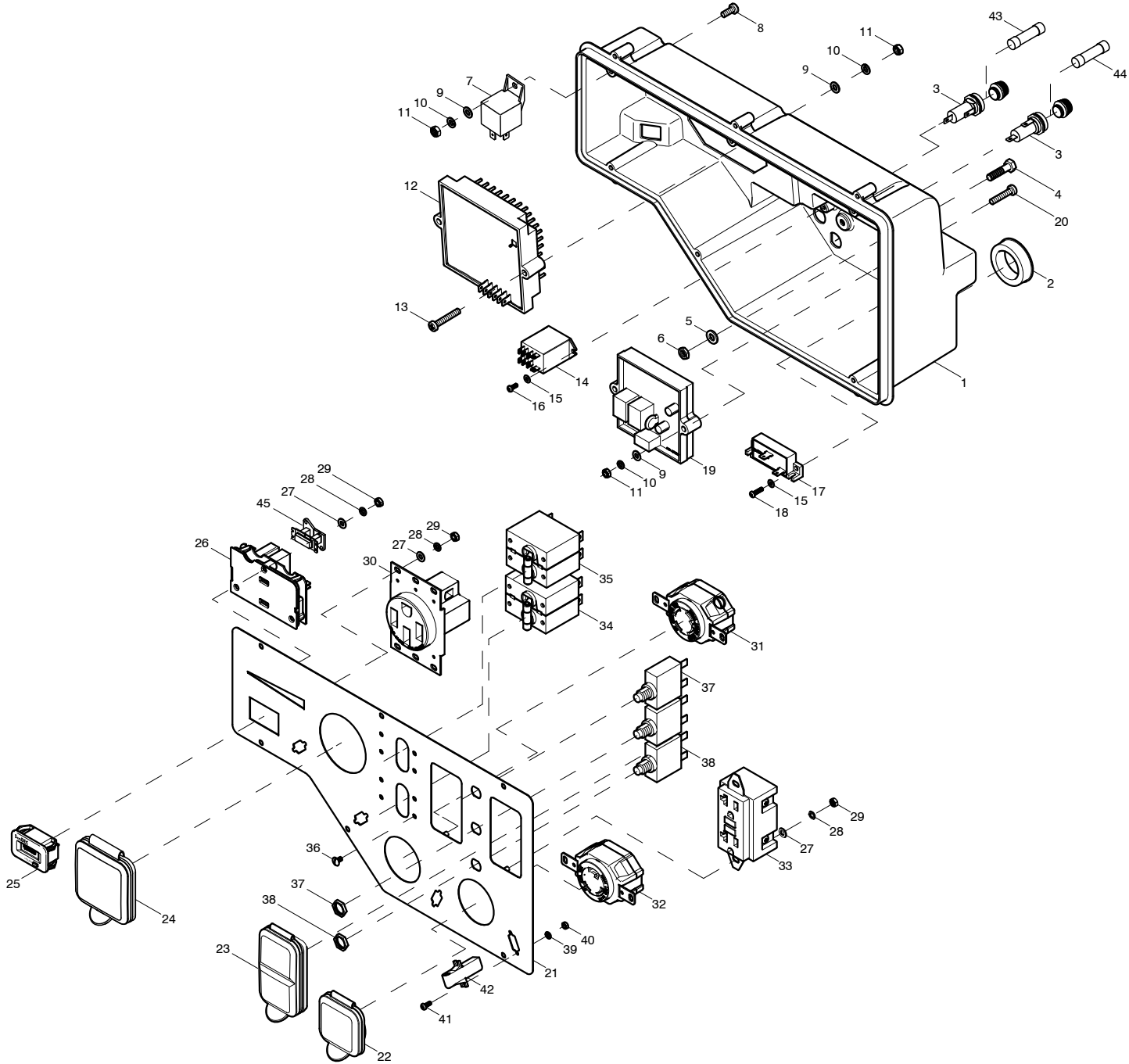


**GROUP**



ITEM	PART	QTY.	DESCRIPTION	ITEM	PART	QTY.	DESCRIPTION
1	0J4897	1	CRADLE WLDMNT ALT END 530 XG	53	087712	4	SCREW HHC M8-1.25 X 110 C8.8
2	0H3673	1	CRADLE WELDMENT,ENGINE END	54	022129	4	WASHER LOCK M8-5/16
3	0H9529B	1	BRACKET MOUNTING HANDLE	55	0G5206	1	GROMMET WIRE SLEEVE
4	0J1208	1	ASSY HANDLE XG	56	020911	4	SCREW PPHM M5-0.8 X 30 ZINC
5	10000024393	1	END PNL WLDMNT ENG SIDE 530 XG	57	022152	4	WASHER LOCK #10
6	10000024373	1	PANEL MUFFLER SIDE 530CC XG	58	023897	4	WASHER FLAT #10 ZINC
7	10000024410	1	END PNL WLDMNT ALT SIDE	59	066386	1	ASSEMBLY, BRUSH HOLDER
8	10000024389	1	PANEL CVV PNL SIDE 530CC XG	60	066849	2	SCREW HHTT M5-0.8 X 16
9	0H5307	8	HEAT SHIELD, XG6.5-8	61	0D3545A	2	J-BOLT M8-1.25 X 200
10	0H6059	8	SCREW FHSC M8-1.25 X 60 BZC	62	0H5857	1	HARNNESS,12VDC POWER JACK,XG1
11	0L2176	2	SCREW HHSD PREMIUM 1/4-14X1 BZ	63	0H1663	1	BATTERY 12V18AH SEALED
12	-----	--	-----	64	0H6167C	1	WIRE ASSY,BATT POS/STARTER,XG
13	-----	--	-----	65	075763A	2	BOOT, BATTERY CABLE
14	0G8465	2	GRIP NUBBED 1-1/4"X4-3/8"	66	0H6167B	1	WIRE ASSY,BATT NEG/ENG BLK,XG
15	0G8486	2	CAP NUT 5/16-18 ZBC	67	052618	2	SCREW HHC M5-0.8 X 12 C8.8
16	0H6887	2	BOLT CARR 5/16-18X2 BLCK ZINC	68	0H3535	2	NUT FLANGE M5-0.8 NYLOCK
17	0H2205	2	BEARING,HANDLE,XG	69	0H5246	1	BRACKET, BATTERY HOLD DOWN
18	0H9525	2	BEARING EXTERNAL HANDLE XG	70	049820	2	NUT HEX LOCK M8-1.25 NY INS
19	051731	4	SCREW HHC M8-1.25 X 50 C8.8	71	0H4670	1	ASSY,CONTROL PNL,COMPLETE,XG10
20	022145	8	WASHER FLAT 5/16-M8 ZINC	71A	0D4804B	1	XFMR IDLE CURRENT
21	0H3803A	1	ASSY FUEL TANK 10 GAL XG EPA	72	0G8382	6	SCREW PPPH #8-16 X .66" BZC
22	0G5445	4	SCREW HHTT M8-1.25 X 20	73	0H6623	1	ASSY MUFFLER GTH530
23	0H2142	1	VALVE HOLDER,FUEL SHUTOFF	74	0C4138	1	GASKET,EXHAUST PORT
24	0H3419	1	VALVE,FUEL SHUTOFF	75	0H4563	1	ASSY EXHAUST MANIFOLD GTH530P
25	0H3455F	1	FUEL HOSE, 200 MM LONG	76	0G3730	6	SCREW SHC M8-1.25 X 20 SEMS
26	048031G	2	CLAMP HOSE BAND .41	77	0E9369	2	GASKET EXHAUST GT530
27	0H1326	1	FILTER, FUEL	78	0H5228	1	MUFFLER MOUNTING BRACKET
28	0H0958	1	ASSY GAS CAP SEALED - CHROME	79	059637	2	SCREW HHTT 3/8-16 X 3/4 CZ
29	0H1345E	1	FUEL GAGE, 140 MM LONG ARM	80	0H6144	1	TUBE, HEAT RISER 38MM ID
30	0H1357	2	SCREW PPHM M5-0.8 X 12	81	0H6257	2	10KW XG WHEEL 10"
31	0H1359	1	PLATE, FUEL GAGE	82	0H3798	1	AXLE, 530CC XG
32	0H1411B	4	RUBBER MOUNT,10.3 ID X 11 HGT	83	0H3443	2	COTTER HAIRPIN 2.56 X .80
33	0H1610A	4	INSERT, ANTI-CRUSH FOR TANKS	84	0H0653	2	WASHER FLAT 5/8 ID X 0.039"THK
34	0J2537	1	ASSY ENGINE GTH-530 PORTABLE	85	0H3843	1	FOOT SUPPORT, 530CC XG
35	0H1113	4	VIB MNT 1.38X1.0X5/16-18 MXM	86	0H7282	2	RUBBER VIBRATION DAMPENER
36	0H6559	14	NUT HEX FLANGE WHIZ 5/16-18	87	0H5837	2	BOLT CARR 5/16-18 X 0.75"
37	0H5421	2	VIB MNT .63 X .63 5/16-18	88	090388	7	SCREW HHTT M6-1.0 X 12 ZINC
38	0A1658	1	WASHER LOCK SPECIAL 1/4"	89	030205	4	SCREW FHSC 3/8-16 X 3/4 W/LOCK
39	055414	1	LUG SLDLSS #2-#8 X 17/64 CU	90	0H8159A	2	SCREW SHC SEMS FLAT M8-1.25X25
40	0742600174	1	GRND WIRE PORT BRG CARR-FRAME	91	0H7252	2	SPACER 5/8" AXLE X 4.7MM
41	0D6029	1	SCREW HHTT M6-1.0 X 16 ZYC	92	082025	1	NUT HEX LOCK M5-0.8 NYINS ZINC
42	0H4959B	1	ADAPTOR HOUSING, W/O TOP SLOTS	93	030795	2	SCREW HHC 5/16-18 X 1 G5
43	0H4960	1	BEARING CARRIER, 10IN ALT	94	0H6167D	1	BRUSH WIRE ASSEMBLY,GND-ALT (NOT SHOWN)
44	0H4965	1	END COVER, 10IN ALTERNATOR	95	0H6167E	1	BRUSH WIRE ASSEMBLASSY V-REG TO ALT (NOT SHOWN)
45	0H5064C	1	RTR-102-10.0AD1 CHI XG CANLESS	96	0H1142	1	ASSY, ROLL OVER SLANT VALVE
46	0H5065C	1	STR ASSY 10KW 10" PORT	97	0H1207F	1	HOSE 11MM OD X 5.5MM ID X 26IN
47	0K8803B	1	BATTERY CHARGER 12VDC 2.0A	98	0H3804A	1	WELDMENT FUEL TANK XG RAW EPA
48	0H6167A	1	WIRE ASSY,PNL GND/FR GND,XG10	99	0E8388	4	NUT HEX FL WHIZ M6-1.0
49	10000039503	1	BRKT HOLD DOWN BATT CHRGR	100	0H0025	2	ASSY 12VDC POWER JACK W/LUGS
50	0H5752	1	SCREW IHHC 3/8-24 X 10.75 G8	101	058653	1	WASHER FLAT M8
51	022237	1	WASHER LOCK 3/8	102	070006	1	WASHER LOCK M8 SS
52	022131	1	WASHER FLAT 3/8	103	066311	1	NUT HEX JAM M8 X 1.25 G8 ZY
				104	0H7606	2	SCREW BHSC M6-1.0 X 16 ZP



ITEM	PART	QTY.	DESCRIPTION
1	0H4697	1	ENCLOSURE, RECEPTACLE PNL, XG10
2	023484H	1	BUSHING SNAP SB-1500-18
3	0H6856	2	FUSE HOLDER, 10A/250VAC, R3-13
4	045757	2	SCREW HHC M6-1.0 X 25 G8.8
5	049811	2	WASHER FLAT M6
6	066310	2	NUT HEX JAM M6 X 1
7	052844	1	RELAY PNL 12VDC SPDT 30A
8	091526	1	SCREW PPHM M5-0.8 X 12 ZNC
9	051713	5	WASHER FLAT M5
10	049226	5	WASHER LOCK M5
11	051716	5	NUT HEX M5-0.8 G8 CLEAR ZINC
12	0F9719	1	ASSY PCB VREG AIR COOLED 2006
13	020911	2	SCREW PPHM M5-0.8 X 30 ZINC
14	0E3927	1	RELAY, DPDT NO 10A 120VAC COIL
15	052777	4	WASHER FLAT M3
16	084543D	2	SCREW PPPH M3 X 8
17	048512	1	CB 5A 1P AUTO ETA 46-500-P
18	084543A	2	SCREW PPPH M3 X 12
19	0H1835	1	ASSY PCB, PORTABLE CONTROLLER
20	0C8522	2	SCREW PPHM M5-0.8 X 25
21	0H5232	1	CTRL PNL XG10 PAINT W/SILK
22	0G9391	2	COVER, 30A 120/240V
23	0G9392	2	COVER, 20A 120V GFCI/DUPLEX
24	0H3814	1	COVER 50A 120/240V
25	0G8321	1	HOUR METER W/ALERTS AC/DC
26	0H3362D	1	TRULOAD POWERBAR ASSY 8.0KW
27	043180	15	WASHER FLAT M4
28	022264	15	WASHER LOCK #8-M4
29	051715	15	NUT HEX M4-0.7 G8 YEL CHR
30	0D4969	1	OUTLET 50A 125/250V 4W 1258
31	0G8758	1	OUTLET 30A 120/250V SPCGR
32	068868	1	OUTLET 30A 120V RECEPT
33	0D4966	2	OUTLET 20A 120V GFCI GF20BK
34	0G9023C	1	CB 0030A 2P 240V C AA2 QT
35	0G9023L	1	CB 0042A 2P 240V C AA2 QT
36	025105	8	SCREW RHMS 6-32 X 1/4 ZINC
37	0H0265C	2	CB 20A 1P 120V CUL/CSA JOEMEX
38	0H0265E	1	CB 30A 1P 120V CUL/CSA JOEMEX
39	022155	8	WASHER LOCK #6
40	051714	8	NUT HEX M3-0.5 G8 CLEAR ZINC
41	0H3969	8	SCREW, PPHM M3-0.5 X 8 BLK ZNC
42	0H6589	2	DUAL LED ASSEMBLY
43	099727	1	FUSE 5A X AGC5 HLDR32300
44	067682D	1	FUSE, SLOBLO 1.5A GLASS
45	0D4804B	1	XFMR IDLE CURRENT
46	0H5263 *	1	HARNESS POWER V-T XG
47	0H5852 *	1	HARNESS, C/PNL XG10

\* ITEM 46 AND 47 NOT SHOWN