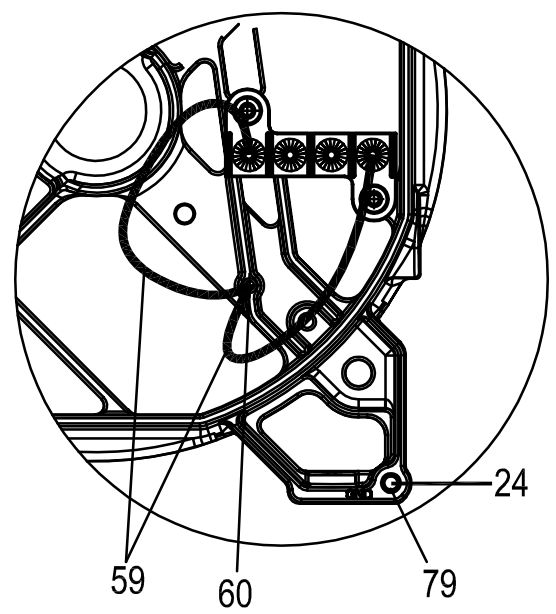
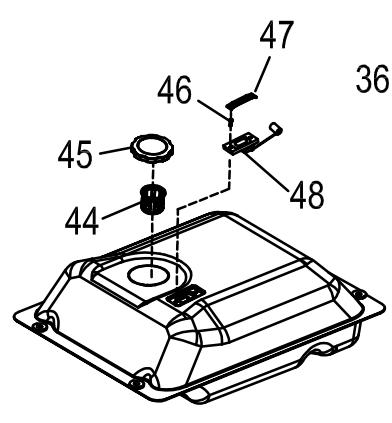


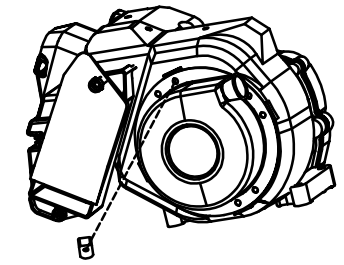
PART NO. 0H4001



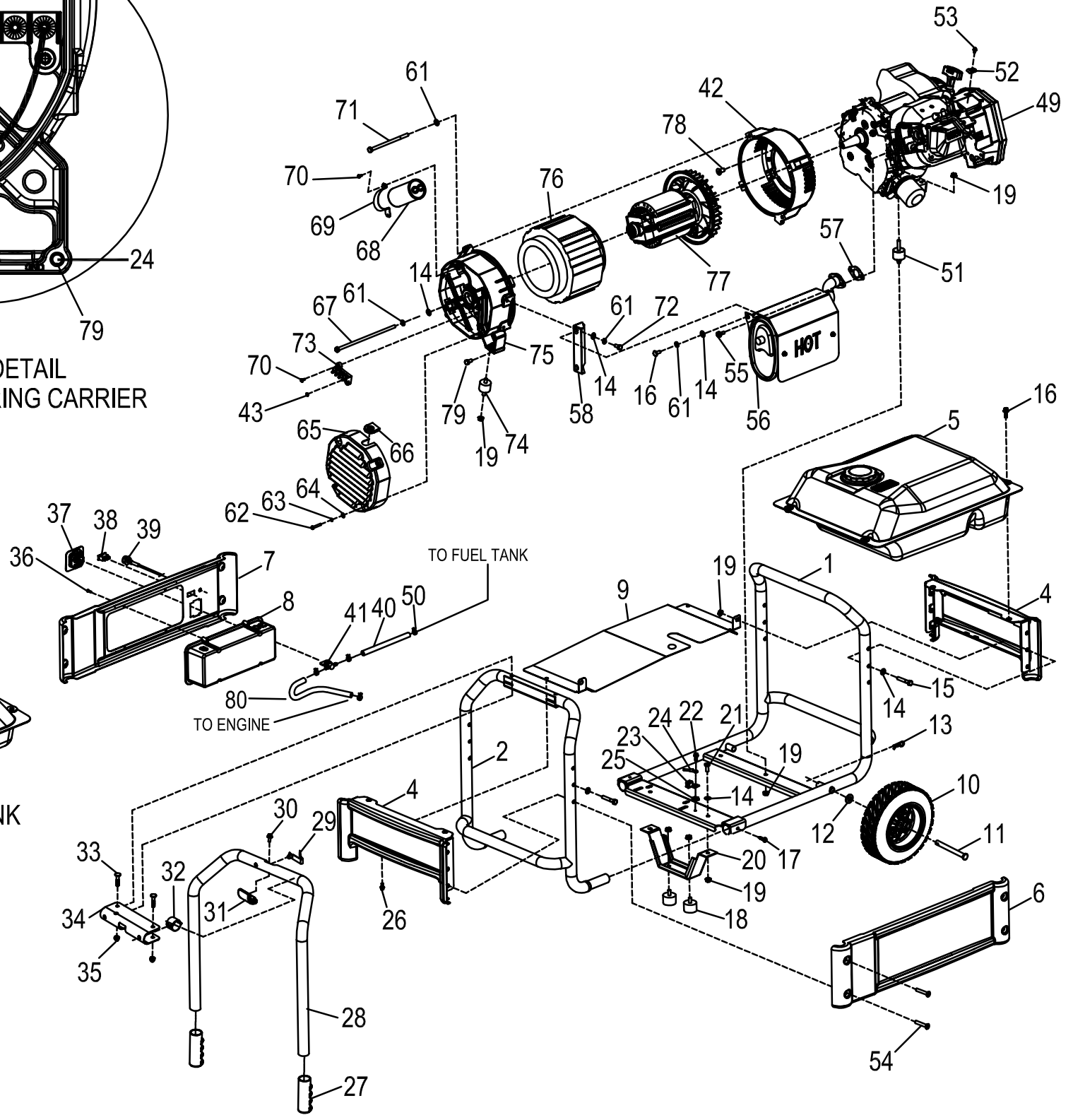
JUMPER WIRE DETAIL ON THE ITEM 75 BEARING CARRIER



DETAIL OF GAS TANK



ROUTE HOSE THROUGH CLIP
DETAIL OF FRONT OF ENGINE



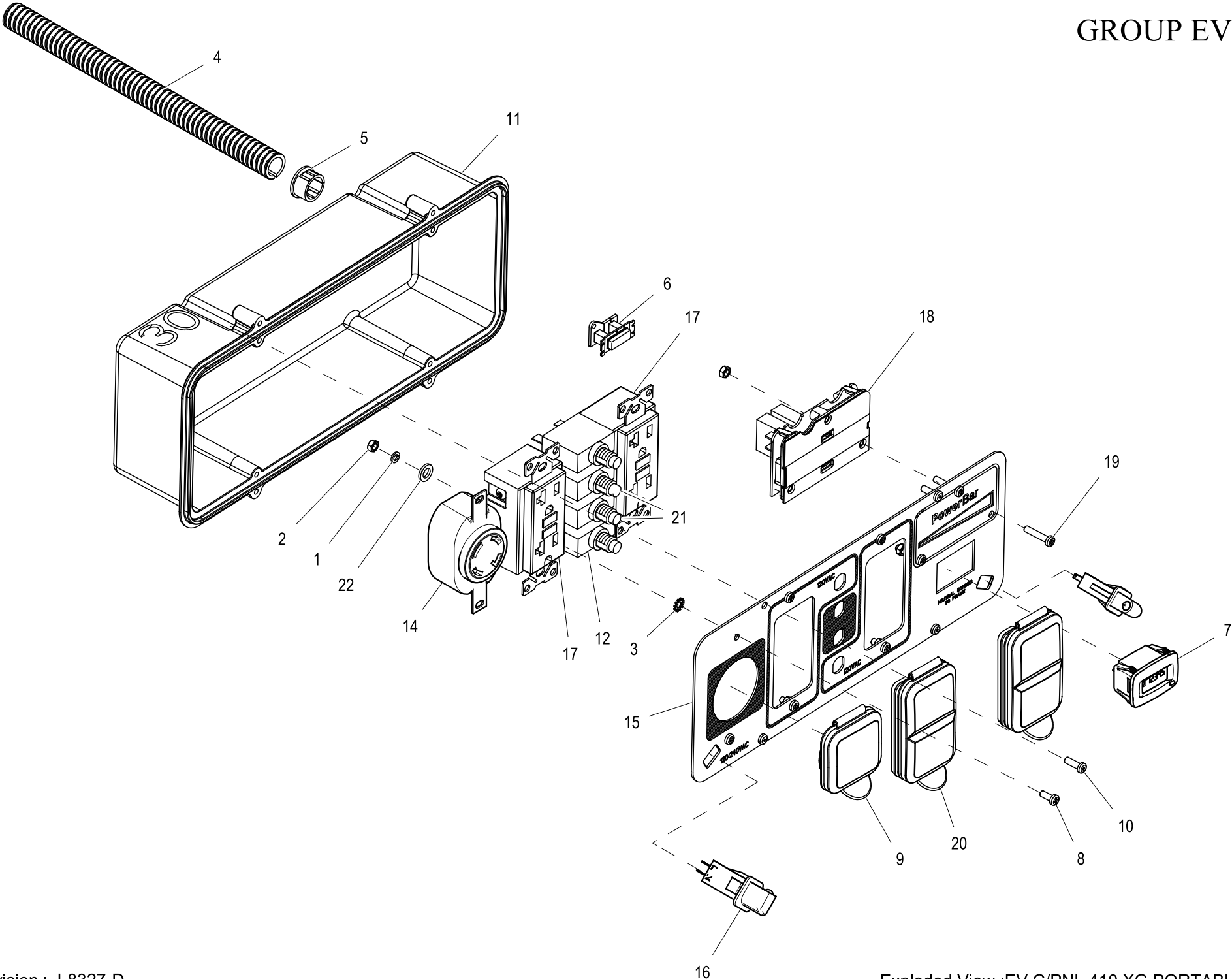
E.C.O.	REV.	DATE
-	A	6/22/09
H-4930	B	8/18/09
H-5141	C	9/29/09
H-5344	D	11/04/09
H-5630	E	12/16/09

DO NOT SCALE

ITEM	PART #	QTY.	DESCRIPTION	ITEM	PART #	QTY.	DESCRIPTION
1	0H2385	1	FRAME BASE	63	022152	4	WASHER LOCK #10
2	0H2391	1	FRAME BACK	64	023897	4	WASHER FLAT #10
4	0H2392A	2	PANEL, END	65	0G5002A	1	COVER, ALTERNATOR
5	0H2564	1	TANK, FUEL	66	0G5206	1	GROMMET, WIRE SLEEVE
6	0H2394B	1	PANEL, SIDE	67	075431	1	SCREW IHHC 5/16-24 X 8-1/2
7	0H2394C	1	PANEL, CPNL. SIDE	68	0G5858	1	CAPACITOR
8	0H2802E	1	30A XG RECEPTACLE PANEL	69	0G5088	1	CAPACITOR CLAMP
9	0H6371	1	HEAT SHIELD	70	0F4795	5	SCREW PPHM M40.7 X 10
10	0H4420	2	XG RALLYE WHEEL	71	0G5148	4	SCREW BHSC M8-1.25 X 20
11	0H1129	2	AXLE PIN	72	0C3181	2	SCREW BHSC M8-1.25 X 20 SS
12	087171	2	WASHER FLAT 1/2 SS	73	018935	1	TERMINAL BLOCK
13	0H3443	2	COTTER HARPIN	74	085652	2	VIBRATION MOUNT
14	022145	11	WASHER FLAT 5/16M8	75	01H551	1	CARRIER, REAR BEARING
15	057731	4	SCREW HHC M8-1.25 X 5.0	76	012734C	1	STATOR (8KW)
16	0G5445	2	SCREW HHTT M8-1.2 X 20	77	0G5211C	1	ROTOR (8KW)
17	0H5830	2	SCREW HBSD 1/2 X 7/8 EZ	78	030205	4	SCREW FHSC 3/8-16 X 3/4
18	0H3590	2	WIRE MOUNT	79	080388	1	SCREW HHTT M8-1.0 X 16
19	067889	12	NUT HEX FL WHIZ M8-1.25	80	016762	1	FUEL LINE FORMED VALVE TO ENGINE
20	0H0720	1	BOOT				
21	039283	2	SCREW HHC M8-1.25 X 20				
22	0G2018	1	SCREW HBSD 1/4-20 X 7/8				
23	055414	1	LUG SLDLSS #2-#6 X 17.64 CU				
24	074200186	1	WIRE ASSY GND ALT TO BASE				
25	0A1658	1	WASHER LOCK SPECIAL 1/4				
26	090888	2	SCREW HHTT M8-1.0 X 12				
27	0G8465	2	HANDLE GRPS				
28	0H2616	1	TUBE, HANDLE				
29	0G5442	1	SNAP BUTTON				
30	0G0926	1	SCREW HHFCS M6-1 X 16				
31	0H3854	1	HANDLE STOP				
32	0H2205	2	BEARING, HANDLE				
33	0H0031	2	CHB CUSTOM 5/16 18 X 46				
34	0H2206B	1	BRACKET, HANDLE				
35	0G8488	2	CAP NUT 5/16-18				
36	0G8382	4	SCREW PPPH #8-16 X 0.66				
37	0H2142	1	FUEL, VALVE HOLDER				
38	0H3451	1	SWITCH, RUN-STOP				
39	0G9580A	1	CABLE, CHOKE				
40	0H3455E	1	FUEL, HOSE, 160MM LONG				
41	0H3419	1	FUEL, VALVE				
42	0G2397	1	HOUSING, ENGINE ADAPTOR				
43	0H3535	4	NUT LOCK M5-8				
44	0H1326	1	FUEL, FILTER				
45	0H1325A	1	FUEL, CAP, CHROME				
46	0H1357	2	SCREW PPHM M6-0.8 X 12				
47	0H1359	1	PLATE, FUEL GAGE				
48	0H1345	1	FUEL, GAGE, 133MM LONG ARM				
49	0H3897	1	XG8000 410 ENGINE				
50	048031G	4	HOSE CLAMP				
51	0H2043	2	VIB MOUNT				
52	0E4190	1	CLAMP, CABLE				
53	0F5579	1	SCREW SHOULDER M5-0.8 X 20				
54	0H3587	8	SCREW FHSC M8-1.25 X 35				
55	0G3730	2	SCREW SHC M8-1.25 X 20 SEMS				
56	0H3034	1	MUFFLER, ASSY, 410				
57	090239	1	GASKET, EXHAUST				
58	0H2856	1	BRACKET, MUFFLER				
59	0H4788B	2	WIRE ASSY JUMPER				
60	0G3111	1	SCREW HHTT M8-1.0 X 25				
61	022129	9	WASHER LOCK M8				
62	020911	4	SCREW PPHM M50.8 X 30				

GROUP

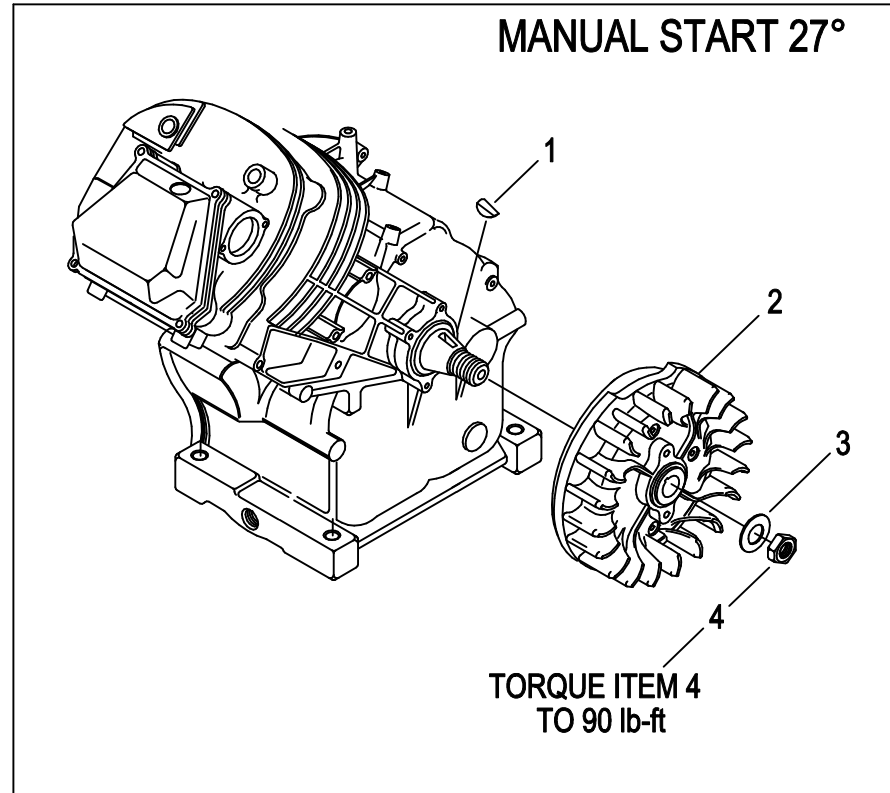
EXPLODED VIEW:			GENERATOR PARTS		GENERAC POWER SYSTEMS	
DRAWN BY:	GGP	DATE:	7/27/09	P.O. BOX 8 WAUKESHA, WIS. 53186		
CHECKED BY:	CR	DATE:	7/30/09	FIRST USE:	005800-0	
APPROVED BY:	D. VALERIO	DATE:	8/3/09	PART NO.:	0H4001	
RELEASED FOR PRODUCTION BY:	B. BRANDENBURG	DATE:	8/3/09	REV.:	E	



EXPLODED VIEW: EV C/PNL 410 XG PORTABLE 6.5KW**DRAWING #: 0H4099****GROUP EV**

ITEM	PART#	QTY.	DESCRIPTION
1	022264	6	WASHER LOCK #8-M4
2	051715	9	NUT HEX M4-0.7 G8 YEL CHR
3	026579	1	WASHER LOCKF EXT #8 STEEL
4	077043B	1	CONDUIT FLEX .50"ID
5	0A5489	1	SNAP BUSHING.75 OPEN
6	0D4804B	1	XFMR IDLE CURRENT
7	0H8214	1	HOUR METER W/ALERTS AC/DC
8	0G9060	2	SCREW PPHM M4-0.7 X 10 BZC
9	0G9391	1	COVER,30A 120/240V
10	0G8382	4	SCREW PPPH #8-16 X .66" BZC
11	0G9756	1	RECTANGLE PANEL STORM-GEN
12	0H0265C	2	CB 20A 1P 120V CUL/CSA JOEMEX
13	SEE TABLE 1	-	WIRE HARNESS (NOT SHOWN)
14	0H2929	1	OUTLET 30A 120/250V SPCGR
15	0H3343F	1	PANEL COVER, XG PORTABLE
16	0H6784	2	LED CONTROL PANEL SNAP-FIT XG
17	0D4966	2	OUTLET 20A 120V GFCI GF20BK
18	SEE TABLE 1	-	TRULOAD POWERBAR ASSY
19	0H3968	3	SCREW PPHM M4-0.7 X 20 BLK ZC
20	0G9392	2	COVER, 20A 120V GFCI/DUPLEX
21	0H0265E	2	CB 30A 1P 120V CUL/CSA JOEMEX
22	043180	6	WASHER FLAT M4

FLYWHEEL OPTION ENGINE PRODUCTION LEVEL 10E



EXPLODED VIEW: FLYWHEEL OPTION, 410cc MANUAL START
DRAWING #: 0C4000A

GROUP

APPLICABLE TO:

ITEM	PART #	QTY.	DESCRIPTION
1	082774	1	KEY, WOODRUFF 4 x 19D
2	0C3347C	1	FLYWHEEL, LARGE FRAME 27 DEGREE
3	067198N	1	WASHER, BELV-20 X 2.2
4	067890	1	NUT, HEX - FLYWHEEL