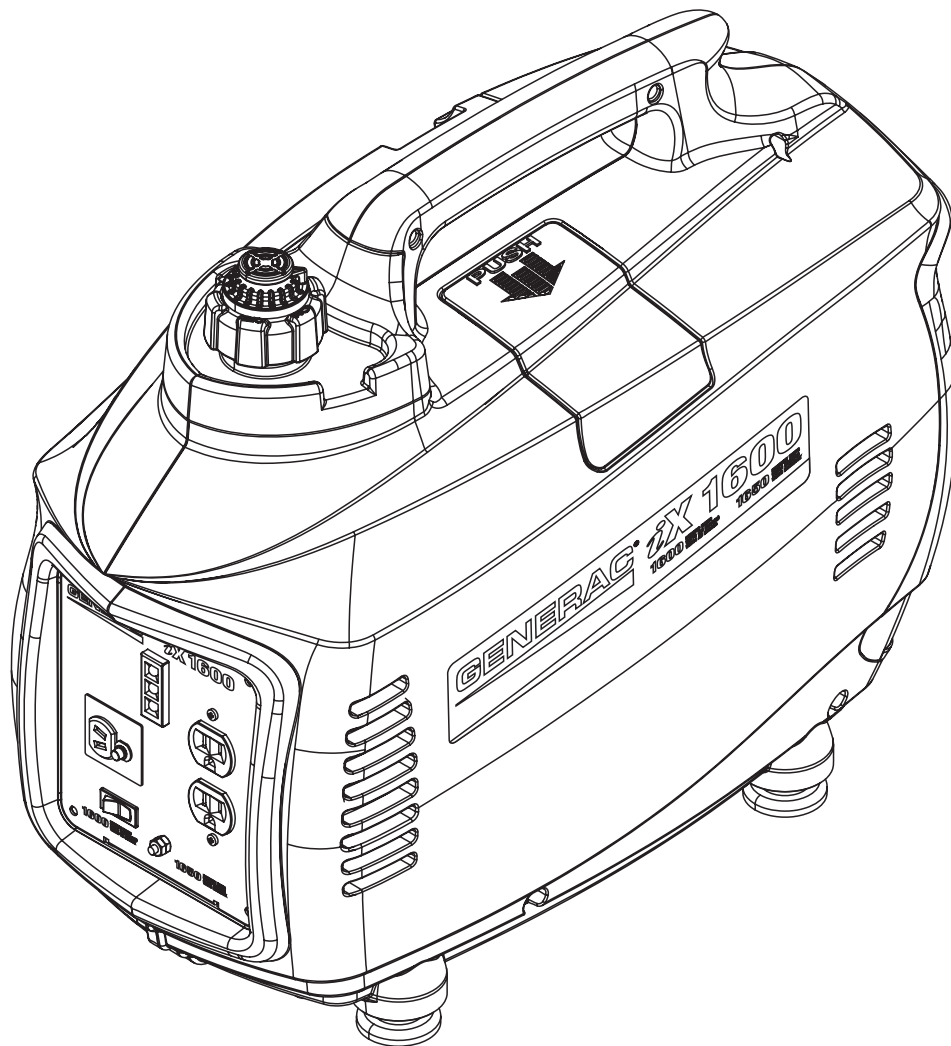


iX 1600

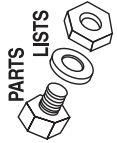
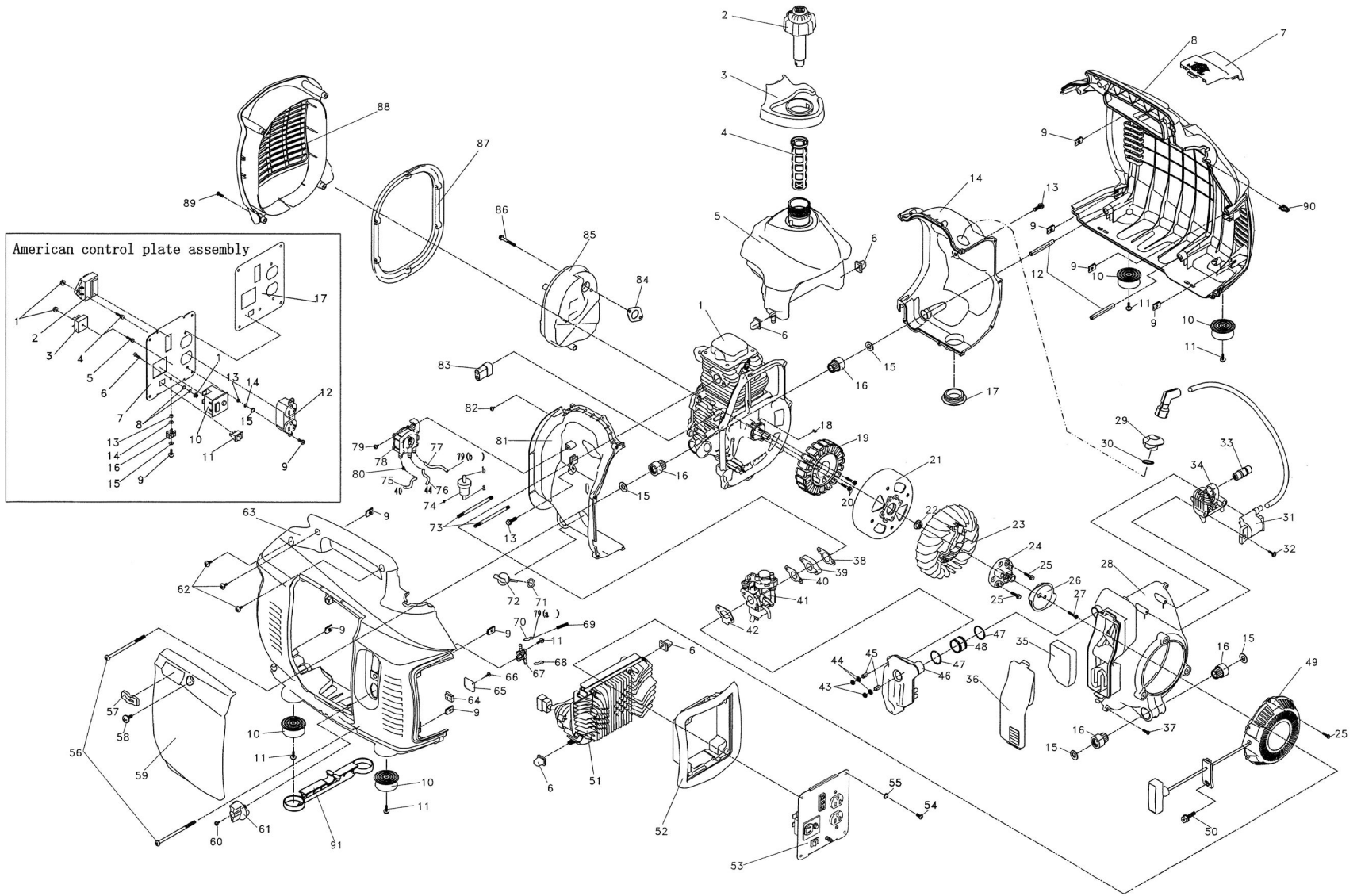
Digital Inverter Generator Parts Manual

MODEL: 005792



GENERAC[®]

iX1600 Model 005792



iX1600 Model 005792



ITEM	PART NO.	DESCRIPTION	QTY.
1	0H6362	ENGINE	1
2	0H63620110	CAP ASSY., FUEL TANK	1
3	0H63620111	COVER, FUEL FILLER PORT	1
4	0H63620112	CUP, FUEL FILTER	1
5	0H63620113	TANK, FUEL	1
6	0H43470114	BLOCK, SHOCK ABSORBER	4
7	0H63620114	COVER, LOWER SHELL	1
8	0H63620115	SHELL, LOWER	1
9	0H43470117	CLIP, SCREW	8
10	0H43470118	FEET, VIBRATION MOUNTS	4
11	0H63620116	RECESSED PAN HEAD SCREW, ST6. 3X19	5
12	0H63620117	ALIGNMENT PIN	2
13	0H43470121	BOLT, HEX, W/ FLANGE M6X12	2
14	0H63620118	CASING, LOWER, ENGINE	1
15	0H63620119	WASHER	4
16	0H43470124	SLEEVE, DAMPING	4
17	0H63620120	SEAL COVER, OIL SENSOR	1
18	0H43470125	KEY, WOODRUFF, 3X5X13	1
19	0H63620121	STATOR ASSY.	1
20	0H63620122	BOLT, HEX, W/ FLANGE M5X30	2
21	0H63620123	FLYWHEEL/ROTOR ASSY.	1
22	0H63620124	NUT, HEX/FLANGED M10X1.25-8	1
23	0H63620125	FAN	1
24	0H63620126	JAW SEAT, STARTING	1
25	0H63620127	BOLT, HEX,FLANGED, M6X16	5
26	0H63620128	COUPLER, STARTING JAW	1
27	0H63620129	BOLT, HEX/FLANGED, M8X14	1
28	0H63620130	COVER ASSY, COWLING AND INLET	1
29	0H43470135	PLUG, RUBBER	1
30	0H43470196	O-RING, RUBBER, 20X1.8	1
31	0H43470136	COIL, IGNITION	1
32	0H63620131	TAPPING SCREW, RECESSED PAN/HD STR. 8X14	2
33	0H63620132	PIN, MOUNTING(POTHOOK PILLAR)	1
34	0H63620133	POT HOOK	1

ITEM	PART NO.	DESCRIPTION	QTY.
35	0H63620134	CLEANER, AIR	1
36	0H63620135	COVER, AIR FILTER	1
37	0H63620136	SCREW, PAN HEAD,TAPPING STR.8X32	6
38	0H63620137	GASKET, CARBURETOR (B) OUT	1
39	0H63620138	BLOCK, CARBURETOR SPACER(CUSHION)	1
40	0H63620139	CARBURETOR, SEAL GASKET A (OUT)	1
41	0H63620140	REGULATING ASSY. CARBURETOR	1
42	0H63620141	GASKET, CARBURETOR IN	1
43	0H63620142	NUT, HEX/ FLANGED, M5	2
44	0H43470197	WASHER, FLAT	2
45	0H63620143	SPACER, FILTER CASE LINER	2
46	0H63620144	CASE ASSY., FILTER	1
47	0H43470151	SPRING CLIP	2
48	0H43470152	FILTER, ADAPTER SLEEVE	1
49	0H63620145	STARTER, RECOIL ASSY.	
50	0H43470200	BOLT, HEX HEAD W/WASHER, M5X12	1
51	0H63620146	INVERTER ASSY	1
52	0H63620147	FRAME, FRONT PANEL	1
353	0H63620148	PLATE ASSY, CONTROL	1
54	0H63620149	SCREW, PAN HEAD, RECESSED, M5X25	4
55	0H43470161	WASHER, FLAT 5	4
56	0H63620150	SCREW, PAN HEAD RECESSED, M6X120	2
57	0H43470163	SEAL COVER, LOWER SHELL	1
58	0H63620151	SCREW, M6X14	1
59	0H63620152	COVER, UPPER SHELL	1
60	0H43470214	SCREW, PAN HEAD M4X12	1
61	0H43470167	SWITCH, FUEL ON/OFF	1
62	0H63620153	SCREW, PAN HEAD, RECESSED, M6X14	3
63	0H63620154	SHELL, UPPER	1
64	0H43470170	SWITCH, IGNITION, ON/OFF	1
65	0H63620155	COVER, SWITCH	1
66	0H43470172	SCREW, RECESSED PAN HEAD/ ST4.2X9.5 TAPPING	2



iX1600 Model 005792

ITEM	PART NO.	DESCRIPTION	QTY.
67	0H43470173	VALVE, FUEL	1
68	0H43470174	HOSE, OIL DISCHARGE	1
69	0H43470175	SHIELD, PIPE SPRING	1
70	0H43470176	HOSE, FUEL PUMPI OIL INJ.	1
71	0H43470177	O-RING	1
72	0H63620156	COVER, OIL W/DIPSTICK	1
73	0H43470179	STUD/BOLT	2
74	0H43470180	FILTER, FUEL	1
75	0H63620157	PIPE, FUEL PUMP OUTLET	1
76	0H63620158	GASPIPE, FUEL PUMP	1
77	0H63620159	PIPE-B, FUEL PUMP INLET	1
78	0H43470184	PUMP ASSY., FUEL	1
79	0H43470185	SCREW, PAN HEAD , RECESSED,	1
80	0H43470198	CLAMP, FUEL HOSE	10
81	0H63620160	CASING, UPPER ENGINE	1
82	0H63620161	SCREW, TAPPING-PAN HEAD RECESSEDST4.2X16	4
83	0H63620162	SLEEVE, RESPERATOR ADAPTOR	1
84	0H63620163	SHIM, MUFFLER	1
85	0H63620164	MUFFLER ASSY.	1
86	0H63620165	BOLT, HEX HEAD, FLANGED, M6X55	3
87	0H63620166	RUBBER SEAL, BACK WINDOW	1
88	0H63620167	WINDOW, BACK(EXHAUST COVER)	1

ITEM	PART NO.	DESCRIPTION	QTY.
89	0H63620168	SCREW, RECESSED PAN HEAD/ M5X20	4
90	0H43470195	RETAINING CLIP, SHELL	1
91	0H63620169	BAFFLE, THERMAL	1
		CONTROL PLATE ASSEMBLY	
1	0H63620142	NUT, HEX/ FLANGED, M5	3
2	0H43470210	IGNITION .LED INDICATOR	1
3	0H43470211	RECTIFIER 1010A	1
4	0H63620170	BOLT, IGNITION APPARATUS	1
5	0H63620171	BOLT, HEX, WITH FLANGE	1
6	0H43470142	BOLT, HEX, WITH FLANGE	1
7	0H63620172	CONTROL PLATE ASSEMBLY	1
8	0H43470161	WASHER, FLAT	2
9	0H43470214	SCREW, RECESSED PAN HEAD	1
10	0H63620173	12VDC PLUG ASSY.	1
11	0H43470215	SWITCH, FLEXPOWER	1
12	0H63620174	120V OUTLET ASSY.	1
13	0H63620175	NUT, I- TYPE HEX	3
14	0H63620176	WASHER, SPRING, STANDARD	3
15	0H43470207	WASHER, FLAT, M4	3
16	0H63620177	PEG, GROUND CONNECTION	1
17	0H63620178	DECAL, CONTROL PLATE	1