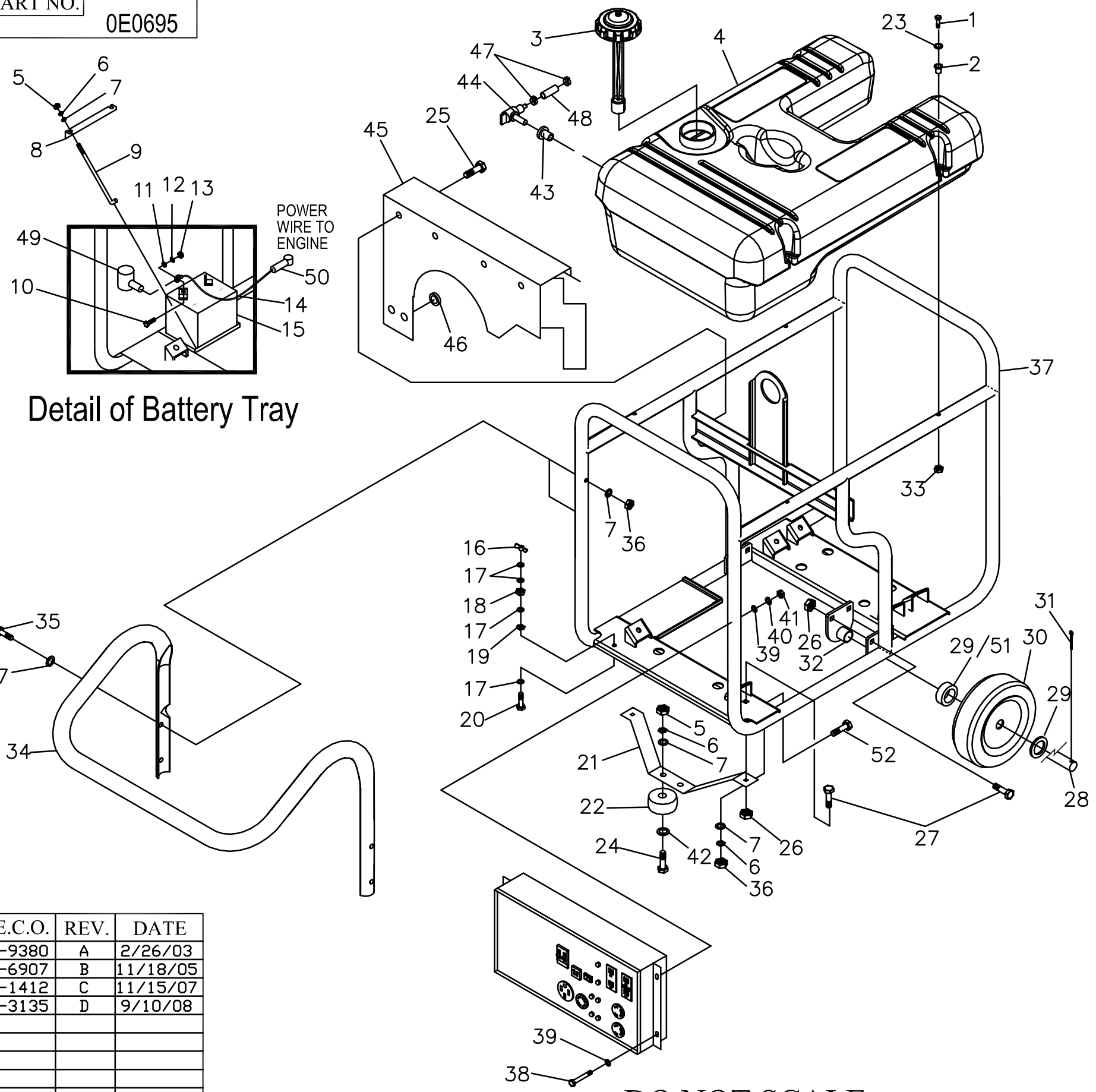


PART NO. 0E0695



Detail of Battery Tray

DO NOT SCALE

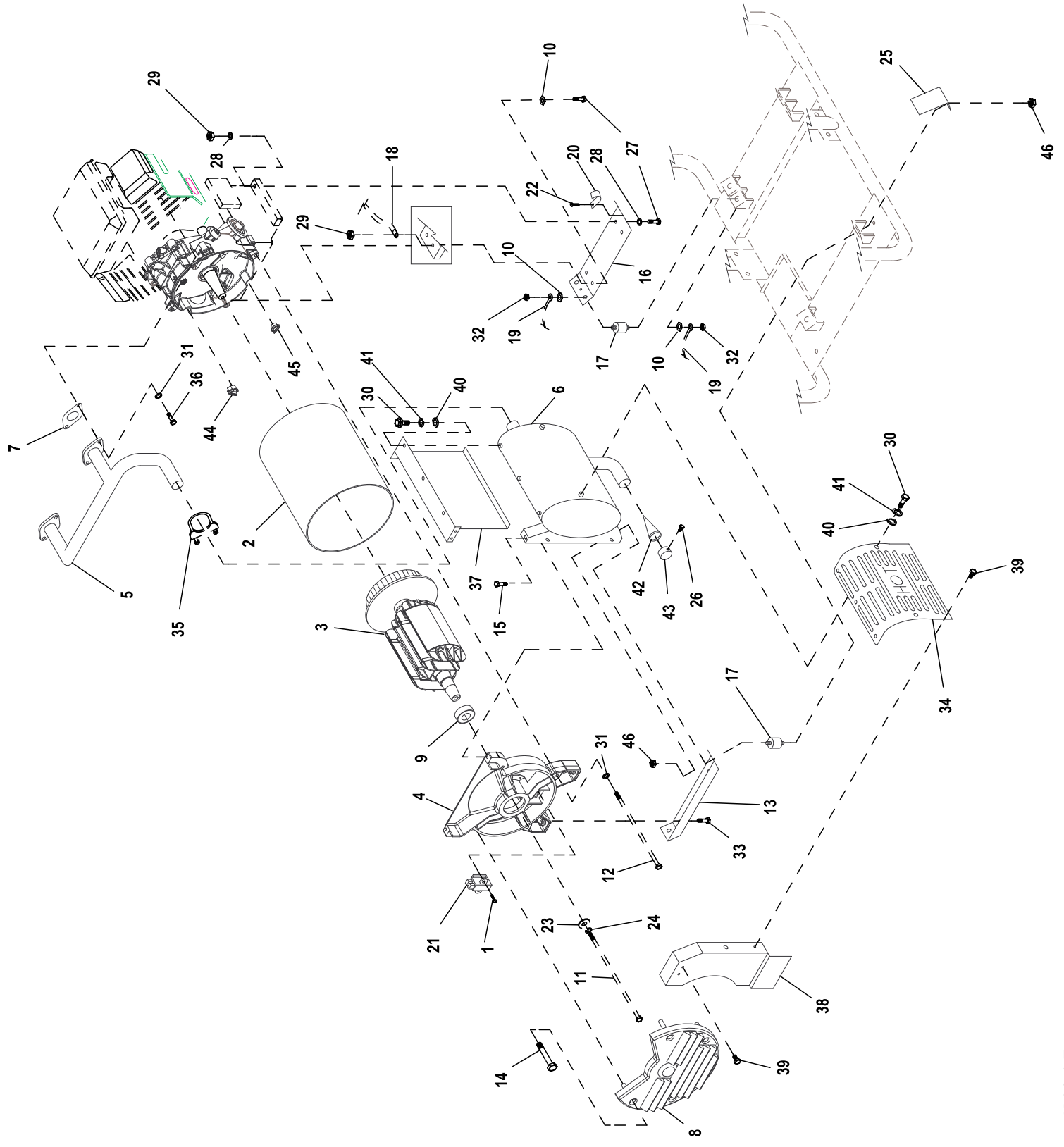
ITEM	PART #	QTY.	DESCRIPTION
1	057058	4	SCREW HHC M6-1.0 X 55
2	0D5315	4	RUBBER TANK MOUNT
3	0D4570	1	CAP, FUEL WITH GAUGE & VENT
4	0D22850SRV	1	KIT, FUEL TANK
5	045771	4	NUT HEX M8-1.25
6	022129	6	WASHER LOCK M8-5/16
7	022145	14	WASHER FLAT 5/16
8	0D4565	1	BRACKET BATTERY
9	0D3545	2	BOLT, BATTERY J-BOLT
10	022287	2	SCREW HHC 1/4-20 X 3/4 G5
11	022473	2	WASHER FLAT 1/4
12	022097	2	WASHER LOCK M6-1/4
13	022127	2	NUT HEX 1/4-20
14	0388040AK0	1	BATTERY CABLE, RED
15	0D4575	1	BATTERY U1
16	0D5202	1	NUT WING 5/16-18 BRASS
17	0D5199	4	WASHER FLAT 5/16 BRASS
18	029809	1	NUT HEX 5/16-18 BRASS
19	0C3168	1	5/16 SPECIAL LWASH
20	0D5198	1	SCREW HHC 5/16-18 X 1.5 BRASS
21	0E0317	1	BRACKET FRONT FOOT (15 kW)
	0D2498	1	BRACKET FRONT FOOT (12.5 kW)
22	027007	2	VIB MOUNT
23	0D5303	4	WASHER FLAT .25ID X 1"OD
24	042909	2	SCREW HHC M8-1.25 X 30
25	090388	4	SCREW HHTT M6-1.0 X 12
26	064101	6	NUT LOCK FL 3/8-16
27	039214	6	BOLT CARR 3/8-16 X 1
28	0D9165	1	AXLE, 3/4"DIA X 30" (15 kW)
	0D2496	1	AXLE, 3/4"DIA X 27.25" (12.5 kW)
29	045900	2	WASHER FLAT 3/4" (15 kW)
	045900	4	WASHER FLAT 3/4" (12.5 kW)
30	0D7668	2	12.3" PNEUM WHEEL 3/4" AXLE (15 kW)
	0D2495	2	10" PNEUM WHEEL 3/4" AXLE (12.5 kW)
31	0D4999	2	PIN COTTER 1/8 X 1-1/4
32	0D4044	2	BRACKET, WHEEL SPACER
33	0D3700	4	NUT FLANGE M6-1.0 NYLOK
34	0D2497	1	HANDLE
35	022532	4	SCREW HHC 5/16-18 X 2-1/2 G5
36	027028	6	NUT LOCK HEX 5/16-18 NYLON INSERT
37	0D2271	1	FRAME
38	052762	4	SCREW HHC M5-0.8 X 45 G8.8
39	051713	8	WASHER FLAT M5
40	049226	4	WASHER LOCK M5
41	051716	4	NUT HEX M5-0.8
42	050190	2	WASHER FLAT 1"
43	078299	1	BUSHING TANK DEXTOR
44	080270	1	VALVE, PLASTIC TANK
45	0D5142	1	AIR DEFLECTOR
46	096021	2	GROMMET .75 X .06 X .50
47	0G3662A	2	CLAMP, HOSE OETIKR STEPLSS 14.5
48	0F9176	18"	HOSE 1/4 ID
49	075763	1	BOOT BATTERY CABLE
50	075763A	1	BOOT STARTER CABLE
51	0E0318	2	SPACER, AXLE (15 kW)
52	030795	2	SCREW HHC 5/16"-18 X 1"

E.C.O.	REV.	DATE
F-9380	A	2/26/03
G-6907	B	11/18/05
H-1412	C	11/15/07
H-3135	D	9/10/08

GROUP

EXPLODED VIEW:		FRAME		GENERAC POWER SYSTEMS	
DRAWN BY:	BEN KIELAS	DATE:	4/13/02	P.O. BOX 8 WAUKESHA, WIS. 53186	
CHECKED BY:	J. VRANAK	DATE:	4/24/02	FIRST USE:	00451-1
APPROVED BY:	C. TURNER	DATE:	4/24/02	PART NO.:	0E0695
RELEASED FOR PRODUCTION BY:	C. TURNER	DATE:	4/24/02	REV.:	D

# GROUP EV



**EXPLODED VIEW: EV GENERATOR 990 GP PORTABLE****DRAWING #: 0H0766****GROUP EV**

<b>ITEM</b>	<b>PART#</b>	<b>QTY.</b>	<b>DESCRIPTION</b>
1	066849	2	SCREW HHTT M5-0.8 X 16
2	0G2921	1	STR-102-15.0AD1 PORT
	0G2923	1	STR-102-17.5AD1 PORT
3	0G2922SRV	1	RTR-102-15 AD1 PORT W/FAN
	0G2924SRV	1	RTR-102-18.0AD1 PORT W/FAN
4	0C6043B	1	CARRIER, REAR BEARING
5	0D2492	1	EXHAUST MANIFOLD
6	0D2726	1	MUFFLER
7	0C4138	2	GASKET, EXHAUST
8	0D3547	1	COVER, ALTERNATOR AIR IN
9	031971	1	BEARING
10	0C3168	3	5/16 SPECIAL LOCK WASHER
11	0D1838	1	SCREW IHHC 3/8-24 X 15.50 G5
12	0D3549	4	SCREW IHHC M8-1.25 X 400 G8.8
13	0C7038E	1	BRACKET, ALT MOUNTING
14	032712	4	SCREW HHTT #10-32 X 1.75
15	0D4662	1	SCREW HHTT M8-1.2 X 20
16	0C7038D	1	ENGINE MOUNTING PLATE
17	0C7758	6	RUBBER MOUNT
18	0388050AF0	1	BATTERY CABLE, BLACK
19	0C2417A	1	EARTH STRAP 3/8X 3/8
20	082121C	1	CLIP-J VINYL COAT .625 ID
21	066386	1	ASSEMBLY, BRUSH HOLDER
22	0C2824	1	SCREW TAP-R #10-32 X 9/16
23	0G2551	1	WASHER FLAT 3/8 G8.8
24	022237	1	WASHER LOCK 3/8
25	0D6214	1	SHIELD, RUBBER MOUNT
26	045764	1	SCREW HHTT M4-0.7 X 8
27	051731	4	SCREW HHC M8-1.25 X 50 G8.8
28	022145	5	WASHER FLAT 5/16 ZINC
29	049820	4	NUT LOCK HEX M8-1.25 NYLON INSERT
30	043116	7	SCREW HHC M6-1.0 X 12
31	022129	7	WASHER LOCK M8-5/16
32	022259	2	NUT HEX 5/16-18 STEEL
33	059637	2	SCREW TAPTITE 3/8-16 X 3/4 BP
34	0D5100	1	SHIELD, MUFFLER HEAT
35	0D5823	1	U-BOLT & SADDLE
36	0C8565	4	SCREW SHC M8-1.25 X 18
37	0D5833	1	PANEL, MUFFLER BOX BACK
38	0D5834	1	PANEL, MUFFLER BOX END
39	090388	3	SCREW HHTT M6-1.0 X 12
40	022473	5	WASHER FLAT M6-1/4
41	022097	5	WASHER LOCK M6-1/4
42	0D5133	1	SPARK ARRESTOR SCREEN
43	0D5133A	1	RETAINER, SPARK ARREST SCREEN
44	0G2387	1	PLUG, GEARCOVER ADAPTOR
45	0K4360	1	PLUG, GEAR COVER, SMALL
46	0H6559	10	NUT HEX FLANGE WHIZ 5/16-18