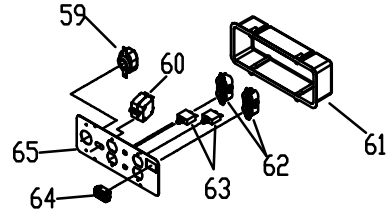
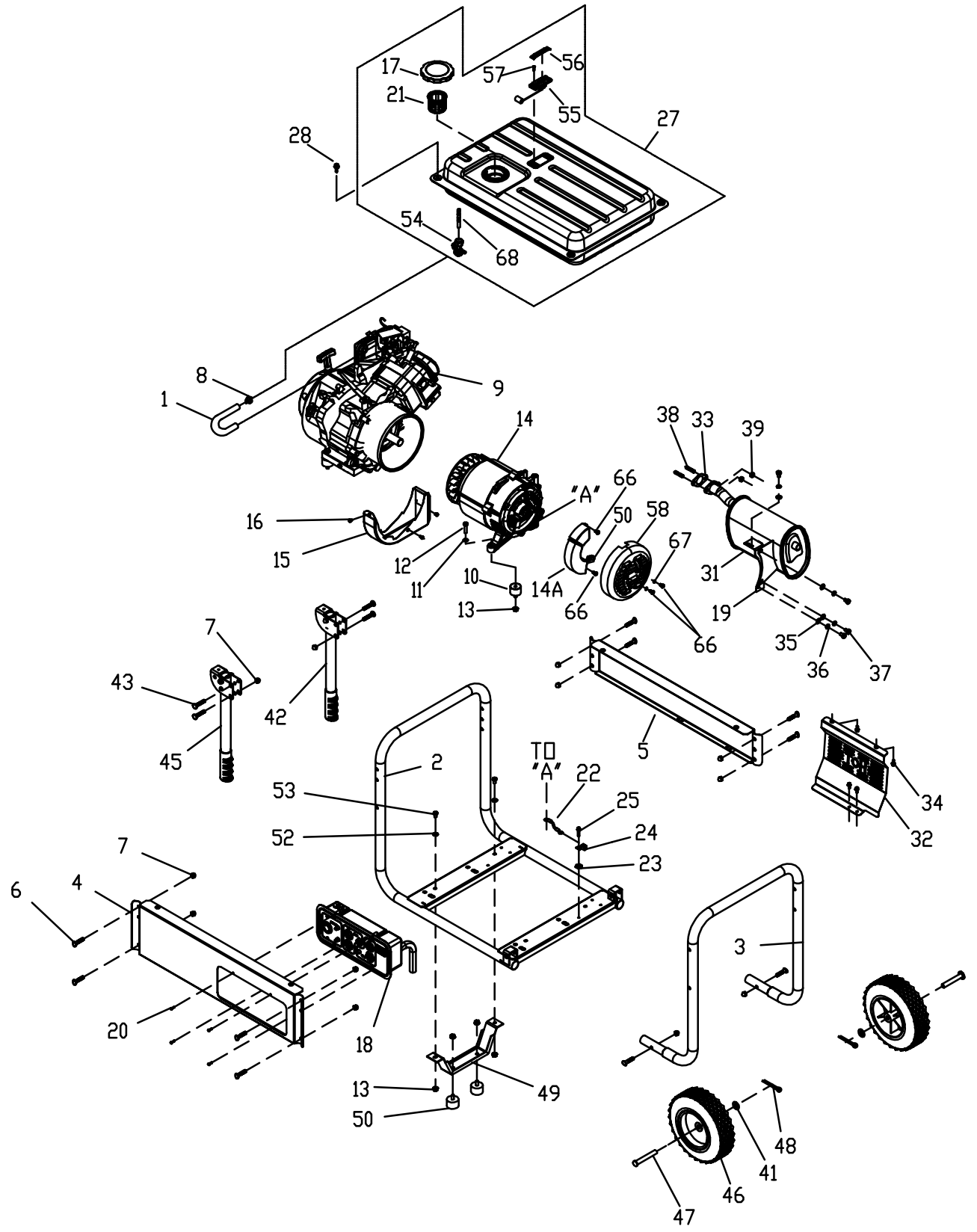


PART NO. 0H1251



CONTROL PANEL DETAIL



ITEM	PART #	QTY.	DESCRIPTION	ITEM	PART #	QTY.	DESCRIPTION
1	0G9758	1	FUEL HOSE, 41D X 8.5 DIA OD X 180mm	46	0G851	2	TIRE, 8.5" DIA RUN FLAT PLASTIC HUB/RUB TREAD
2	0H0188	1	ASSY, CRADLEBASE	47	0H204	2	AXLE PIN, 1/2" X 4"
3	0G8328	1	CRADLE, END	48	0D4999	2	COTTER PIN, 1/8"
4	0G8327	1	PANEL RAIL	49	0H1114	1	FRAME, BENT FOOT
5	0G8328	1	BACK RAIL	50	0G8478	2	RUBBER FOOT
6	0G8467	10	CURVED HEAD BOLT, 5/16-18 X 1.825" LONG	52	022146	2	WASHER, FLAT 5/16-M8
7	0G8486	12	CAP NUT LOCKING 5/16-18	53	038223	2	S CREW, HHC 5/16-M8 X 1/2"
8	048031G	1	CLAMP, HOSE	54	0H1684	1	VALVE, FUEL SHUTOFF
9	0G8442	1	ENGINE, 389cc W/OUT MUFFLER	55	0H1345	1	FUEL GAUGE, 153mm ARM
10	0G8527	4	VIBRATION MOUNT, 1.38 X 1.0 X 5/16-18 MF	56	0H1359	1	PLATE, FUEL GAUGE
11	022129	4	WASHER, LOCK M8.5/16	57	0H1357	2	S CREW, PFHM M5.0.8 X 12
12	03212	4	SCREW, HHC 5/16-18 X 1-1/4"	58	0H049	1	COVER, ALTERNATOR
13	0G973J	8	NUT, LOCK FLANGE 5/16-18	59	0G9758	1	OUTLET, 30A 120/250V
14	0G8445	1	ALTERNATOR 650W BRUSHLESS	60	0G9029E	1	CIRCUIT BREAKER, 27A 240V
14A	0G8440101	1	CAPACITOR	61	0G9756	1	RECEPTACLE PANEL
15	0G8854	1	SCROLL, ALTERNATOR	62	0G8507	2	OUTLET, 20A 120V
16	0E5845	3	SCREW, HHC M5.0.8 X 8	63	0H0265C	2	CIRCUIT BREAKER, 20A 120V
17	0H1325A	1	FUEL CAP, VENTED	64	0G8321	1	HOUR METER
18	0G9882D	1	ASSEMBLY, CONTROL PANEL 27A	65	0G9808A	1	COVER, RECEPTACLE PANEL
19	0G8542	1	BRACKET, MUFFLER 389cc	66	052618	4	S CREW, HHC M5.0.8 X 12
20	0G832	4	SCREW, PPH #8-18 X 1/2"	67	049226	2	WASHER, LOCK M5
21	0H1324	1	FUEL FILTER	68	0H1613	1	FILTER, FUEL VALVE
22	0G8730C	1	ASSEMBLY, GROUND WIRE ALTERNATOR TO BASE				
23	0A1658	1	WASHER, LOCK SPECIAL 1/4"				
24	065414	1	LUG, SOLDERLESS #2-#8				
25	082079	1	SCREW, HHT M6-1.0 X 25				
27	0G8480	1	ASSEMBLY, FUEL TANK 6.6 GAL LON				
28	0G5445	1	SCREW, HHT M8-1.25 X 20				
31	0G8543	1	MUFFLER, 389cc				
32	0G8713	1	SHIELD, HEAT				
33	0G9028	1	GASKET, MUFFLER				
34	04088	4	SCREW, HHT M6-1.0 X 12				
35	022145	4	WASHER, FLAT 5/16-M8				
36	022129	4	WASHER, LOCK M8.5/16				
37	051754	4	SCREW, HHC M8-1.25 X 12				
38	045761M	2	STUD, M8-1.25 X 35				
39	045771	2	HEX NUT, M8-1.25				
41	022304	2	WASHER, FLAT 1/2"				
42	0G8530B	1	ASSEMBLY, HANDLE LH				
43	0H0031	4	CARRIAGE HEAD BOLT 5/16-18 X 1.75" LONG				
45	0G8538B	1	ASSEMBLY, HANDLE RH				

E.C.O.	REV.	DATE
---	A	10/20/08
H-3449	B	11/6/08
H-3946	C	4/07/09
H-4716	D	7/30/09
H-6252	E	3/16/10

MODEL: 005690-0  
GP 6.5kW PULL START CSA

DO NOT SCALE

GROUP

EXPLODED VIEW:		GP 6.5kW PORTABLE		GENERAC POWER SYSTEMS	
DRAWN BY:	KNM	DATE:	10/20/08	P.O. BOX 8 WAUKESHA, WIS. 53186	
CHECKED BY:	DMC	DATE:	10/21/08	FIRST USE:	005690-0
APPROVED BY:	SS	DATE:	10/21/08	PART NO.:	0H1251
RELEASED FOR PRODUCTION BY:	SAEID SHOKRZADEH	DATE:	10/21/08	REV.:	E