

EXPLODED VIEW: ENGINE PARTS

DRAWING #: 0H0743

APPLICABLE TO: 0G9811

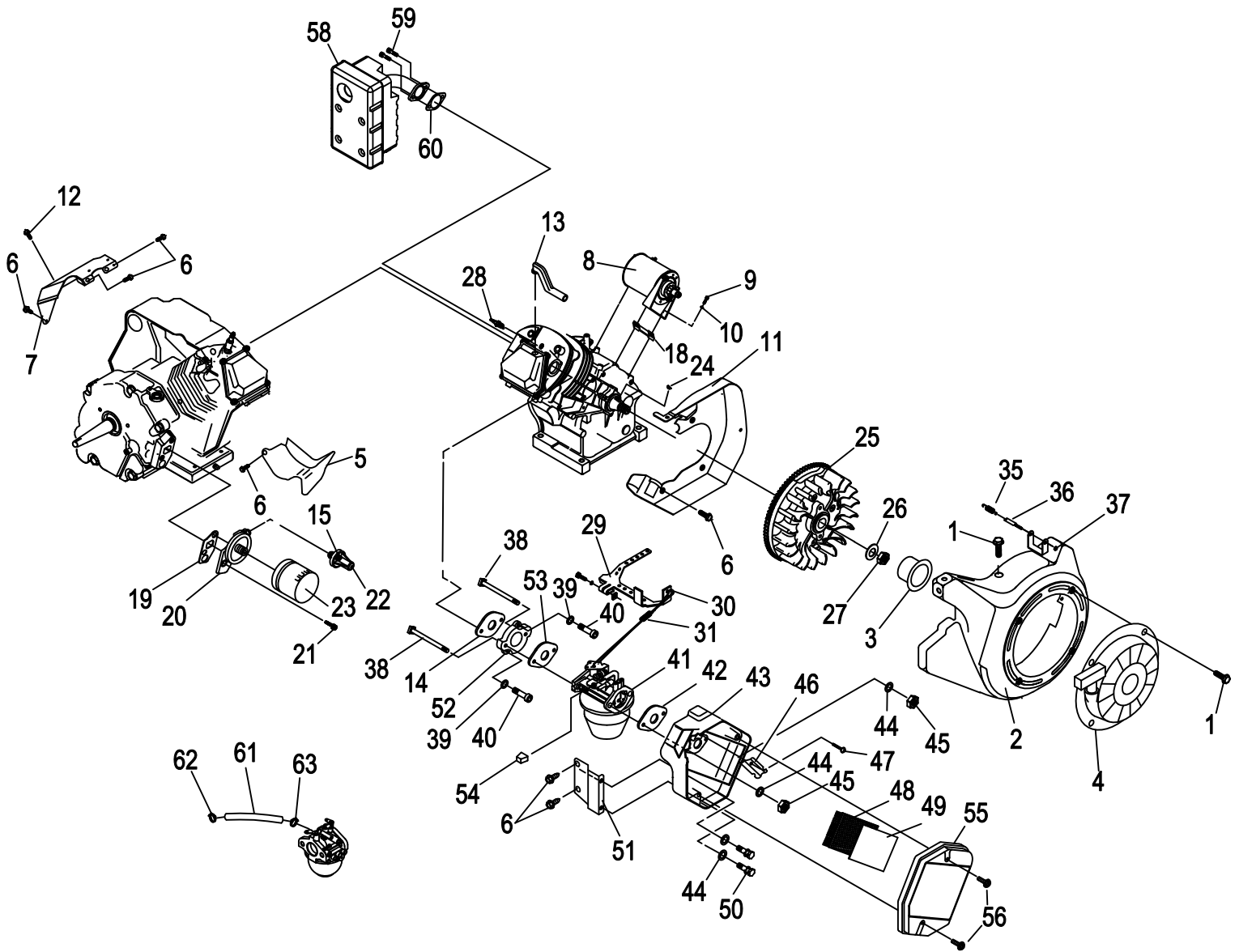
GROUP

ITEM	PART #	QTY.	DESCRIPTION
1	0C1069	9	SCREW HHTT M6-1.0 X 8 ZYC
2	0G5643	1	ASSEMBLY, BLOWER HOUSING
3	0E9521	1	PULLEY STARTER LARGE FRAME
4	0E9483	1	RECOIL STARTER LARGE FRAME
5	088434	1	WRAPPER, BOTTOM 12 HP HS
6	045756	10	SCREW HHTT M6-1.0 X 10 YELLOW CHROME
7	0C4176A	1	WRAPPER, TOP REGULAR STEEL
8	0D9004A	1	ASSEMBLY, STARTER 46
9	059985	2	SCREW, SHC M8-1.25 X 4.5 G12.9
10	022129	2	WASHER, LOCK M8-5/16
11	073116A	1	BACKPLATE, W/ ELECTRIC START
12	083512	1	SCREW, HHTT M8-1.25 X 16 YELLOW CHROME
13	0D7199A	1	HOSE, BREATHER GH410 ENGINES
14	091039	1	GASKET, INTAKE ADAPTER
15	036916	2	SCREW PPHM #8-32 X 1/4
16	087858N	1	ASSEMBLY, WIRE #0-4.5" LONG (NOT SHOWN)
-	-	-	-
18	0C4373	1	SPACER, ENDFRAME GH 410
19	086999	1	GASKET, OIL FILTER ADAPTER
20	0D5667A	1	ADAPTER, OIL FILTER NO TAPPED HOLES
21	049821	2	SCREW, SHC M8-1.25 X 3.0 G12.9
22	0D9235	1	SWITCH, HOBBS OIL PRESSURE 5PSI
23	070185B	1	FILTER, OIL BLACK 75 LONG
24	082774	1	KEY, WOODRFF 4 X 19D
25	091222C	1	FLYWHEEL, WITH RING GEAR 27 DEGREE
26	067198N	1	WASHER, BELV-20 X 2.2
27	067890	1	NUT HEX M20-1.5 G8 YLW CHROME- FLYWHEEL
28	0E7585	1	SPARKPLUG, CHAMPION RC14YC
29	072734	1	ASSEMBLY, GOVERNOR LEVER 12HP
30	072735	1	ROD, GOVERNOR CONTROL
31	0C3978	1	SPRING, ANTI-LASH
32	0G2386	1	ENGINE HARNESS, PORTABLE
-	-	-	-
-	-	-	-
35	073100	1	SPRING GOVERNOR 320/360/410
36	083502	1	BOLT, GOVERNOR ADJUSTMENT M5
37	082025	1	NUT, HEX LOCK M5-0.8 NYLON INSERT ZINC
38	081647	2	BOLT, CARBURETOR MOUNTING
40	040945	2	SCREW, SHC M6-1.0 X 20 G12.9 ZINC PLATED
41	0A4600	1	CARBURETOR, 4 10 HS
42	090970	1	GASKET, AIR CLEANER
43	0G5630A	1	BASE, AIR CLEANER 4 10 HI FLOW
44	049811	4	WASHER, FLAT M6
45	0B2236	2	NUT, HEX LOCK M6-1.0 NYLON INSERT
46	091204	1	PLATE, SPITBACK
47	059635	1	SCREW, PLASTITE #8 X .37 LONG
48	073111	1	ELEMENT, AIR FILTER
-	-	-	-
50	079246	2	SCREW, HHC M6-1.0 X 16 W/ LOCK WASHER
51	090827	1	BRACKET, AIR CLEANER
52	091028	1	ADAPTER, "K"
53	089228	1	GASKET, CARBURETOR/MANIFOLD
54	083504	1	KNOB, CHOKE LEVER
55	073104B	1	COVER, AIR CLEANER 13GN

ITEM	PART #	QTY.	DESCRIPTION
56	078609	2	BOLT, AIR CLEANER COVER
-	-	-	-
58	0E5223A	1	MUFFLER, 410 SIDE-OUT ALUMINIZED
59	040976	2	SCREW, SHC M8-1.25 X 20 G12.9
60	090239	1	GASKET, EXHAUST
61	0F9176D	1	HOSE, 1/4" SAE30R7 SETIFLEX 6"
62	048031C	1	CLAMP, HOSE BAND 1/2"
63	040173	1	CLAMP, HOSE WORM GEAR
*64	0E9835	1	GOLF TEE, FUEL LINE PLUG

\* = NOT SHOWN IN EV

# GROUP



## EXPLODED VIEW: LONG BLOCK REPAIR PARTS

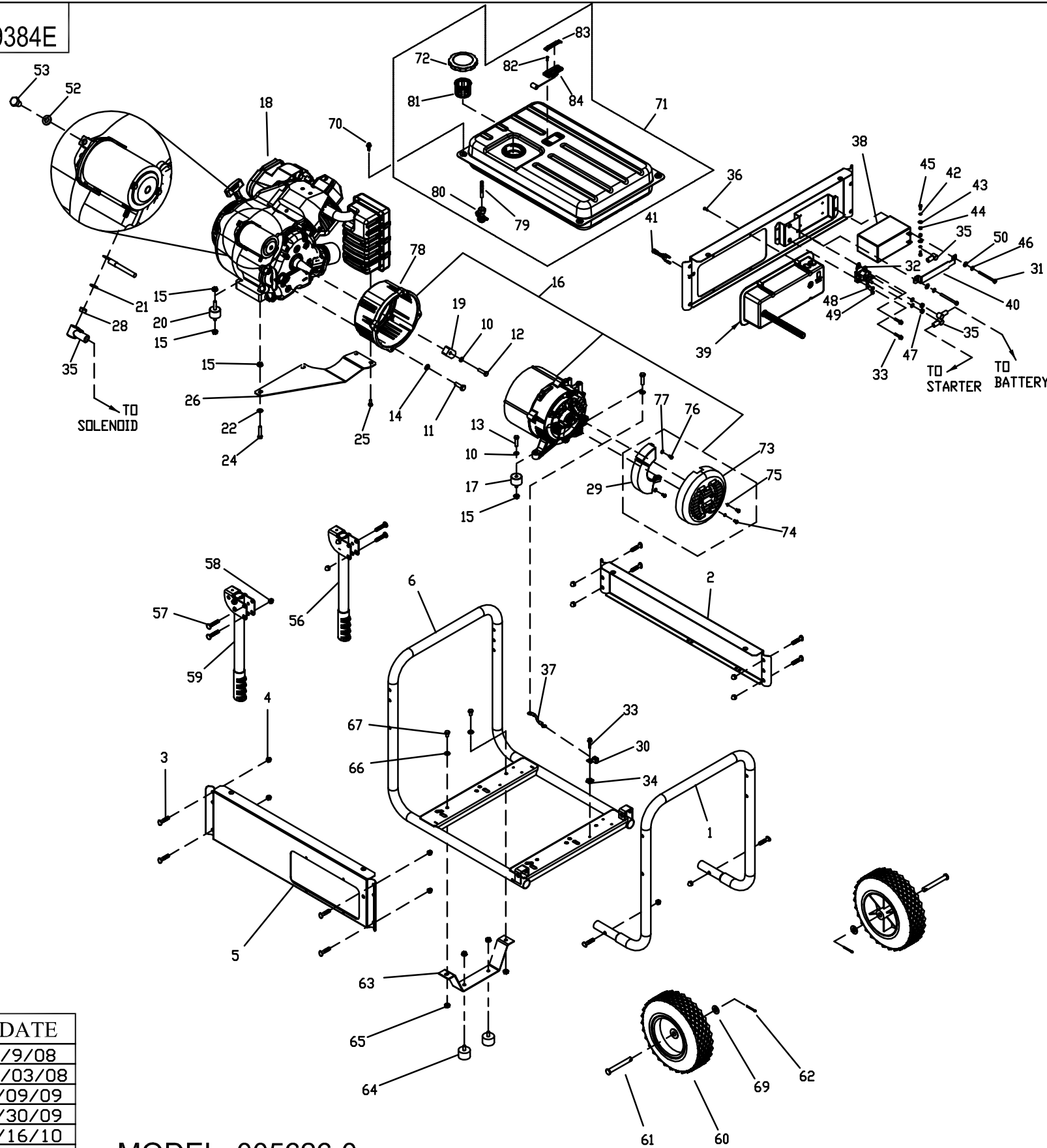
DRAWING #: 0H0743

APPLICABLE TO: 0G9811

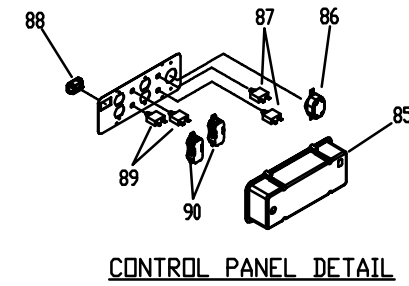
GROUP

ITEM	PART #	QTY.	DESCRIPTION
1	0D9241H	1	ASSEMBLY, CONNECTING ROD
2	0E1466	1	PIN, PISTON D20
3	021533	1	RING SET, PISTON Ø90
4	0G2751	1	PISTON, FLAT TOP Ø90 COATED
5	071983	2	RETAINER, PISTON PIN 20
6	0G9809	1	ASSEMBLY, CRANKSHAFT GH410 SMALL TAPER
7	0A7628	1	ARM, GOVERNOR RC45
8	078658	1	PIN, "R" GOVERNOR ARM
9	078659	2	WASHER, GOVERNOR ARM THRUST
10	0F8446C	1	CRANKCASE, SUBASSEMBLY WITH PLUGS GH410
11	0E3812	2	SEAL, 35 I.D. CRANKSHAFT
12	0E6519	1	ASSEMBLY, GOVERNOR GEAR
13	078645	1	C-RING, GOVERNOR GEAR RETAINER
14	0A7811	1	SPOOL, GOVERNOR- MACHINE
15	0A9877	1	ASSEMBLY, CAMSHAFT & GEAR
16	076701	1	GASKET , CRANKCASE
17	021713B	1	GASKET, HEAD 410
18	078691	1	COVER, OIL PRESSURE RELIEF
19	0A5771	1	SPRING, OIL RELIEF 360
20	0A5776	1	BALL, DIA 11/32 PRESSURE RELIEF
21	076361	1	WASHER, THRUST GOVERNOR GEAR
22	0G4233A	1	ASSEMBLY, COVER, GEAR TOP CHECK / FILL
23	0D2274	2	RETAINER, VALVE SPRING
24	0C4391	2	VALVE SPRING LF
25	086025	1	SET, GEROTOR 12 THK
26	0E3341	1	BALANCER
27	0G6791	1	ASSEMBLY, CYLINDER HEAD SEATS & GUIDES
28	086516	1	VALVE, EXHAUST
29	086517	1	VALVE, INTAKE
30	0D9853B	2	PUSH ROD 174.9
31	083897	2	TAPPET
32	077158	1	ASSEMBLY, SCREEN OIL PICK-UP
33	0C3150	1	GASKET, ROCKER COVER 410
34	072694	2	STUD, D20 PIVOT BALL
35	083907	2	ROCKER ARM
36	0D3998	2	NUT, JAM (ROCKER ARM)
37	078694	1	PLATE, PUSH ROD GUIDE
38	021742	4	SCREW, HHFL M10-1.5 X 105
39	0D6094B	1	ASSEMBLY, ROCKER COVER GENERAC TEXT
40	076329	1	PLUG, OIL FILL PLASTIC
41	0E0057	1	O-RING 17.8 I.D. x 2.4
42	0D4788	2	PLUG, STANDARD PIPE 3/8 STEEL SQUARE HEAD
43	074908	1	SCREW, TAPTITE M5-0.8 X 10 BP
44	086515	4	KEEPER, VALVE SPRING
45	078606	4	SCREW & LOCKWASHER M6-1 X 12
46	0A1442	8	SCREW, HHFC M8-1.25 X 42
47	078672	1	SEAL, VALVE STEM D7
48	089673	2	WASHER, VALVE SPRING
49	0B2104	1	WASHER, LARGE SPRING
50	078699C	2	SLEEVE, DOWEL PIN 14 DIA.
51	0A7627	1	SHAFT, GOVERNOR RC55
52	078699B	2	SLEEVE, DOWEL PIN 12 DIA.

PART NO. 0G9384E



ITEM	PART #	QTY.	DESCRIPTION	ITEM	PART #	QTY.	DESCRIPTION
1	0G9326	1	CRADLE END	47	02217	2	NUT HEX 1/4-20
2	0G9328	1	BACK RAIL	48	02264	2	WASHER, LOCK #8MM
3	0G8467	10	CURVED HEADBOLT 5/16-18 X 1.625" LONG	49	02271	2	NUT HEX #8-32 STEEL
4	0G8486	10	CAP NUT LOCKING 5/16-18 THREAD	50	02243	2	WASHER FLAT 1/4" #6
5	0G3005	1	PANEL RAIL, ELECTRIC START	51	04028	1	LOOSE WIRE SUPPORT ELEC START (NOT SHOWN)
6	040168	1	ASSY, CRADLE BASE	52	022129	1	WASHER, LOCK #8-5/16
10	022129	3	WASHER, LOCK #8-5/16	53	051754	1	SCREW, HHC #6-1.25 X 12
11	022511	3	SCREW, HHC 3/8-16 X 1-1/4 GS	55	0G8470B	1	ACCESSORY KIT, 14 GRAY (VINs: 55-69)
12	030209	1	SCREW, HHC 5/16-24 X 1-1/4 GS	56	0G8530B	1	ASSY, HANDLE LH ORANGE
13	033212	2	SCREW, HHC 5/16-18 X 1-1/4 GS	57	040031	4	CHB CUSTOM 5/16-18 X 46mm LONG
14	046526	3	WASHER, LOCK #10	58	0G8486	2	CAP NUT LOCKING 5/16-18
15	066673J	8	NUT LOCK FLG 5/16-18	59	0G8533B	1	ASSY, HANDLE RH
16	0G8446	1	ALTERNATOR, 7000W SAE, BRUSHLESS	60	0G8651	2	TIRE 95" DIAR UN FLAT PLASTIC / RUBBER
17	0G8527	2	VIB MOUNT 1.38 X 1.0 X 5/16-18 MALE / FEMALE	61	040204	2	AXLE PIN 1/2" X 4"
18	0G9811	1	ASSEMBLY, ENGINE GH-410	62	044999	2	RN, COTTER
19	0G9832	1	BRACKET, MOUNT 7kW ALTERNATOR	63	041114	1	FRAME, BENT FOOT
20	0G9833	2	VIB MOUNT RUBBER 1.38 X 1.0 X 5/16-18 NMM	64	0G8478	2	RUBBER FOOT
22	022145	2	WASHER, FLAT 5/16-18 #8	66	022145	2	WASHER, FLAT 5/16-18 #8
24	030231	2	SCREW, HHC 5/16-18 X 1-1/2	67	036223	2	SCREW, HHC 5/16-18 X 1/2
25	0G9926	2	HFC S M6-1.0 X 16	69	022304	2	WASHER, FLAT 1/2"
26	042521	1	BRACKET, MOUNTING, MUFFLER GH-410	70	0G5445	4	SCREW, HIT #8-1.25 X 20
27	0C7649	1	CLAMP, HOSE .38-.87 (NOT SHOWN FUEL HOSE)	71	0G8469	1	ASSY, FUEL TANK 8.0 GAL
28	049813	1	NUT, HEX M6-1.0 G8	72	041325A	1	FUEL CAP, VENTED
29	0G84440101	1	CAPACITOR, VOLTAGE REGULATOR	73	043049	1	COVER, ALTERNATOR INLET
30	055414	1	LUG, SOLDERLESS #2 #8 X 176 4CU	74	05618	2	SCREW, HHC M5.0 x 12
31	055816	2	SCREW, HHC M6-1.0 X 70	75	049226	2	WASHER, LOCK #6
32	086729	1	CONTACTOR, STARTER SOLENOID	76	049815	2	SCREW, HHC M5.0 x 16
33	092079	1	ASSY, GROUND WIRE ALTERNATOR TO BASE	77	051713	2	WASHER, FLAT #6
34	041658	1	WASHER, LOCK SPECIAL 1/2"	78	044044	1	ENGINE ADAPTOR, 410cc
35	0G6392	2	BOOT, VINYL-STARTER CONTACTOR	79	041613	1	FILTER, FUEL VALVE
36	0G9382	4	SCREW, PPPH #8-16 X 1/2 B2C	80	041684	1	VALVE, FUEL SHUTOFF
37	0G8753C	1	ASSY, GROUND WIRE, ALT. TO BASE (NOT SHOWN)	81	041326	1	FUEL FILTER
38	0G8449	1	BATTERY, 12V 10AH	82	041357	2	SCREW, PH #MM5.0 x 12
39	0G8776B	1	RECEPTACLE PANEL 30A RND WHR MTR	83	041359	1	PLATE, FUEL GAGE
40	0G9882	1	BRACKET, BATTERY HOLD DOWN	84	041345D	1	FUEL GAGE, 115mm LONG ARM
41	040025	1	ASSY, DC POWER JACK	85	0G9756	1	RECEPTACLE PANEL
42	022152	2	WASHER, LOCK #10	86	0G8758	1	OUTLET, 30A 120/250V
43	023897	2	WASHER, FLAT #10 ZINC	87	040265E	2	CIRCUIT BREAKER, 30A 120V
44	051716	2	NUT, HEX M5.0 8G8 CLEAR ZINC	88	0G8021	1	HOUR METER
45	052518	2	SCREW, HHC M5.0 X 12	89	040265C	2	CIRCUIT BREAKER, 20A 120V
46	022097	4	WASHER, LOCK #6-1/4	90	0G8607	2	OUTLET, 20A 120V DUPLEX



E.C.O.	REV.	DATE
---	A	9/9/08
H-3240	B	10/03/08
H-4102	C	3/09/09
H-4716	D	7/30/09
H-6252	E	3/16/10

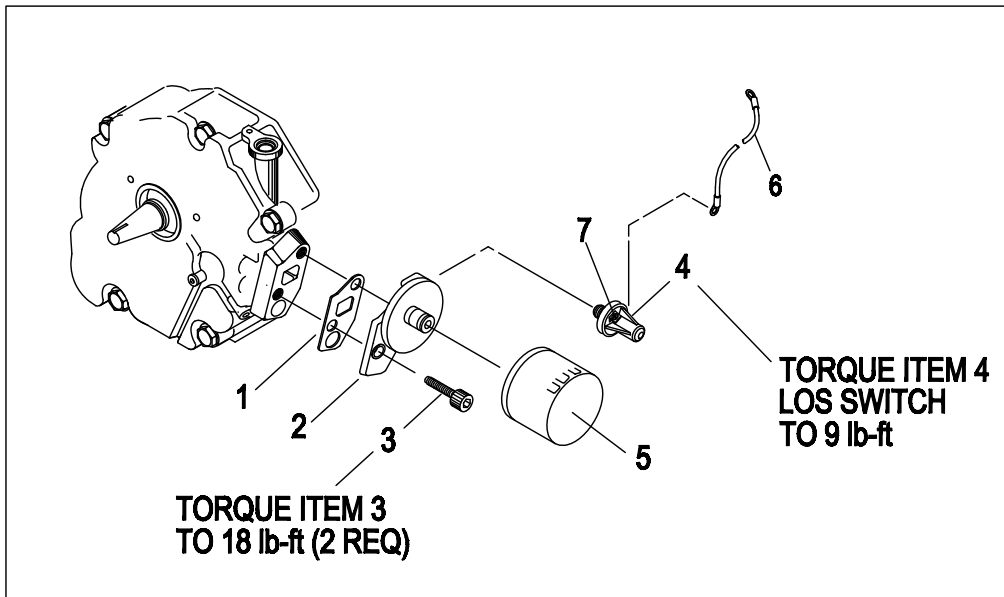
MODEL: 005626-0  
GP 7000E ELEC START

DO NOT SCALE

GROUP

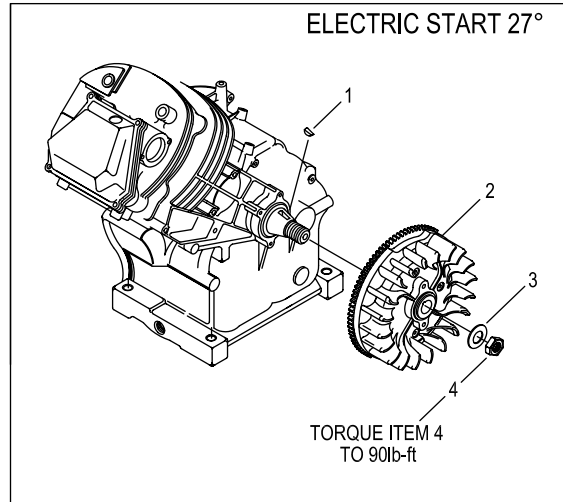
EXPLODED VIEW: GP 7000E PORTABLE			GENERAC POWER SYSTEMS P.O. BOX 8 WAUKESHA, WIS. 53186	
DRAWN BY:	DREW	DATE:	9/9/08	FIRST USE:
CHECKED BY:	K MAHAN	DATE:	9/11/08	PART NO.:
APPROVED BY:	PDW	DATE:	9/11/08	REV.:
RELEASED FOR PRODUCTION BY:	PETER WINNIE	DATE:	9/11/08	0G9384E
				E

# OIL FILTER OPTION ENGINE PRODUCTION LEVEL 2E



<b>ITEM</b>	<b>PART #</b>	<b>QTY.</b>	<b>DESCRIPTION</b>
1	086999	1	GASKET, OIL FILTER ADAPTOR
2	0D5667	1	ADAPTOR, OIL FILTER NO TAPPED HOLES
3	049821	2	SCREW, SHC MB-1.25 X 30 G12.9
4	0D9235	1	SWITCH, HOBBS OIL PRESSURE 5PSI
5	070185D	1	FILTER OIL 75MM NO LOGO
6	087858N	1	ASSEMBLY, WIRE #0 - 4.5" LONG
7	036916	2	SCREW PPHM#8-32 X 1/4

FLYWHEEL OPTION  
ENGINE PRODUCTION LEVEL 10E



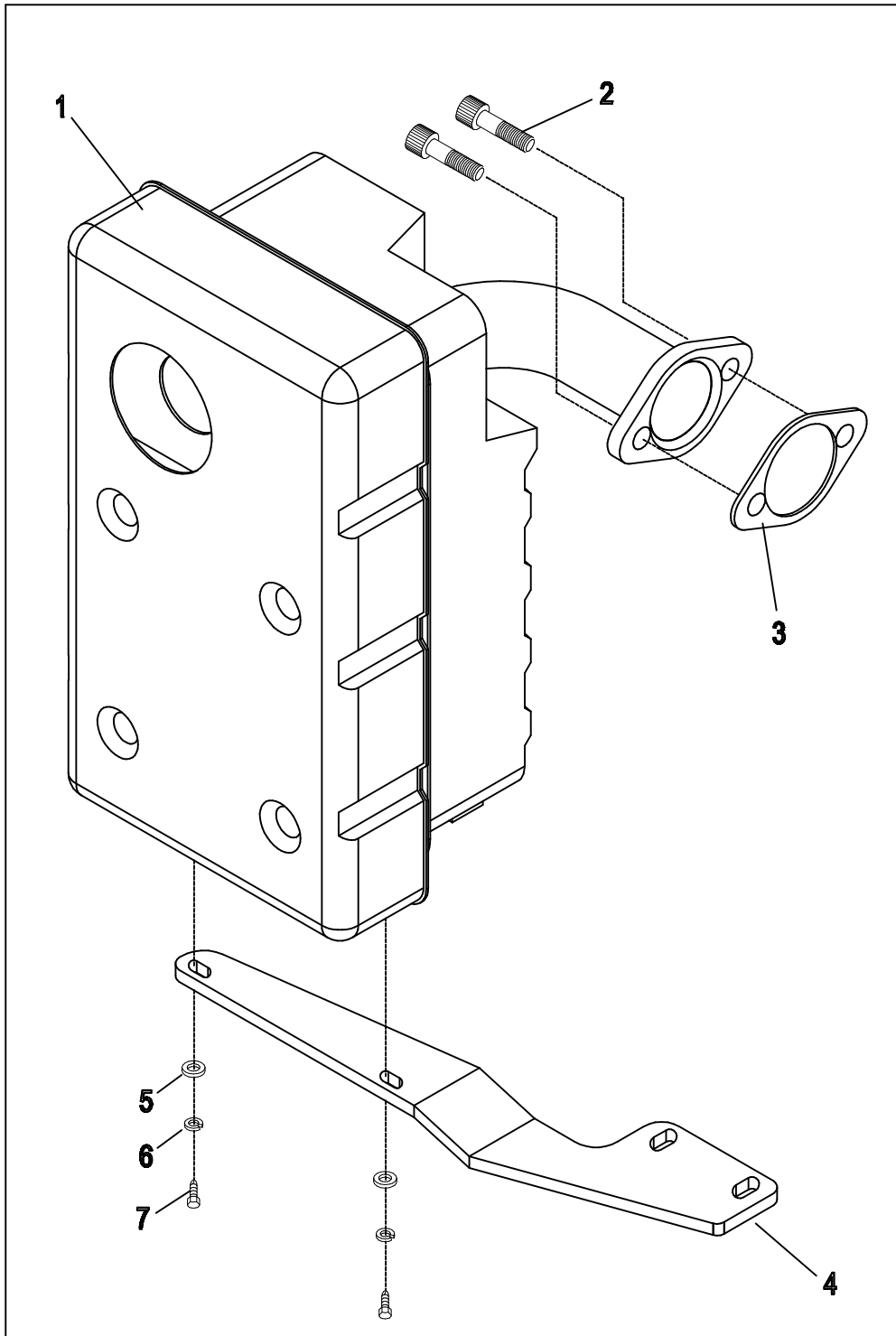


1	082774	1	KEY, WOODRUFF 4 x 19D
2	091222C	1	ASSY, FLYWHEEL W/RING GEAR 27 DEGREE
3	067198N	1	WASHER, BELV-20 X 2.2
4	067890	1	NUT, HEX – FLYWHEEL



APPLICABLE TO:

MUFFLER OPTION  
ENGINE PRODUCTION LEVEL 9E



**EXPLODED VIEW: MUFFLER, 410 SIDE OUT  
DRAWING #: 0E5081 REV. B**

**GROUP**

**APPLICABLE TO:**

<b>ITEM</b>	<b>PART #</b>	<b>QTY.</b>	<b>DESCRIPTION</b>
1	0E5223A	1	MUFFLER, 410 SIDE-OUT ALUMINIZED
2	0G3730	2	SCREW SHC M8-1.25 X 20 SEMS
3	090239	1	GASKET, EXHAUST
4	0E6047	1	BRACKET, GH410 MUFFLER SUPPORT
5	022473	2	WASHER FLAT ¼ - M6 ZINC
6	022097	2	WASHER LOCK M6 - ¼
7	043146	2	SCREW HHC M6-1.0 X 10 G8.8