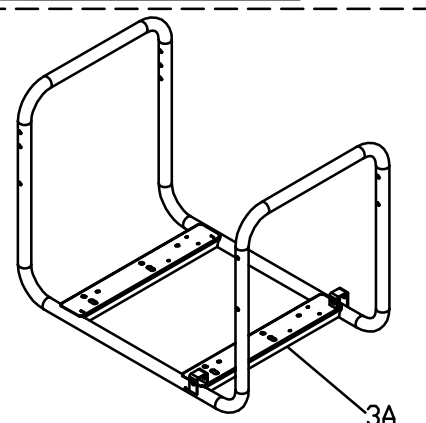
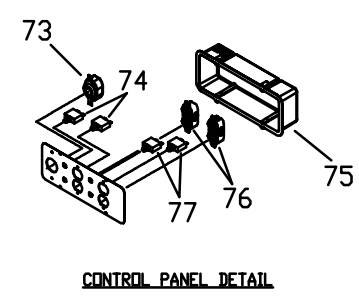


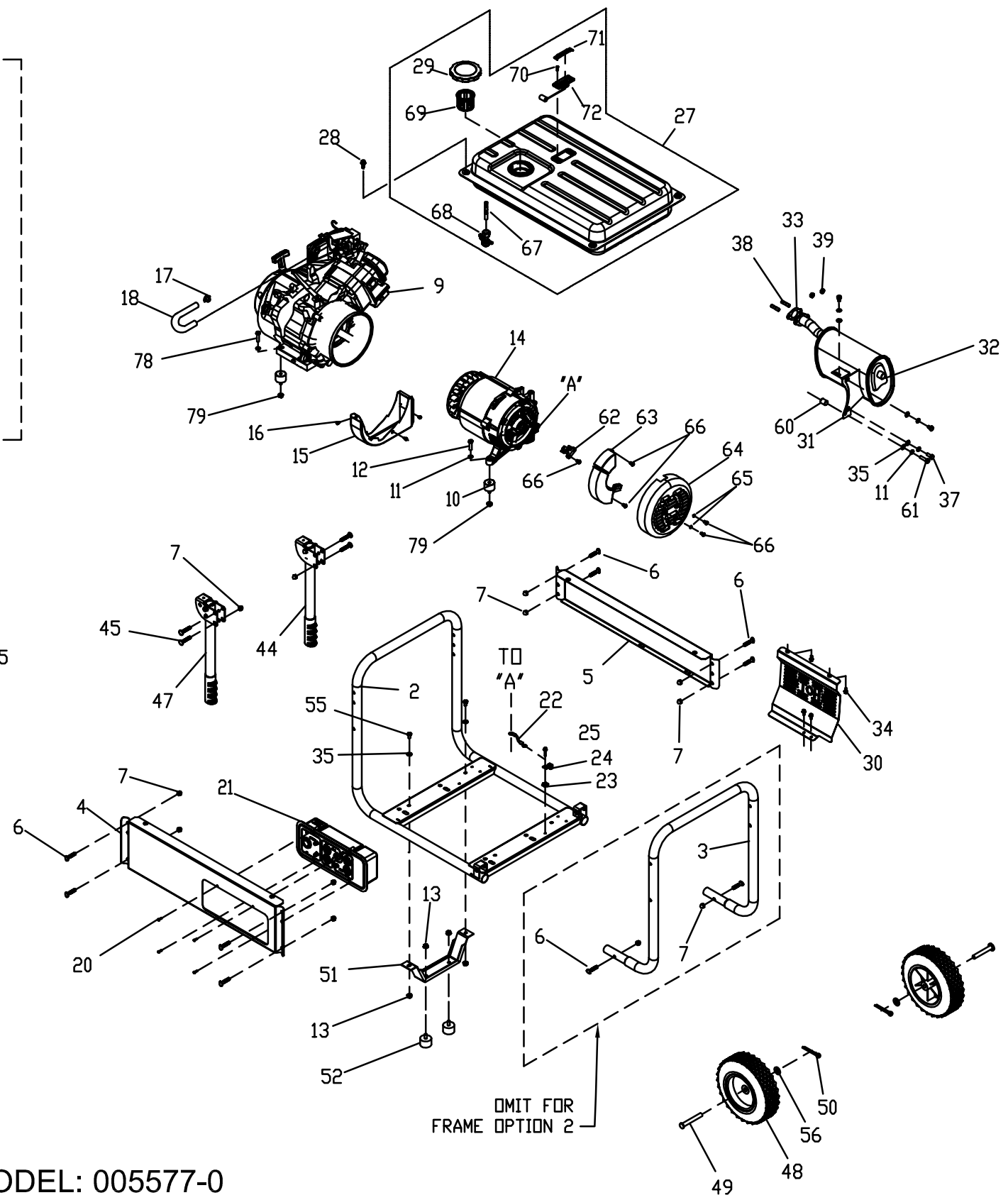
PART NO. 0H1256



FRAME OPTION 2
 1. USE ITEM 3A
 2. OMIT QTY 2 OF ITEM 6 & 7



CONTROL PANEL DETAIL



OMIT FOR
 FRAME
 OPTION 2

ITEM	PART #	QTY.	DESCRIPTION	ITEM	PART #	QTY.	DESCRIPTION
2	0H0168	1	ASSEMBLY, CRADLE	56	022304	2	WASHER, FLAT 1/2"
3	0G8326	1	CRADLE END	60	052210	1	SPACER, 0.34 X 0.62 X 0.59
3A	0H1792	1	ASSEMBLY, FRAME 1-PIECE	61	039253	4	SCREW, HHC M8-1.25 X 20
4	0G8327	1	PANEL RAIL	62	0G9890103	1	BRUSH-ALTERNATOR
5	0G8328	1	BACK RAIL	63	0G9890101	1	AIR FOR ALTERNATOR 0G9899
6	0H1780	10	CURVED HEAD BOLT M8-1.25 X 42mm LONG	64	0H3049	1	COVER, ALTERNATOR INLET
7	0H1782	12	CAP NUT LOCKING M8-1.25	65	049226	2	WASHER, LOCK M5
9	0G8442	1	ENGINE, 389cc W/OUT MUFFLER	66	091526	5	SCREW, PPHM M5-0.8 X 12
10	0H1783	4	VIB MOUNT RUBBER 35mm X 25.4mm X M8-1.25	67	0H1613	1	FILTER, FUEL VALVE
11	022129	4	WASHER, LOCK M8-5/16	68	0H1684	1	VALVE, FUEL SHUTOFF
12	042909	2	SCREW, HHC M8-1.25 X 30mm LONG	69	0H1326	1	STRAINER, FUEL CAP
13	052858	4	NUT, LOCK FLANGE M8-1.25	70	0H1357	2	SCREW, PPHM M5-0.8 X 12
14	0G8999	1	ALTERNATOR, 5000W BRUSH TYPE	71	0H1359	1	FLATE, FUEL GAGE
15	0G8654	1	SCROLL, ALTERNATOR	72	0H1345A	1	FUEL GAGE, 90MM LONG ARM
16	0E5846	3	SCREW, HHC M5-0.8 X 8	73	0G9758	1	OUTLET, 3/8A 120/250V SPCGRD
17	0C7849	1	CLAMP, HOSE 0.38-0.87	74	0H0265D	2	CB, 25A 1P 120V CULCSA
18	0G8757	1	FUEL HOSE, 4 I.D X 8.5 O.D X 120mm	75	0G9756	1	RECEPTACLE PANEL
20	0G8392	4	SCREW, PPHM 16 X 1/2"	76	0G9507	2	OUTLET, 2 0A 120V
21	0G9776C	1	ASSY, RECEPTACLE PANEL 25A	77	0H0265C	2	CB, 20A 1P 120V CULCSA
22	0G8753C	1	ASSY, GROUND WIRE ALTERNATOR TO BASE	78	039414	2	SCREW HHC M8-1.25 X 35 C88
23	0A1658	1	WASHER, LOCK SPECIAL 1/2"	79	067989	4	NUT HEX FL WHIZ M8-1.25
24	055414	1	LUG, SOLDERLESS #2-#8 X 17/64				
25	092079	1	SCREW, HHT M6-1.0 X 25				
27	0G8430	1	ASSEMBLY, FUEL TANK 6.6 GALLON				
28	0G5445	4	SCREW, HHT M8-1.25 X 20				
29	0H1325A	1	FUEL CAP, VENTED				
30	0G8713	1	HEAT SHIELD SKU 5-5.5KW				
31	0G8542	1	BRACKET, MUFFLER 389cc				
32	0G8543	1	MUFFLER, 389cc				
33	0G8028	1	GASKET, MUFFLER				
34	090368	4	SCREW, HHT M6-1.0 X 12				
35	022145	4	WASHER, FLAT 5/16-M8				
36	022129	4	WASHER, LOCK M8-5/16				
37	039253	3	SCREW, HHC M8-1.25 X 20				
38	045761M	2	STUD, M8-1.25 X 35				
39	045771	2	HEX NUT M8-1.25				
44	0G1828A	1	ASSEMBLY, HANDLE LEFT HAND				
45	0H1781	4	CARRIAGE HEAD BOLT M8-1.25 X 46mm LONG				
47	0H1832A	1	ASSEMBLY, HANDLE RIGHT HAND				
48	0G8651	1	TIRE, 9.5" DIA RUN FLAT PLASTIC/RUBBER				
49	0H0204	2	AXLE PIN, 1/2" X 4"				
50	0D4999	2	COTTER PIN, 18" X 1-1/4"				
51	0H1114	1	BENT FOOT FRAME				
52	0H1829	2	RUBBER FOOT, M8-1.25				
55	042907	2	SCREW, HHC M8-1.25 X 16				

E.C.O.	REV.	DATE
---	A	10/22/08
H-3449	B	11/06/08
H-3690	C	1/19/09
H-3969	D	2/18/09
H-3946	E	4/07/09
H-4716	F	7/30/09
H-6317	G	03/25/10

MODEL: 005577-0
 CENTURION 5.0kW PULL START

DO NOT SCALE

GROUPEV

EXPLODED VIEW:		CENT 5.0KW PORTABLE		GENERAC POWER SYSTEMS	
DRAWN BY:	KNM	DATE:	10/22/08	P.O. BOX 8 WAUKESHA, WIS. 53186	
CHECKED BY:	DMC	DATE:	10/29/08	FIRST USE:	5577-0
APPROVED BY:	SS	DATE:	10/29/08	PART NO.:	0H1256
RELEASED FOR PRODUCTION BY:	SAEID SHOKRZADEH	DATE:	10/29/08	REV.:	G