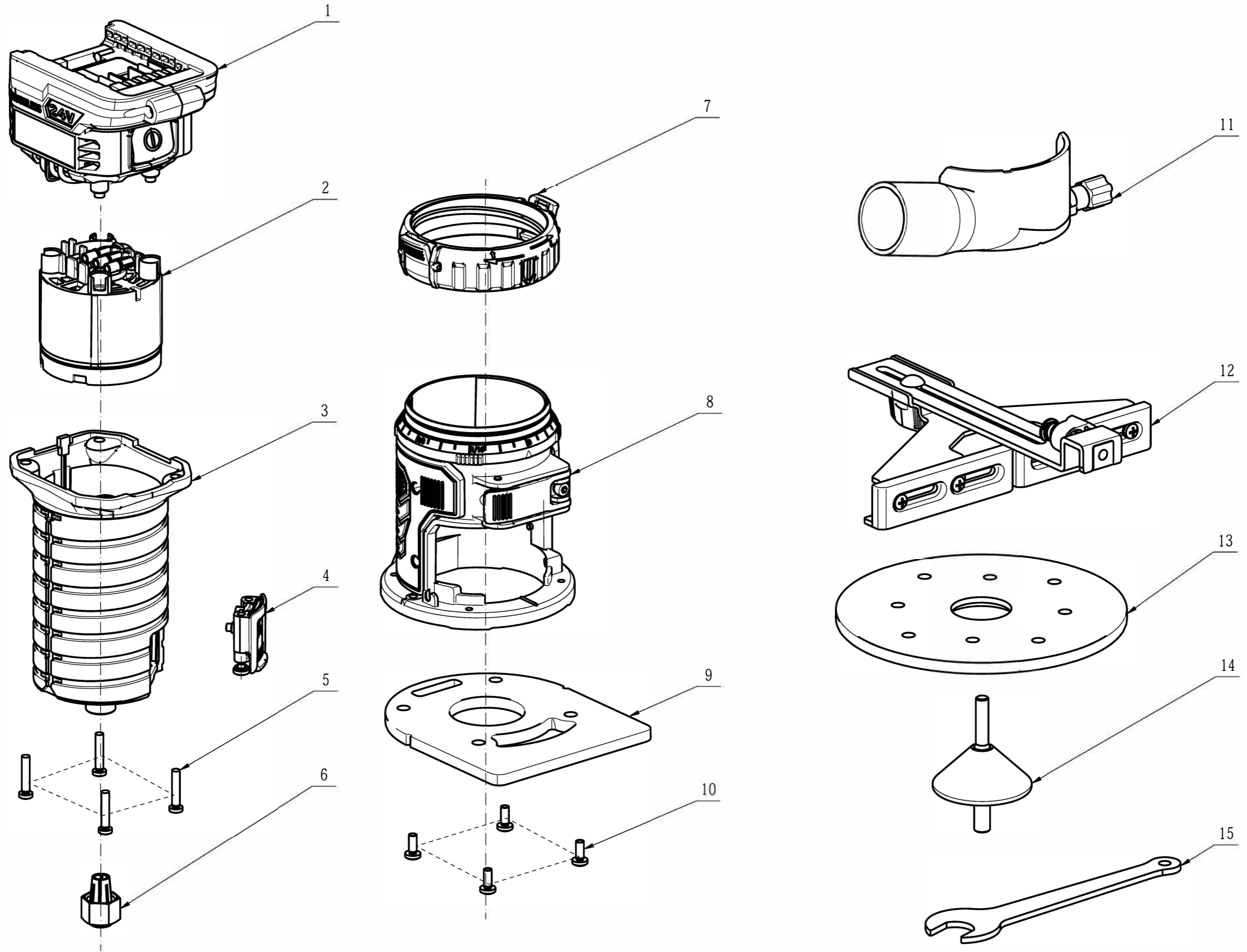


FLEX[®]



No.	Product Model#	Part Number	Description	Qty
1	FX4221-Z	2850288001	Control Assembly	1
2	FX4221-Z	2850287001	Stator Assembly	1
3	FX4221-Z	2850286001	Motor Housing Assembly	1
4	FX4221-Z	2850285001	Spindle Lock Assembly	1
5	FX4221-Z	5610248003	Tapping Screw	4
6	FX4221-Z	3860225001	Collet Assembly	1
7	FX4221-Z	2829454001	Depth Adjusting Set	1
8	FX4221-Z	2850284001	Base Assembly	1
9	FX4221-Z	3133958001	Base Plate	1
10	FX4221-Z	5620039007	Screw	4
11	FX4221-Z	2829452001	Vacuum Adapter Assembl	1
12	FX4221-Z	2829453001	Guide Fence Assembly	1
13	FX4221-Z	3133957001	Base Plate	1
14	FX4221-Z	2829660001	Center Cone	1
15	FX4221-Z	3700641001	Wrench	1