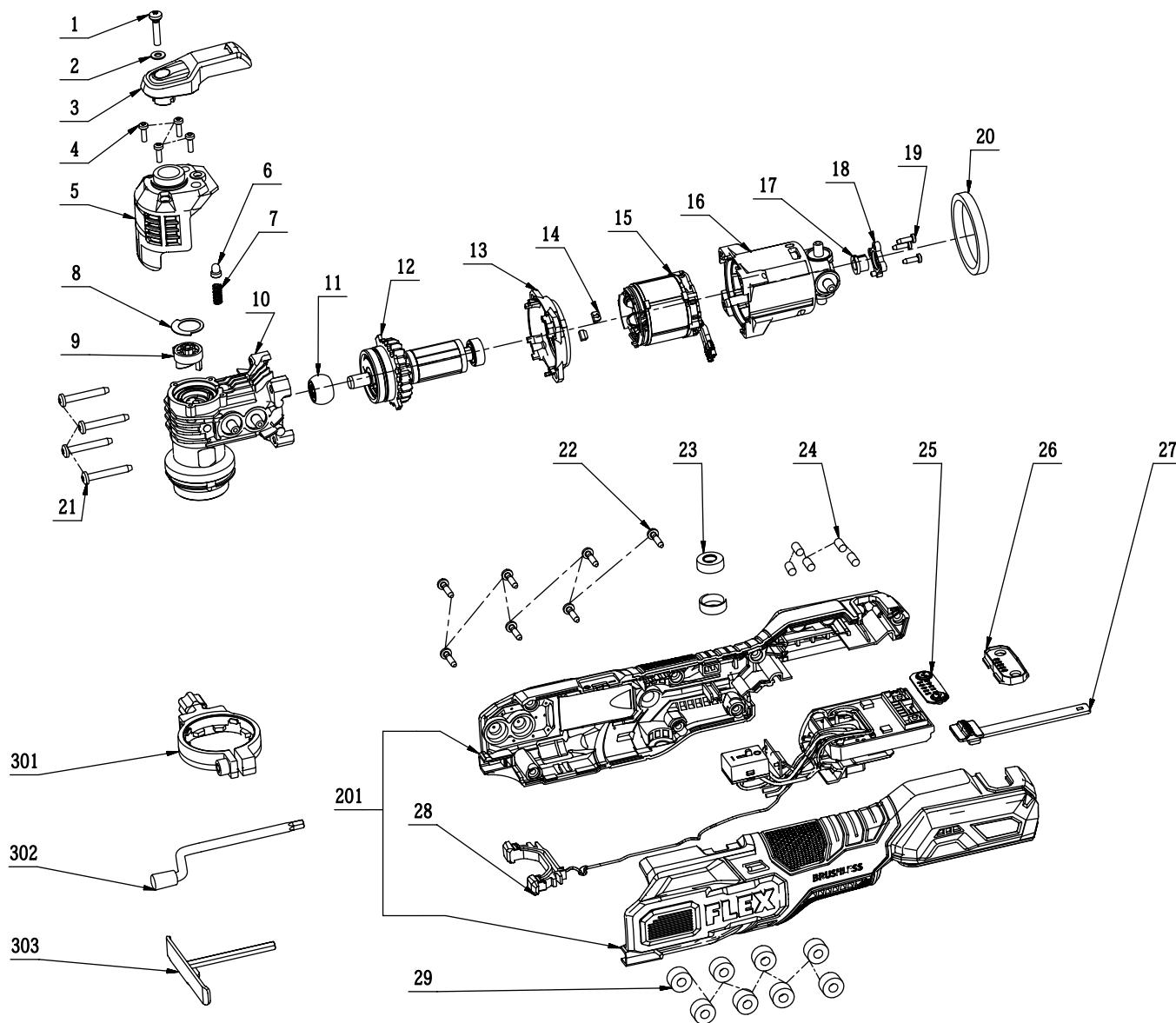


# FLEX



No.	Product Model#	Part Number	Description	Qty
1	FX4111-Z	5620450002	Pan Head Screw	1
2	FX4111-Z	5650005001	Plain Washer	1
3	FX4111-Z	3403224001	Quick Chuck Lever	1
4	FX4111-Z	5620683001	Hexagon Socket Screw	4
5	FX4111-Z	3131543001	Case Cover	1
6	FX4111-Z	5670297001	Location Convex Cap	1
7	FX4111-Z	3660345001	Compression Spring	1
8	FX4111-Z	5650399001	Prevent Washer	1
9	FX4111-Z	3422878001	Cam	1
10	FX4111-Z	2827768001	Gear Case Assembly	1
11	FX4111-Z	5700253001	Ball Bushing	1
12	FX4111-Z	2827798001	Motor Assembly	1
13	FX4111-Z	3131545001	Fan Baffle	1
14	FX4111-Z	3131569001	Rubber Block	2
15	FX4111-Z	2740319001	Stator	1
17	FX4111-Z	3131568001	Cord Guard	1
18	FX4111-Z	3131567001	Wire Clamp	1
19	FX4111-Z	5610011001	Tapping Screw	3
20	FX4111-Z	3705652001	Sponge Pad With Glue	1
21	FX4111-Z	5610276001	Hexagon Lobular Tapping Screw	4
22	FX4111-Z	5610225002	Hexagon Lobuar Screw	7
23	FX4111-Z	3131563001	Protective Cover	2
24	FX4111-Z	3123928001	Rubber Pole	5
25	FX4111-Z	3707502002	Indicator Label	1
26	FX4111-Z	3131280001	Switch Button Cover	1
27	FX4111-Z	3131544001	Switch Actuator	1
28	FX4111-Z	2830914001	Electric Assembly	1
29	FX4111-Z	3580157001	Sponge Ring	8
201	FX4111-Z	3900387001	L R Housing Set	1
301	FX4111-Z	2827793001	Clamp Assembly	1
302	FX4111-Z	2827792001	Depth Locator Assembly	1
303	FX4111-Z	2827758001	Guide Fence Assembly	1