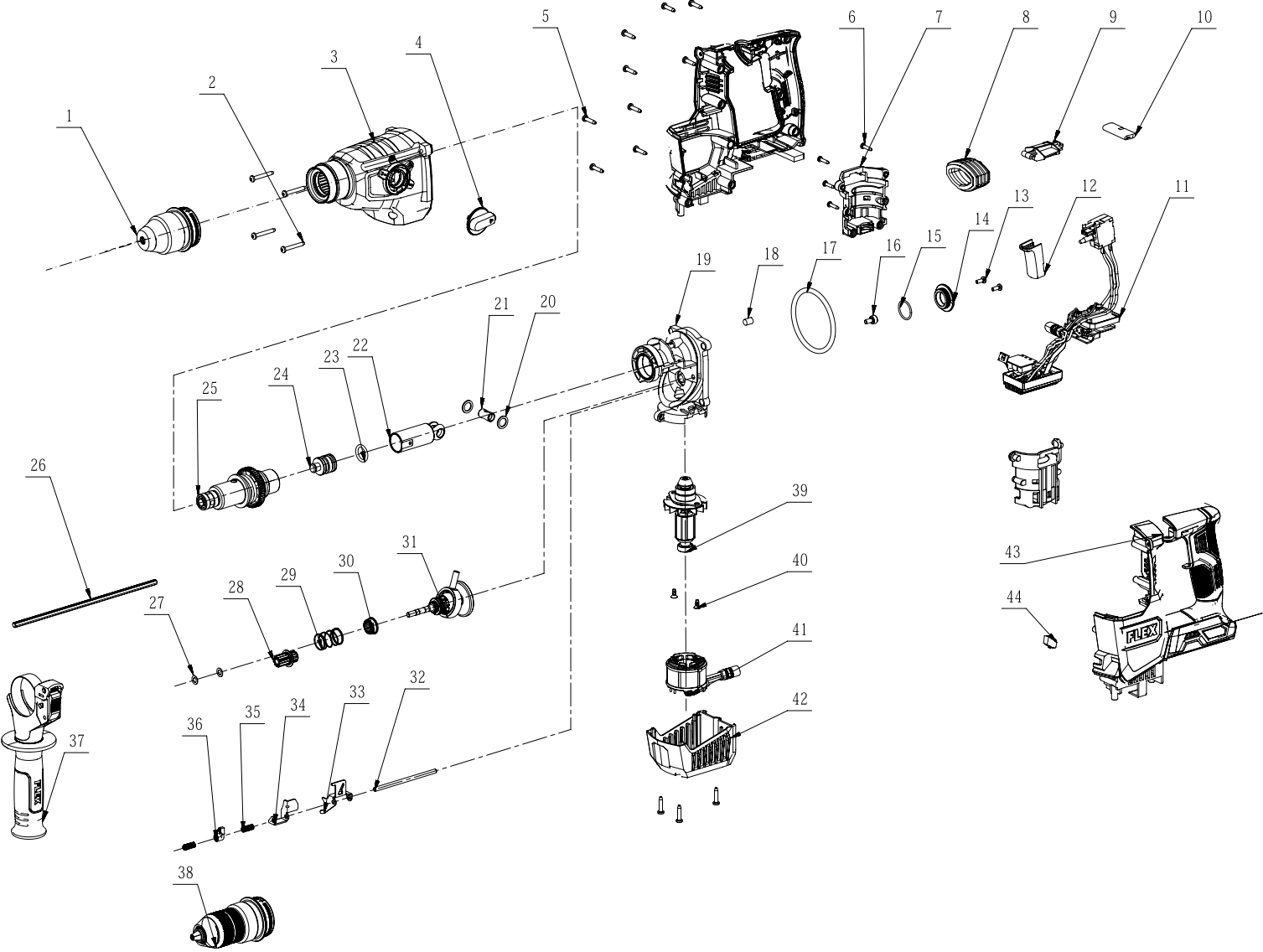


FLEX



No.	Product Model#	Part Number	Description	Qty
1	FX1551A-Z	2823398002	Tool Holder Assy	1
2	FX1551A-Z	5620169004	Tapping Screw	4
3	FX1551A-Z	2825773001	Front Gear Housing ASSY	1
4	FX1551A-Z	3132622001	Knob Assembly	1
5	FX1551A-Z	5620157006	Hexagon Socket Screw	13
6	FX1551A-Z	5610024003	Tapping Screw	6
7	FX1551A-Z	3900251001	L R Housing Set	1
8	FX1551A-Z	3126619001	Bellows Seal	1
9	FX1551A-Z	3130046001	Connecting Lever	1
10	FX1551A-Z	3127856001	Shift Lever	1
11	FX1551A-Z	2830797001	Electric Assembly	1
12	FX1551A-Z	3127717001	Switch Trigger	1
13	FX1551A-Z	5620039002	Screw	2
14	FX1551A-Z	3553098001	Rear Cover	1
15	FX1551A-Z	5690347001	O Ring	1
16	FX1551A-Z	5620666001	Hexagon Socket Screw	1
17	FX1551A-Z	5690403001	O Ring	1
18	FX1551A-Z	3704931001	Felt Block	1
19	FX1551A-Z	2825771001	Gear Case ASSY	1
20	FX1551A-Z	5650676001	Plain Washer	2
21	FX1551A-Z	3553045001	Rod Bush	1
22	FX1551A-Z	3552982001	Cylinder	1
23	FX1551A-Z	5690421001	O Ring	1
24	FX1551A-Z	3552983001	Percussion Hammer	1
25	FX1551A-Z	2823397001	Spindle Bush Assy	1
26	FX1551A-Z	3551688001	Depth Stop	1
27	FX1551A-Z	5650290001	Washer	2
28	FX1551A-Z	2828436001	Gear Unit	1
29	FX1551A-Z	3660477001	Compression Spring	1
30	FX1551A-Z	3520572001	Clutch	1
31	FX1551A-Z	2825774001	Middle Shaft ASSY	1
32	FX1551A-Z	3551658001	Plunger	1
33	FX1551A-Z	3706623001	Push Plate	1
34	FX1551A-Z	3706624001	Push Plate	1
35	FX1551A-Z	3660481001	Compression Spring	2
36	FX1551A-Z	3520576001	Lock Block	1
37	FX1551A-Z	2824232001	Auxiliary Handle ASSY	1
38	FX1551A-Z	2825713001	Spindle ASSY	1
39	FX1551A-Z	2826136001	Rotor Assembly	1
40	FX1551A-Z	5610260001	Thread Forming Screw	2
41	FX1551A-Z	2740518002	Stator	1
42	FX1551A-Z	3130155001	Cover	1
43	FX1551A-Z	3900347001	L R Housing Set	1
44	FX1551A-Z	3123822001	Transparent Cap	1