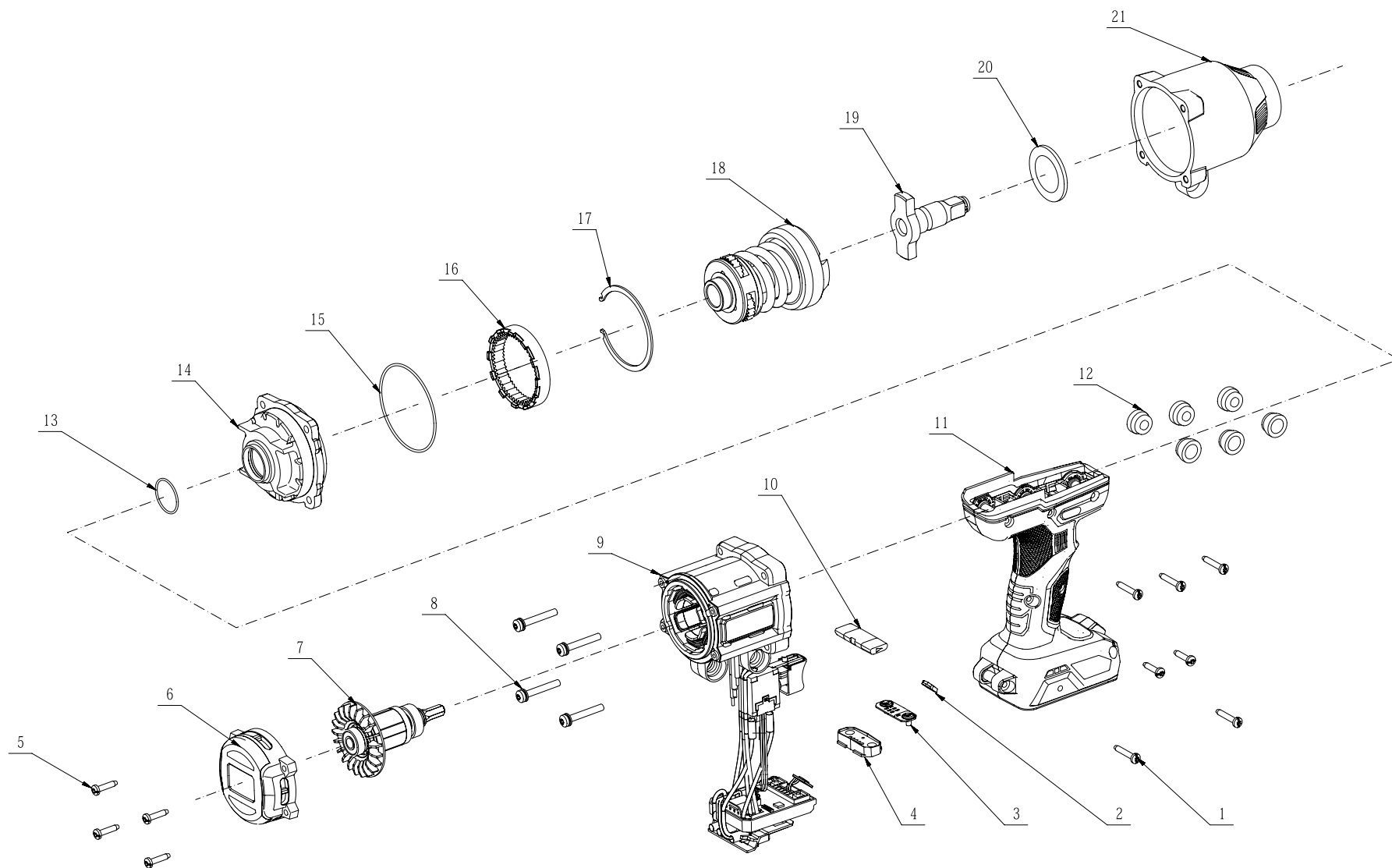


# FLEX



No.	Product Model#	Part Number	Description	Qty
1	FX1471-Z	5620454003	Tapping Screw	5
2	FX1471-Z	3127733001	LED Cover	1
3	FX1471-Z	3707606001	Indicator Label	1
4	FX1471-Z	3131419001	Switch Button Cover	1
5	FX1471-Z	5620453003	Tapping Screw	6
6	FX1471-Z	3322945001	Rear Cover	1
7	FX1471-Z	2826221004	Rotor Set	1
8	FX1471-Z	5620704001	Screw and Washer	4
9	FX1471-Z	2828394001	Stator and Electronic Components	1
10	FX1471-Z	3130170001	F/R Button	1
11	FX1471-Z	2827527002	L R Handle Set	1
12	FX1471-Z	3128071001	Rubber Gasket	6
13	FX1471-Z	5690423001	O Ring	1
14	FX1471-Z	2826224003	Rear Gear Housing ASSY	1
15	FX1471-Z	5690424001	O Ring	1
16	FX1471-Z	3521138001	Ring Gear	1
17	FX1471-Z	5660271001	Circlip for Hole	1
18	FX1471-Z	2827522002	Impact Block Assembly	1
19	FX1471-Z	2827801002	Output Shaft Assembly	1
20	FX1471-Z	5650698001	Plain Washer	1
21	FX1471-Z	2827523002	Front Gear Housing Assembly	1