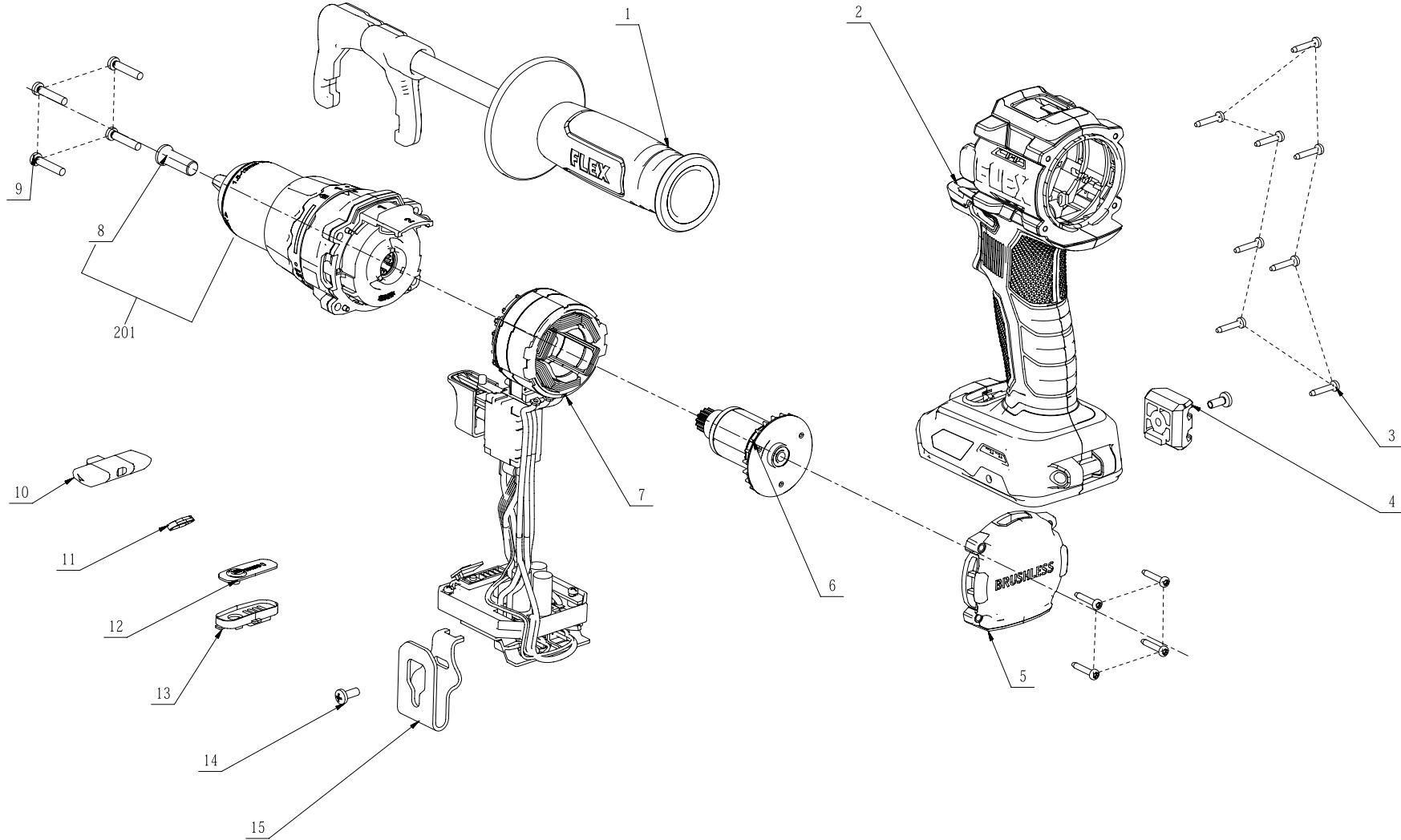


FLEX



| No. | Product Model# | Part Number | Description | Qty |
|-----|----------------|-------------|---|-----|
| 1 | FX1171T | 2827543002 | Auxiliary Handle Assembly | 1 |
| 2 | FX1171T | 2827567002 | L R Housing Set | 1 |
| 3 | FX1171T | 5610241002 | Screw | 12 |
| 4 | FX1171T | 3127743001 | Bit Holder | 1 |
| 5 | FX1171T | 3322885001 | Rear Cover | 1 |
| 6 | FX1171T | 2751339002 | Rotor Set | 1 |
| 7 | FX1171T | 2827806002 | Stator and Electronic Components | 1 |
| 9 | FX1171T | 5610248003 | Tapping Screw | 4 |
| 10 | FX1171T | 3131367001 | F/R Button | 1 |
| 11 | FX1171T | 3127733001 | LED Cover | 1 |
| 12 | FX1171T | 3707607001 | Indicator Label | 1 |
| 13 | FX1171T | 3131420001 | Switch Button Cover | 1 |
| 14 | FX1171T | 5620039010 | Screw | 2 |
| 15 | FX1171T | 3707622001 | Buckle | 1 |
| 201 | FX1171T | 2828456001 | Gear Box and Chuck Assembly | 1 |
| 8 | FX1171T | 5610400001 | Hexalobular Socket Raised Countersunk Head Screw | 1 |