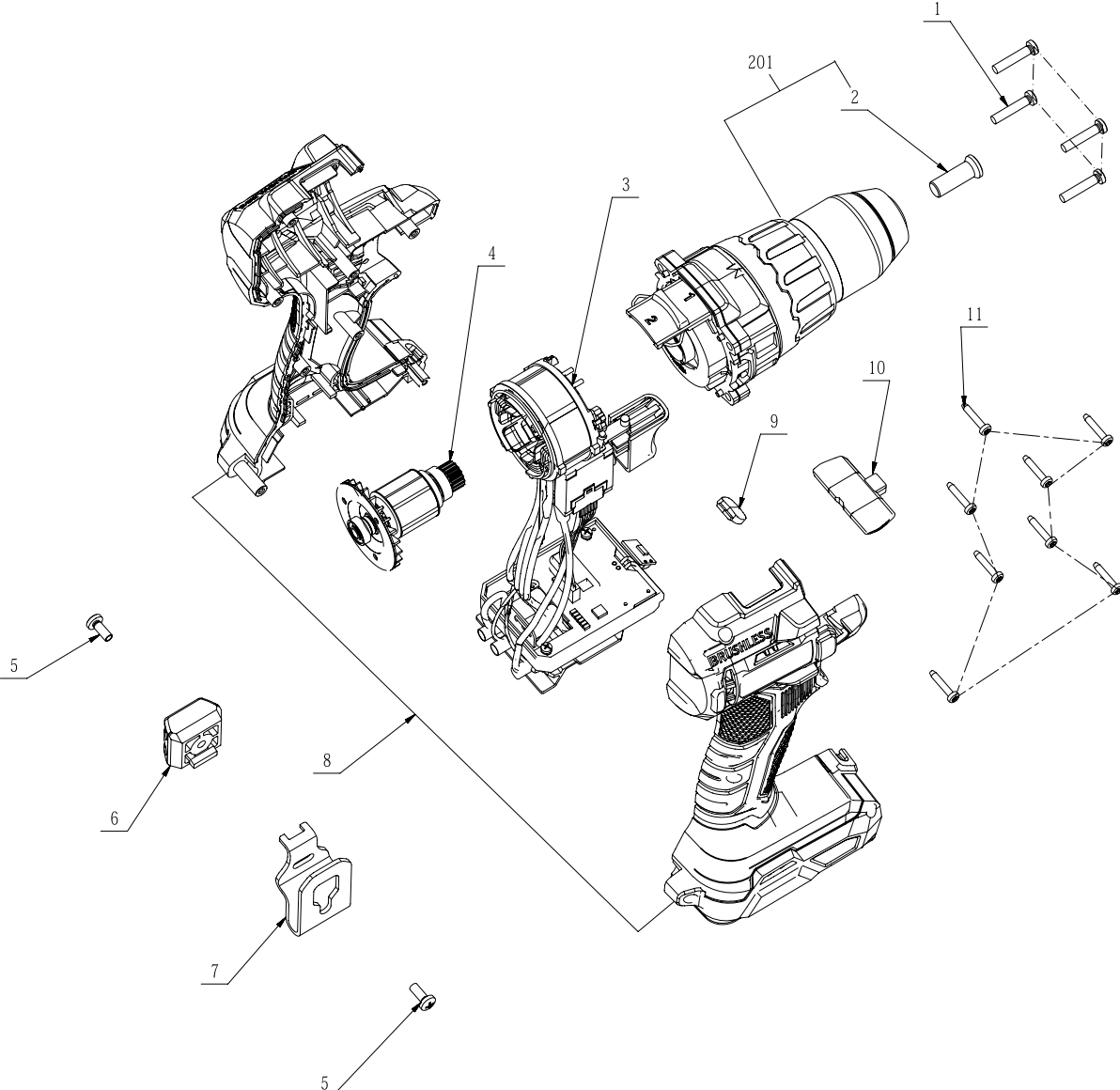


FLEX



No.	Product Model#	Part Number	Description	Qty
1	FX1151-Z	5610248003	Tapping Screw	4
3	FX1151-Z	2823607002	Stator and Electronic Components	1
4	FX1151-Z	2751035002	Rotor Set	1
5	FX1151-Z	5620039010	Screw	2
6	FX1151-Z	3127743001	Bit Holder	1
7	FX1151-Z	3707622001	Buckle	1
8	FX1151-Z	2827518002	L R Housing Set	1
9	FX1151-Z	3127733001	LED Cover	1
10	FX1151-Z	3131367001	F/R Button	1
11	FX1151-Z	5610241002	Screw	8
201	FX1151-Z	2828350001	Gear Box and Chuck Assembly	1
2	FX1151-Z	5610400001	Hexalobular Socket Raised Countersunk Head Screw	1