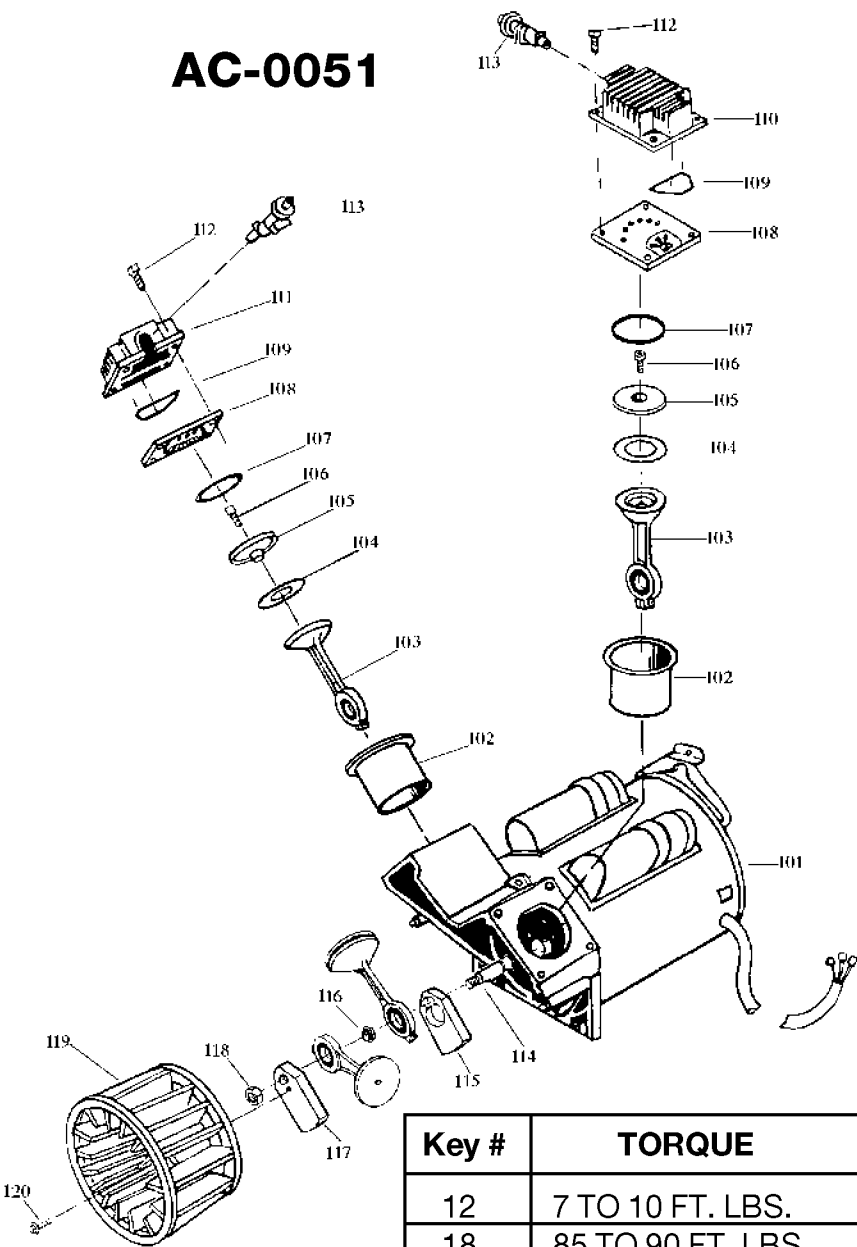
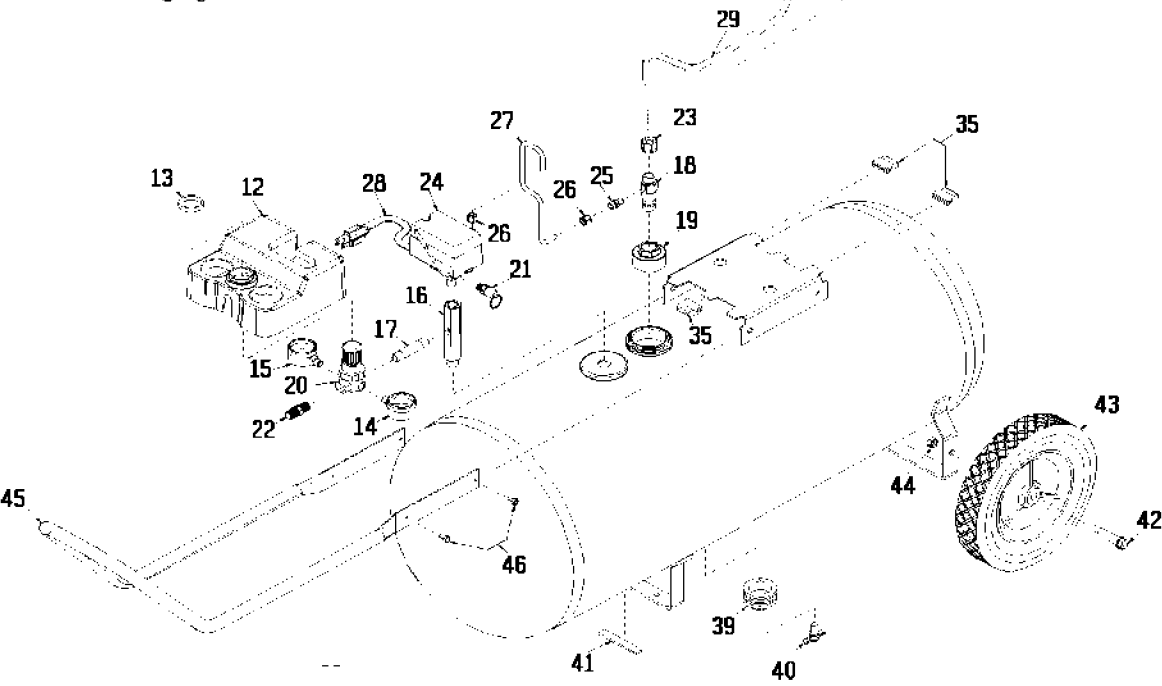
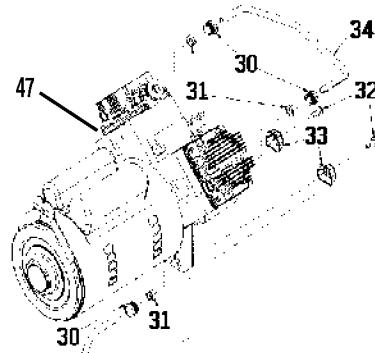
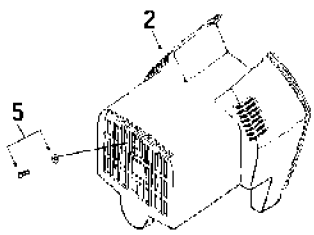
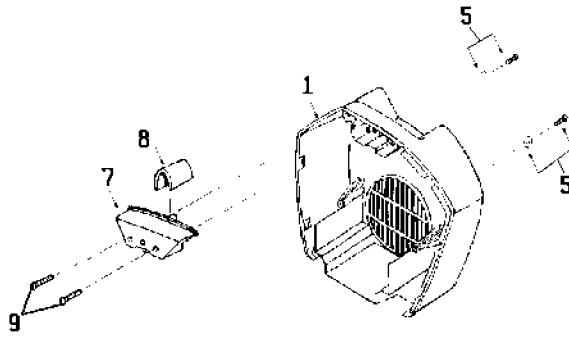


AC-0051



Key #	TORQUE
12	7 TO 10 FT. LBS.
18	85 TO 90 FT. LBS.
20	75 TO 90 IN. LBS.
* TORQUE WRENCH MUST BE USED	



Parts List for FTV530 Type 1

Item Number	Part Number	Description	Qty Required
1	DAC-244	SHROUD FRONT TWIN CY	1
2	DAC-243	SHROUD REAR TWIN CYL	1
5	ACG-408	ASSY FASTENER	1
7	ACG-13	COVER INTAKE MUFFLER	1
8	ACG-12	ELEMENT FILTER INTAK	1
9	SSF-554	SCREW #10-14X2.50 PA	1
12	000000-00	No Longer Available	1
13	CAC-61	RING PANEL MOUNTING	1
14	AC-0009-1	GAUGE RIGHT HAND	1
15	Z-AC-0010-1	GAUGE LEFT HAND	1
16	AC-0027-2	STANDPIPE BRASS MALE	1
17	SSP-480	NIPPLE 1/4-18 NPT X	1
18	A19711	VALVE CHECK 1/2NPT X	1
19	000000-00	No Longer Available	1
20	AC-0007	REGULATOR 4PORT P1P2	1
21	97503734	VALVE SAFETY 150 .12	1
22	D26889	ADAPTER .25 NPT X .2	1
23	SSP-7813	ASSY NUT SLEEVE 3/8	1
24	5140112-18	PRESSURE SWITCH	1
25	SS-8553	CONNECTOR BODY	1
26	SSP-7811	ASSY NUT SLEEVE 1/4	1
27	AC-0028	TUBE PRES REL .250OD	1
28	SUDL-415-1	ASSY CORD POWER ST	1
29	AC-0126	TUBE OUTLET .375OD A	1
30	SSP-7821-1	NUT .563-18 UNF HEX	3
31	SSG-3105	ORING 306/296ID 073/	1
32	SSF-990	SCREW .250-20X1.25 U	2

Parts List for FTV530 Type 1

Item Number	Part Number	Description	Qty Required
33	ACG-18	CUP SADDLE MOUNT	1
34	AC-0099	TUBE OUTLET .375OD A	1
35	ACG-19	ISOLATOR 3 POINT MOU	1
39	000000-00	No Longer Available	1
40	N286039	DRAIN VALVE	1
41	SUDL-6-1	STRIP RUBBER FOOT	1
42	CAC-60	BOLT .375-16X2.25 UN	2
43	000000-00	No Longer Available	2
44	SSF-8080-ZN	NUT .375-16 UNC-2B H	2
45	000000-00	No Longer Available	1
46	SSF-981	SCREW .250-14X.500 H	4
47	000000-00	No Longer Available	1
101	000000-00	No Longer Available	1
102	A02743	KIT CONNECTING ROD	1
103	A02743	KIT CONNECTING ROD	1
104	A02743	KIT CONNECTING ROD	1
105	ACG-29	CAP CONNECTING ROD C	2
106	SSF-3158-1	SCREW #10-24X.750 TH	2
107	SSG-8156	ORING 2.759/2.719ID	2
108	000000-00	No Longer Available	2
109	ACG-45	ORING P/L HEAD	2
110	000000-00	No Longer Available	1
111	000000-00	No Longer Available	1
112	SSF-990	SCREW .250-20X1.25 U	8
113	ACG-11	MUFFLER INTAKE 2 CYL	2
114	ACG-8	PIN ECCENTRIC	1
115	000000-00	No Longer Available	1

Parts List for FTV530 Type 1

Item Number	Part Number	Description	Qty Required
116	ACG-9	WASHER ALIGN	1
117	000000-00	No Longer Available	1
118	ACG-23	NUT .500-20 UNF-2A H	1
119	ACG-22	FAN RADIAL 6.0 OD	1
120	39124607	SCREW .250-20X.625 H	1
856	000000-00	No Longer Available	1
856	000000-00	No Longer Available	1
856	000000-00	No Longer Available	1
856	A02743	KIT CONNECTING ROD	1
856	KK-4315	KIT VALVE REPLACEMENT	1
856	K-0650	KIT COMP RING REPLACEMENT	1