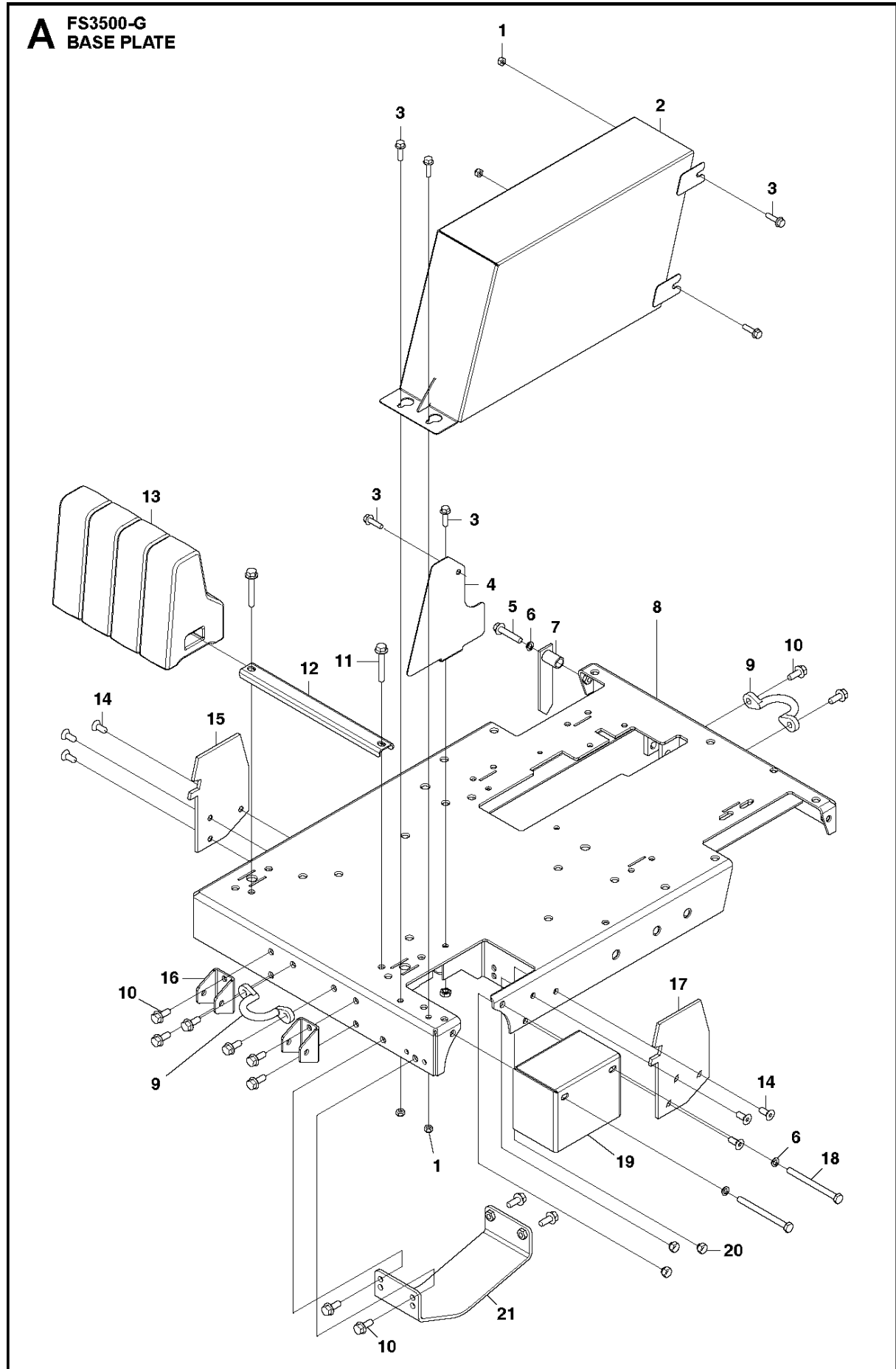




SPARE PARTS LIST

FLOOR SAWS

FS3500 G, 2016-01

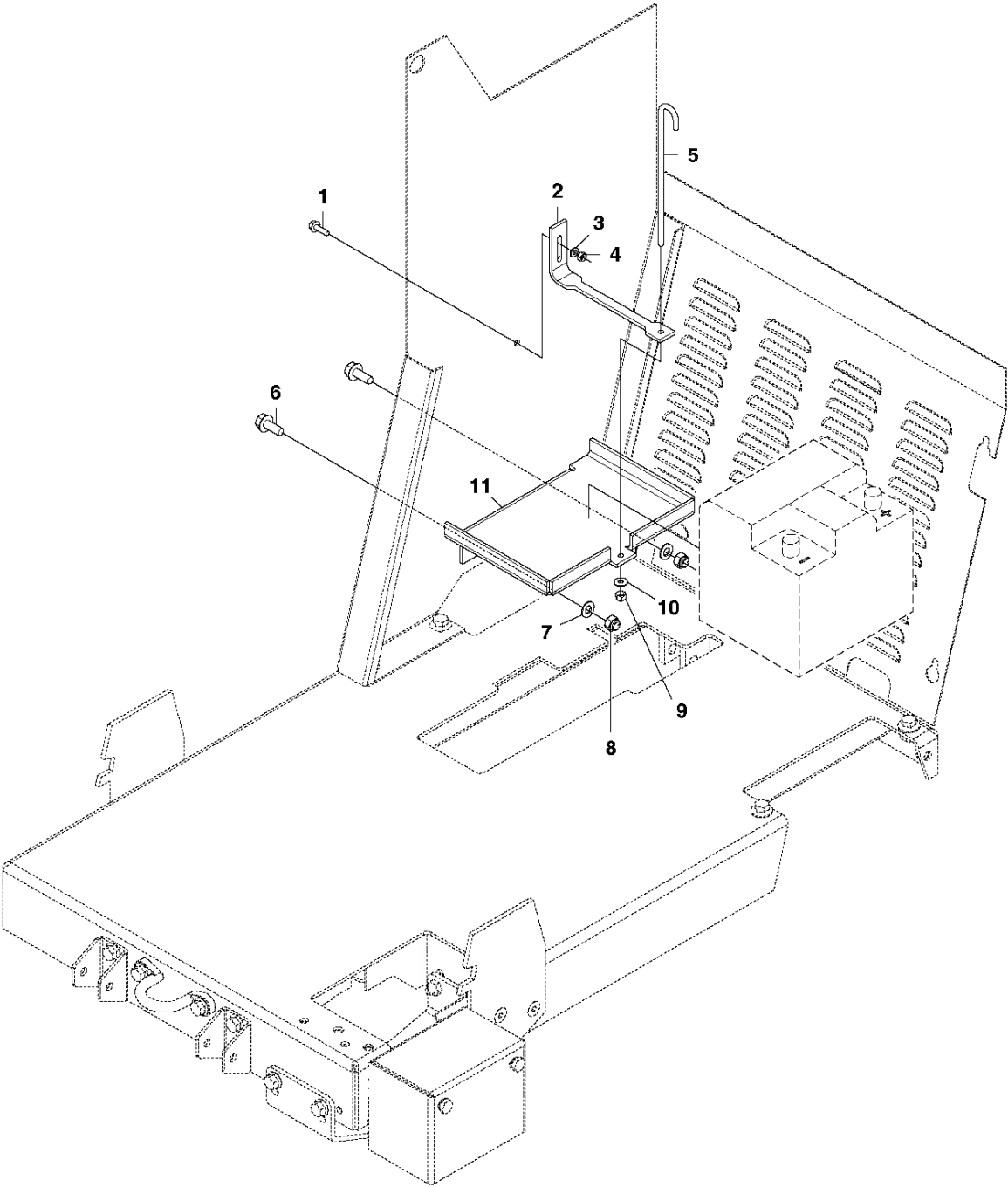


BASE PLATE

FS3500 G, 2016-01

Ref	Part No	Description	Remark	QTY KIT
1	732 25 18-01	HEXAGON LOCKING NUT		4
2	588 93 71-01	BELT GUARD		1
3	585 97 28-01	SCREW EHHFM		6
4	588 93 78-01	BRACKET		1
5	725 25 02-71	SCREW EHHM		1
6	735 11 73-01	SPRING WASHER		3
7	504 06 12-01	POINTER		1
8	588 91 53-01	BASEPLATE		1
9	504 58 03-02	LOOP		2
10	585 97 31-01	SCREW EHHFM		12
11	581 24 33-01	SCREW EHHFM		2
12	501 75 65-01	PLATE		1
13	501 74 66-01	WEIGHT		4
14	725 64 93-51	SCREW IHCSFM		6
15	542 17 62-80	RH SLIP ON SPADE - BLACK/		1
16	579 35 94-01	BRACKET		2
17	542 17 62-82	LH SLIP ON SPADE - BLACK/		1
18	725 25 15-51	SCREW EHHM		2
19	541 20 84-53	FLNG CVR.PRO35/65 NON CE H-GRY		1
20	732 25 20-01	HEXAGON LOCKING NUT		6
21	501 74 54-01	BELT GUARD	"26-30""	1
21	582 15 15-01	BELT GUARD	"20""	1

B FS3500-G
BATTERY

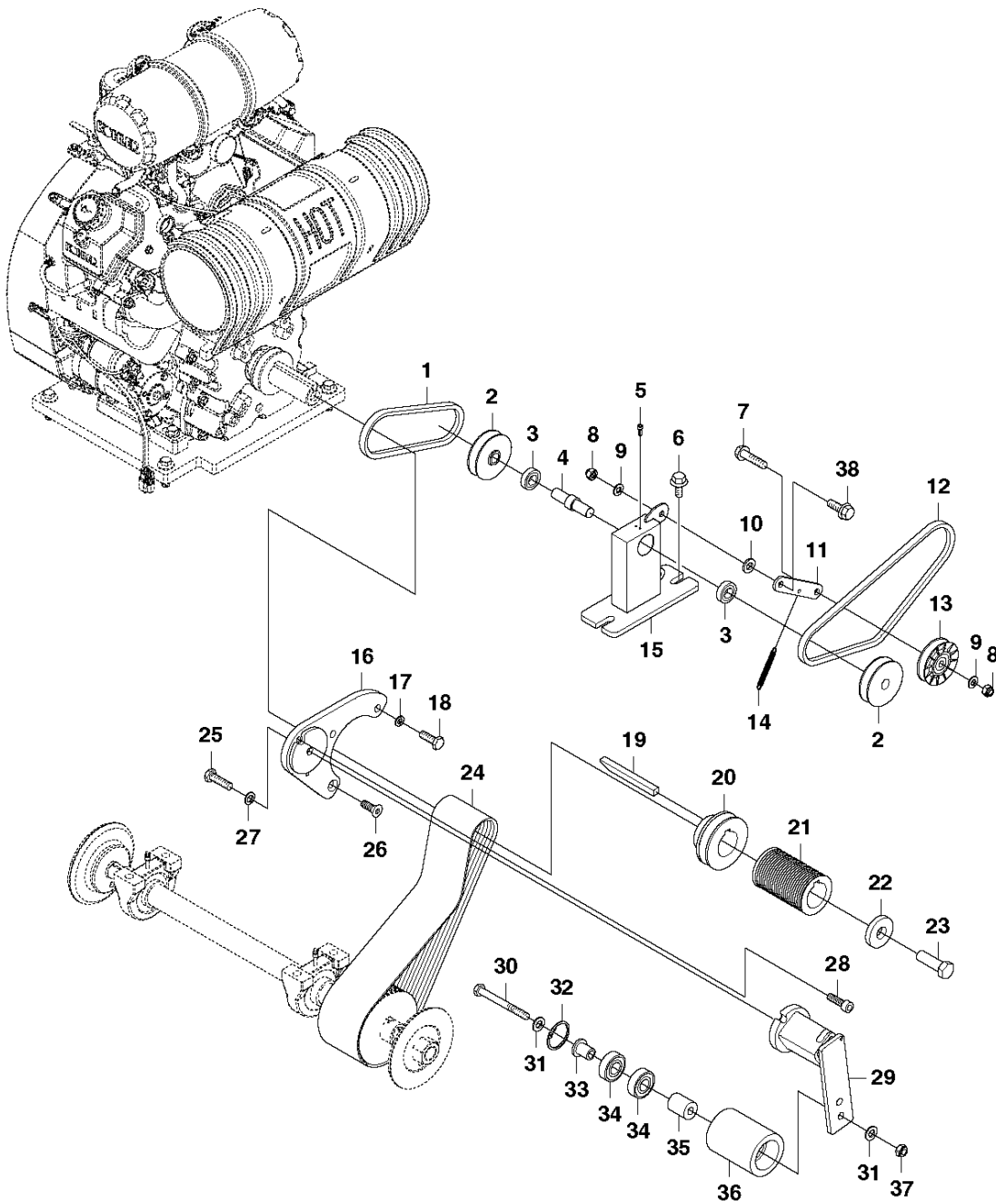


BATTERY

FS3500 G, 2016-01

Ref	Part No	Description	Remark	QTY KIT
1	586 12 02-01	SCREW EHHFM		1
2	542 19 17-35	BRACKET		1
3	734 11 52-01	WASHER		1
4	732 25 16-01	HEXAGON LOCKING NUT		1
5	505 55 12-01	BOLT		1
6	585 97 31-01	SCREW EHHFM		2
7	734 11 72-01	WASHER		2
8	732 25 20-01	HEXAGON LOCKING NUT		2
9	539 97 69-78	NUT		1
10	539 99 00-55	WASHER 1/4 SAE		1
11	589 00 41-01	BRACKET		1

C FS3500-G
BELT

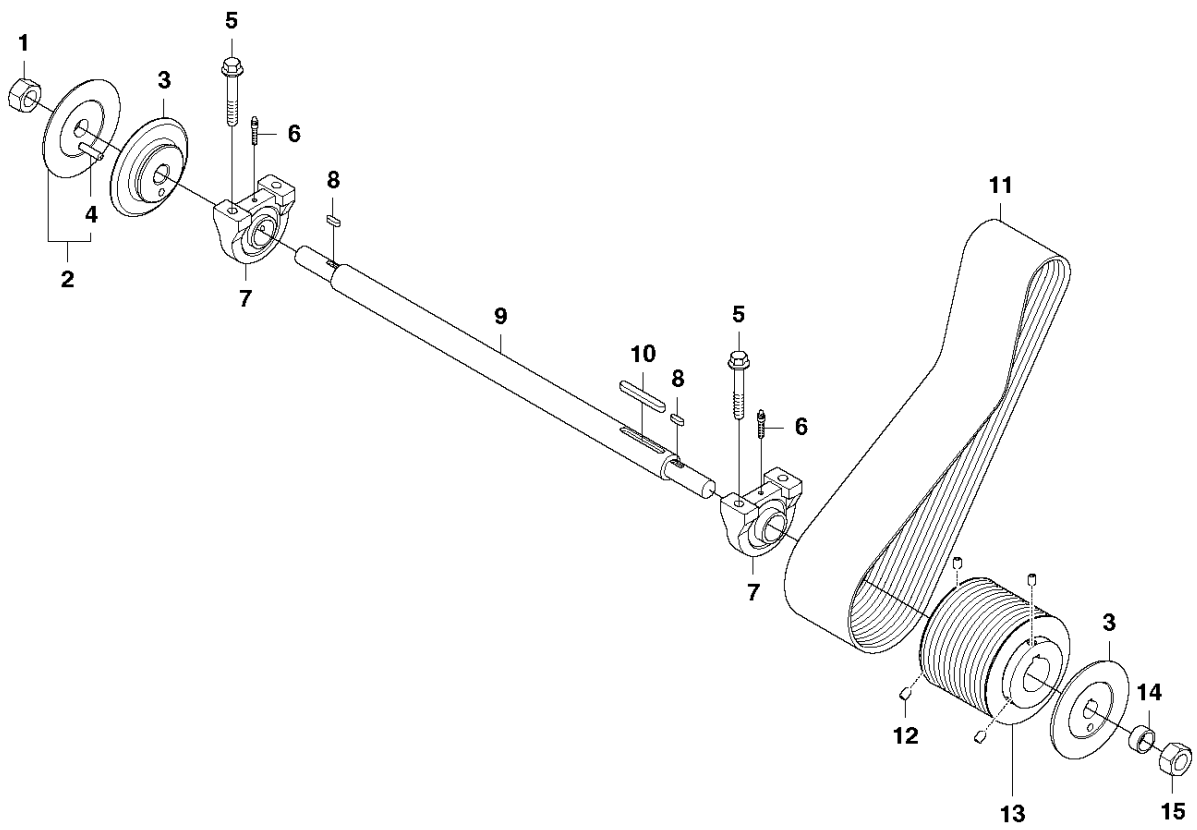


BELT

FS3500 G, 2016-01

Ref	Part No	Description	Remark	QTY KIT
1	589 00 05-01	BELT		1
2	579 69 21-01	PULLEY		2
3	541 20 83-20	BEARING		2
4	588 93 11-01	SHAFT		1
5	725 52 91-01	SCREW IHSCM		2
6	585 23 59-01	SCREW EHHFM		2
7	585 97 53-01	SCREW EHHFM		1
8	732 25 20-01	HEXAGON LOCKING NUT		2
9	734 11 72-01	WASHER		2
10	504 11 13-02	SPACER		1
11	588 92 55-01	LEVER		1
12	576 44 91-53	V-BELT		1
13	542 16 77-63	PULLEY		1
14	588 98 57-01	SPRING		1
15	501 66 28-01	BRACKET		1
16	588 92 27-01	BRACKET		1
17	539 99 01-18	WASHER		2
18	539 97 69-41	SCREW		2
19	542 02 00-39	KEY		1
20	588 95 70-01	PULLEY		1
21	582 14 29-01	PULLEY	"20""	1
21	588 94 74-01	PULLEY	"26""-30""	1
22	542 16 03-93	FS900T RING/		1
23	542 02 03-63	SCREW		1
24	582 15 03-01	BELT	"20""	1
24	588 99 99-01	BELT	"26""-30""	1
25	725 25 40-71	SCREW EHHM		1
26	501 93 97-01	SCREW IHCSFM		1
27	735 11 78-01	BEILAGSCHEIBE		1
28	725 54 95-01	SCREW IHSCM		1
29	588 67 65-01	BELT TENSIONER		1
30	725 25 52-51	SCREW EHHM		1
31	734 11 78-01	WASHER		2
32	735 31 40-10	CIRCLIP		1
33	541 20 81-94	SPACER		1
34	542 13 92-73	BALL BEARING		2
35	588 67 68-01	SPACER		1
36	588 67 67-01	SHEAVE		1
37	732 25 22-01	HEXAGON LOCKING NUT		1
38	585 98 04-01	SCREW EHHFM		1

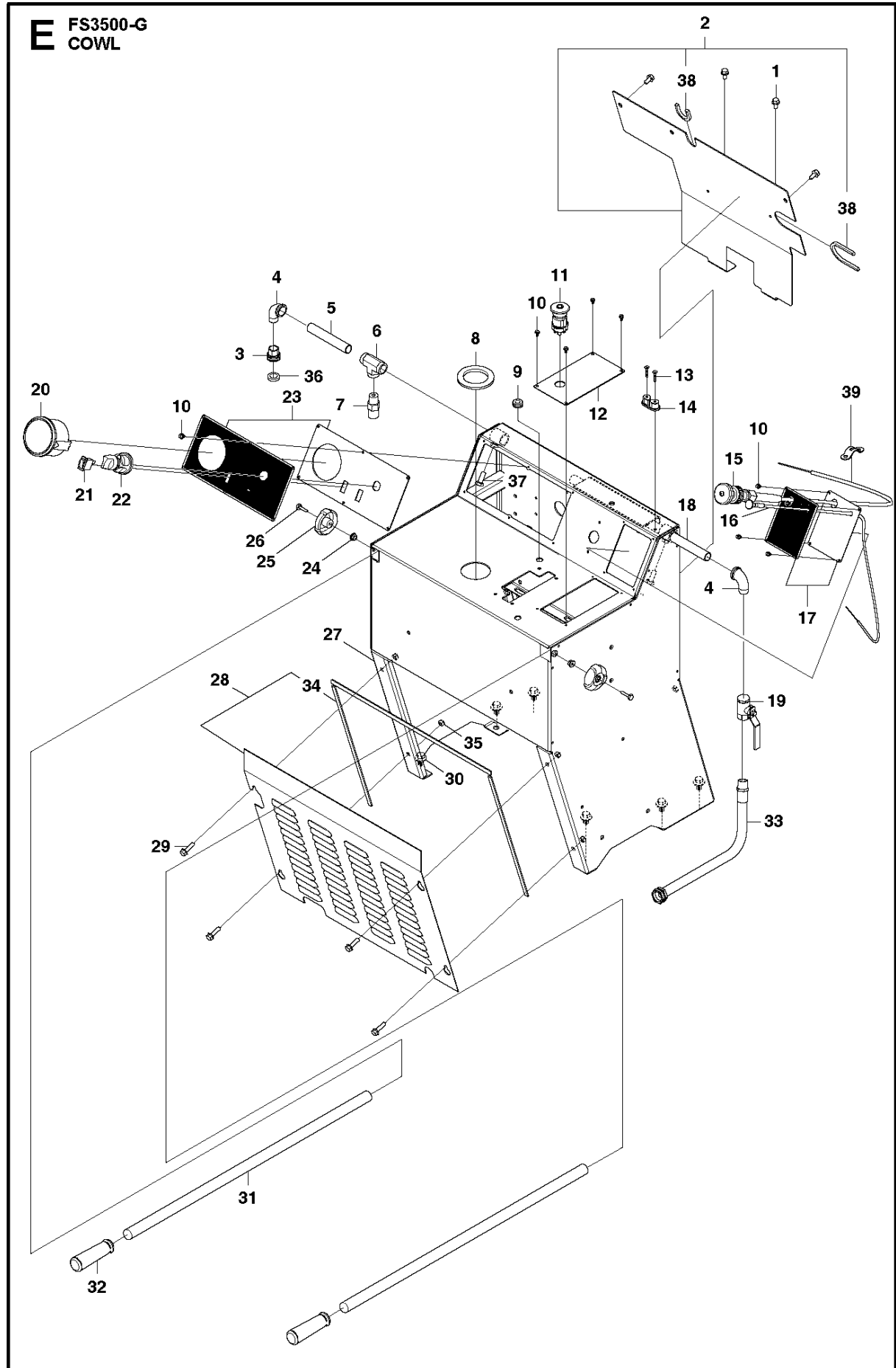
D FS3500-G
BLADE SHAFT



BLADE SHAFT

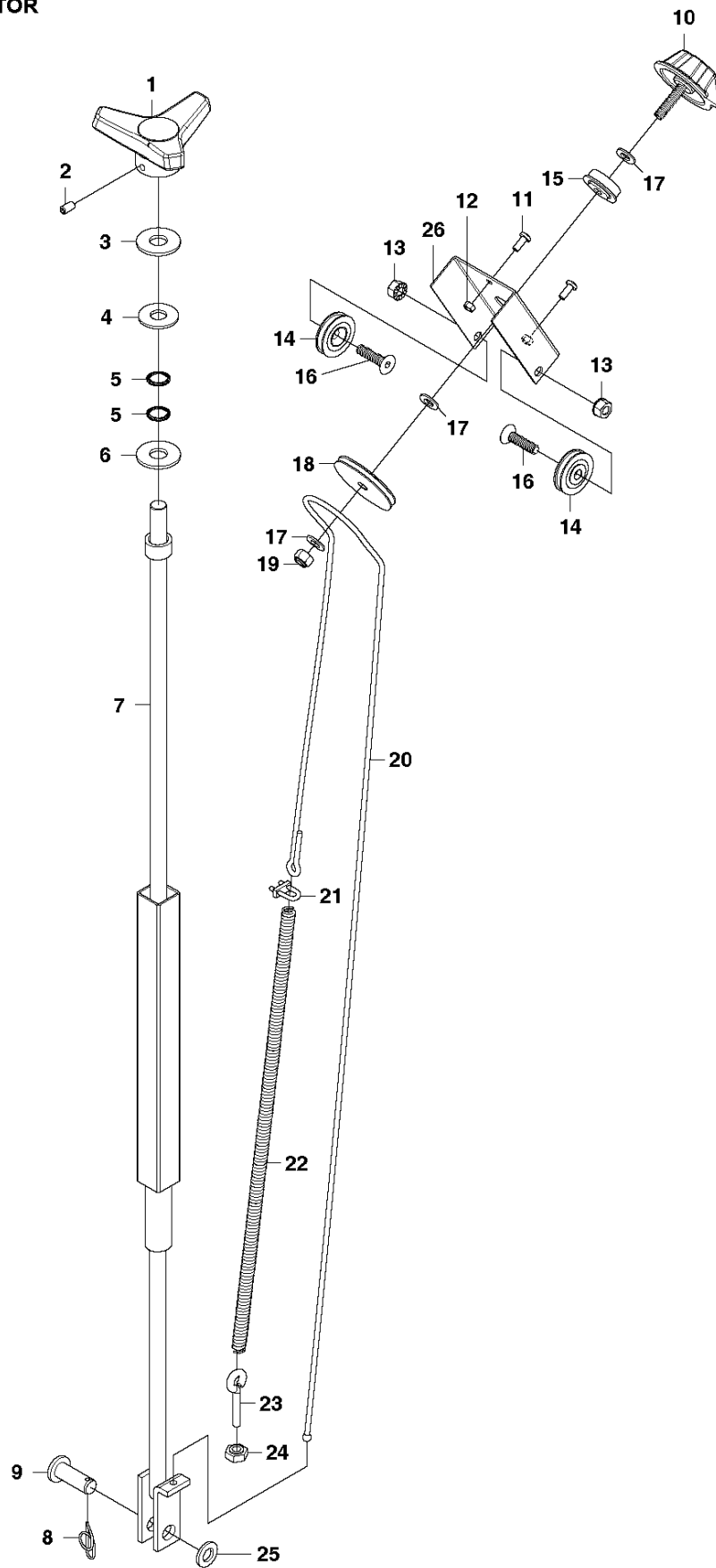
FS3500 G, 2016-01

Ref	Part No	Description	Remark	QTY KIT
1	542 02 00-17	FS900T SCREW NUT/NUT		1
2	542 16 79-62	COLLAR	"20""	1
2	542 16 73-67	OUTER FLANGE BLADE FLANG/	"26""-36""	1
3	542 04 58-63	FS702/902T INNER FLANGE/4"1/2	"20""	2
3	542 16 71-87	INNER FLANGE/FS600T / FS702/01	"26""-30""	2
4	505 53 19-01	PEN	Incl. In 2	1
5	588 80 18-01	SCREW EHHFM		4
6	542 18 36-37	TUBE		4
7	542 18 31-44	BALL BEARING		2
8	542 04 30-54	FS900T KEY FOR FLANGE/		2
9	542 16 42-33	AXE		1
10	542 18 32-97	KEY		1
11	582 15 03-01	BELT	"20""	1
11	588 99 99-01	BELT	"26""-30""	1
12	728 74 47-05	SCREW IHSETM		4
13	582 13 82-01	PULLEY	Ø 90 mm	1
13	588 95 69-01	PULLEY	Ø 116 mm	1
14	542 04 87-32	THREAD PROTECTOR SLEEVE/48732		1
15	541 20 46-25	NUT		1



Ref	Part No	Description	Remark	QTY KIT
1	585 97 56-01	SCREW EHHFM		4
2	582231101	TBD		1
3	539 30 02-69	HYD FIT 4045-12-8(USE 1C0013)		1
4	539 30 02-42	PIPE FIT. ST. ELBOW, 1/2" GALV		2
5	541 20 51-85	PIPE		1
6	542 02 07-30	TEE PIPE		1
7	542 17 87-24	SWITCH		1
8	539 30 00-80	GROMMET		1
9	542 18 13-61	GROMMET		1
10	542 02 05-87	HWHSTS, #10-24 X 3/8/TYP F SL		14
11	586 63 78-01	STOP SWITCH		1
12	588 63 41-01	PLATE		1
13	502 02 35-01	SCREW IHCSFM		2
14	501 85 79-01	CLAMP		1
15	582 06 88-01	CABLE		1
16	542 16 04-09	FS900T WIRE/		1
17	582230901	TBD		1
18	542 17 61-85	NIPPLE		1
19	542 04 02-61	BALL		1
20	588 97 68-01	GAUGE		1
21	542 16 67-11	SWITCH ROCKER SPST/		1
22	587 68 10-01	IGNITION SWITCH		1
23	582231301	TBD		1
24	504 56 93-01	TURNING KNOB		2
25	731 71 18-51	HEXAGON NUT FLANGE		2
26	725 24 57-71	SCREW EHHM		2
27	501 58 64-01	PANEL		1
28	582231401	TBD		1
29	585 97 28-01	SCREW EHHFM		4
30	576 65 48-02	SCREW EHHFM		6
31	539 30 03-40	HANDLE BAR		2
32	542 13 95-68	FS902T GRIP/		2
33	542 16 36-56	FS902T HOSE ASSY./		1
34	542 16 32-48	RUBBER		2
35	732 25 18-01	HEXAGON LOCKING NUT		4
36	542 04 56-40	FS900T RING/		1
37	725 24 93-71	SCREW EHHM		2
38	584 89 83-03	PROTECTION		2
39	521 97 35-78	CLAMP		1

F FS3500-G
DEPTH INDICATOR

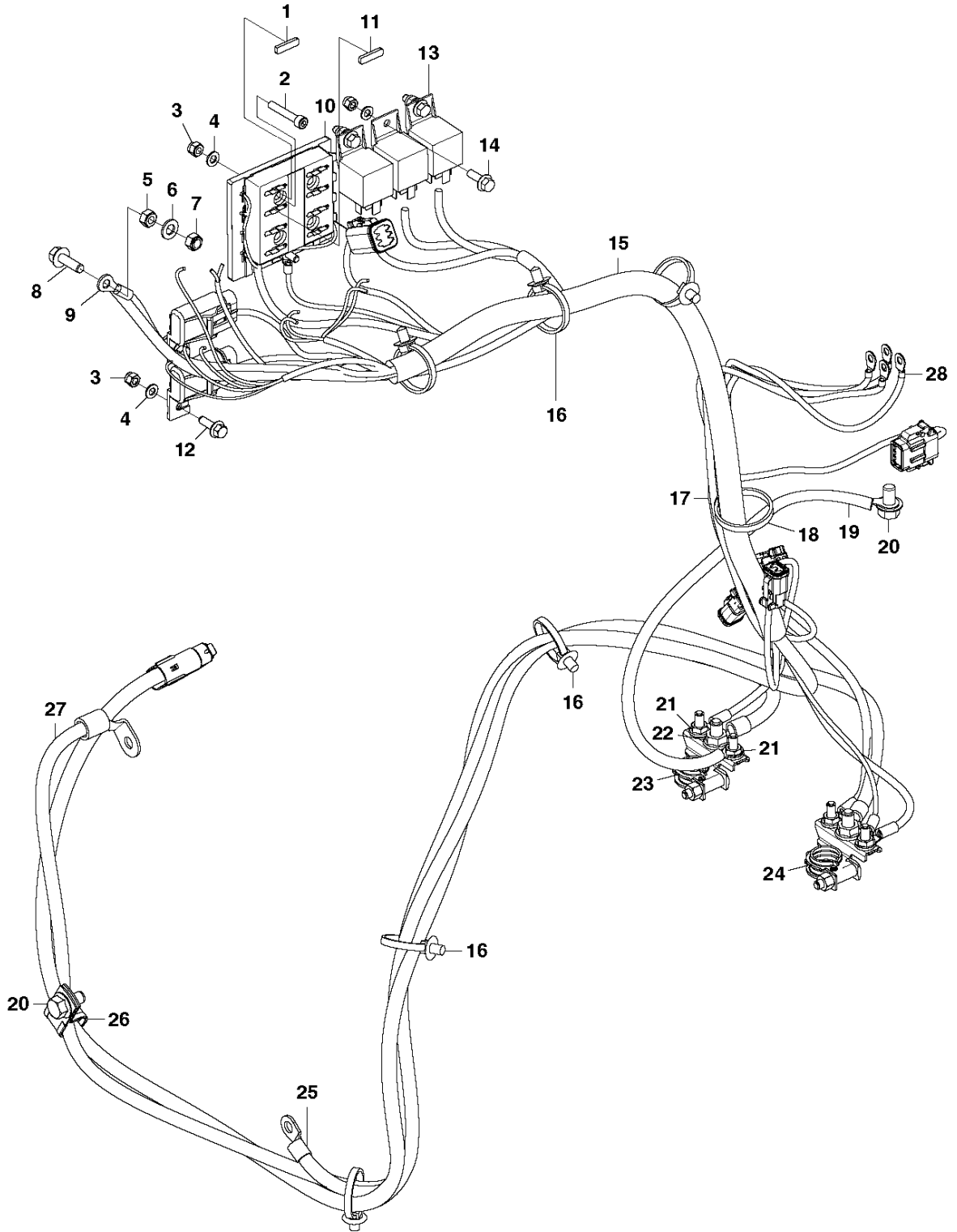


DEPTH INDICATOR

FS3500 G, 2016-01

Ref	Part No	Description	Remark	QTY KIT
1	541 20 16-53	HANDLE		1
2	539 30 00-20	NLA SCREW SET 1/4C X 1/2"		1
3	542 02 07-45	HS350T RINGS/		1
4	542 04 64-24	FS900T RING JOINT/		1
5	542 04 64-25	HS350T RING/WASHER, SPRING		2
6	539 99 02-50	WASHER		1
7	542 16 32-38	FS900/702/902T ROD DE/COMMANDE		1
8	542 17 72-39	STIFT 1/2"		1
9	542 16 01-64	FS900T GOUJON/		1
10	542 16 32-61	FS900T CURSEUR/		1
11	724 13 27-51	SCREW CRPANM		2
12	732 25 14-01	HEXAGON LOCKING NUT	Included in Tank, pos 5	2
13	542 03 23-66	FS900T SCREW NUT/		2
14	523 07 52-01	BEARING		2
15	542 04 36-96	FS900T BEARING/		1
16	522 67 64-02	SCREW		2
17	539 99 01-88	WASHER		3
18	542 04 36-94	FS900T WHEEL/		1
19	539 99 07-17	NUT		1
20	542 16 32-28	FS900T WIRE/		1
21	542 04 36-98	FS900T SERRE WIRE/		1
22	523 21 20-01	#119 SPRING TENSIONER 8		1
23	542 16 74-49	AUGBOLZEN M6X1,0X50MM OAL		1
24	731 23 16-01	HEXAGON NUT		1
25	734 11 78-01	WASHER		1
26	542 04 37-11	FS900T PLATE SUPPORT/		1

G FS3500-G
ELECTRICAL



ELECTRICAL

FS3500 G, 2016-01

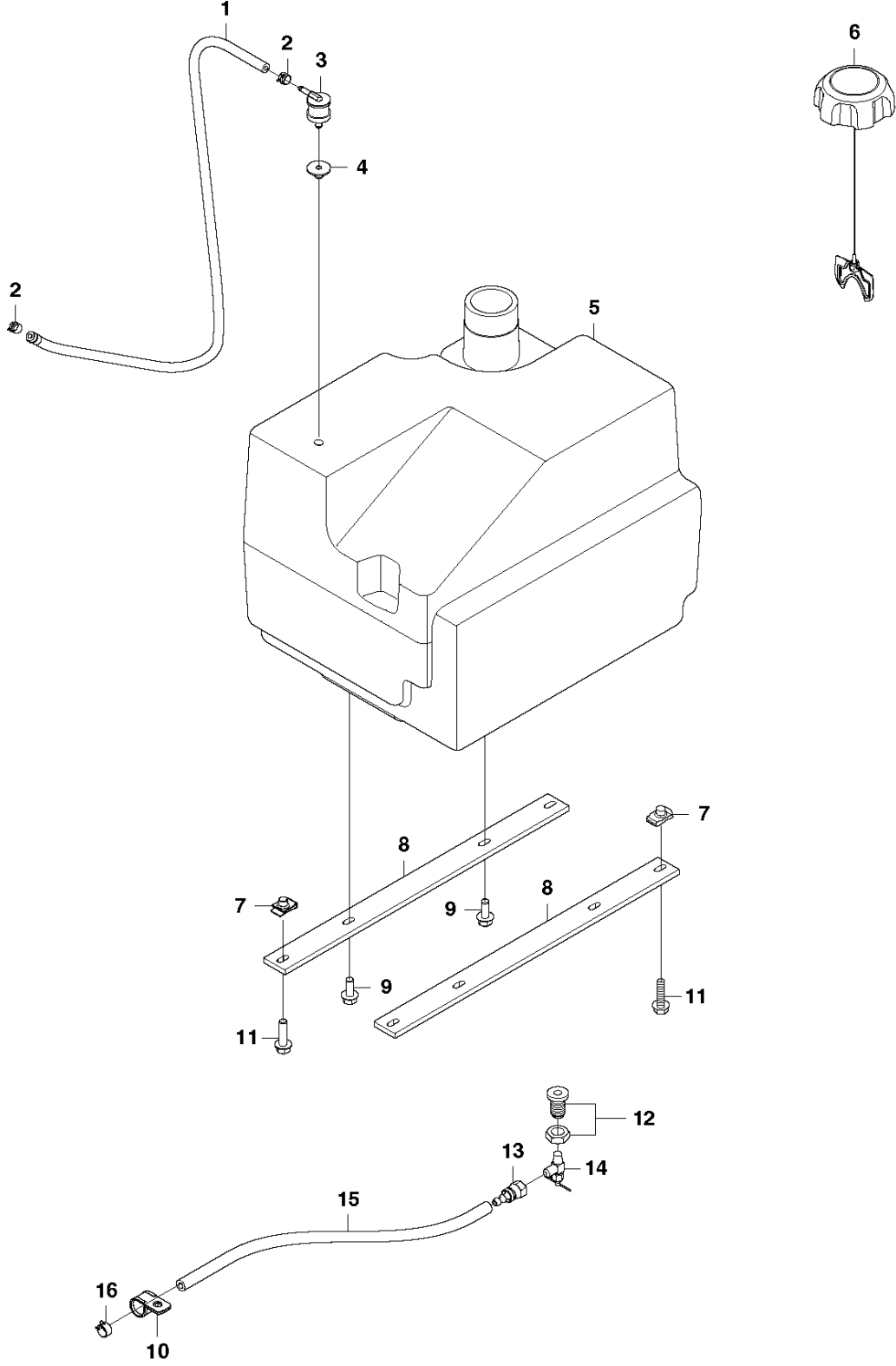
Ref	Part No	Description	Remark	QTY KIT
1	542 16 68-57	FUSE	5A	1
2	725 53 35-01	SCREW IHSCM		2
3	732 25 14-01	HEXAGON LOCKING NUT		6
4	734 11 46-01	WASHER		6
5	731 23 16-01	HEXAGON NUT		1
6	734 11 52-01	WASHER		1
7	732 25 16-01	HEXAGON LOCKING NUT		1
8	586 12 02-01	SCREW EHHFM		1
9	589 28 17-01	CABLE	Battery Ground 900 mm	1
10	542 16 66-22	FUSE BLOCK/FS902T *166622		1
11	589 28 15-01	FUSE		1
12	585 98 05-01	SCREW EHHFM		2
13	542 16 67-08	RELAIS FS902T/02/03/		3
14	542 02 05-87	HWHSTS, #10-24 X 3/8/TYP F SL		1
15	589 28 16-01	HARNESS		1
16	583 95 95-01	CLAMP		6
17	542 17 68-38	BATTERY CABLE, POS 12"/"		1
18	542 16 69-06	TIE WRAP		1
19	589 28 19-01	CABLE	Battery Negative 600 mm	1
20	585 97 56-01	SCREW EHHFM		2
21	731 71 16-51	HEXAGON NUT FLANGE		4
22	731 71 18-51	HEXAGON NUT FLANGE		2
23	581 33 64-01	ELECTRICAL SYSTEM		1
24	581 33 63-01	ELECTRICAL SYSTEM		1
25	589 28 21-01	CABLE	Battery Negative 850 mm	1
26	542 19 05-60	CLAMP. VINYL COATED .38 X .75		1
27	539 30 10-13	BATTERY CABLE (+)		1
28	501 85 91-01	PRIMARY CABLE		1

ENGINE

FS3500 G, 2016-01

Ref	Part No	Description	Remark	QTY KIT
1	505 79 80-01	AIR FILTER		1
2	505 79 81-01	AIR FILTER		1
3	.	TBD		
3	505 79 74-01	OIL FILTER		1
4	585 97 56-01	SCREW EHHFM		1
5	584 97 09-01	HOSE ASSY		1
6	542 17 86-56	CLAMP		1
7	541 20 47-34	FITTING		1
8	501 70 12-01	MUFFLER		1
9	731 23 18-01	HEXAGON NUT		4
10	542 02 00-39	KEY		1
11	588 95 70-01	PULLEY		1
12	582 14 29-01	PULLEY	"20""	1
12	588 94 74-01	PULLEY	"26-30""	1
13	542 16 03-93	FS900T RING/		1
14	542 02 03-63	SCREW		1
15	585 97 54-01	SCREW EHHFM		2
16	588 66 46-01	ENGINE		1
17	585 97 53-01	SCREW EHHFM		4
18	576 65 48-04	SCREW EHHFM		4
19	588 69 17-01	PLATE		1

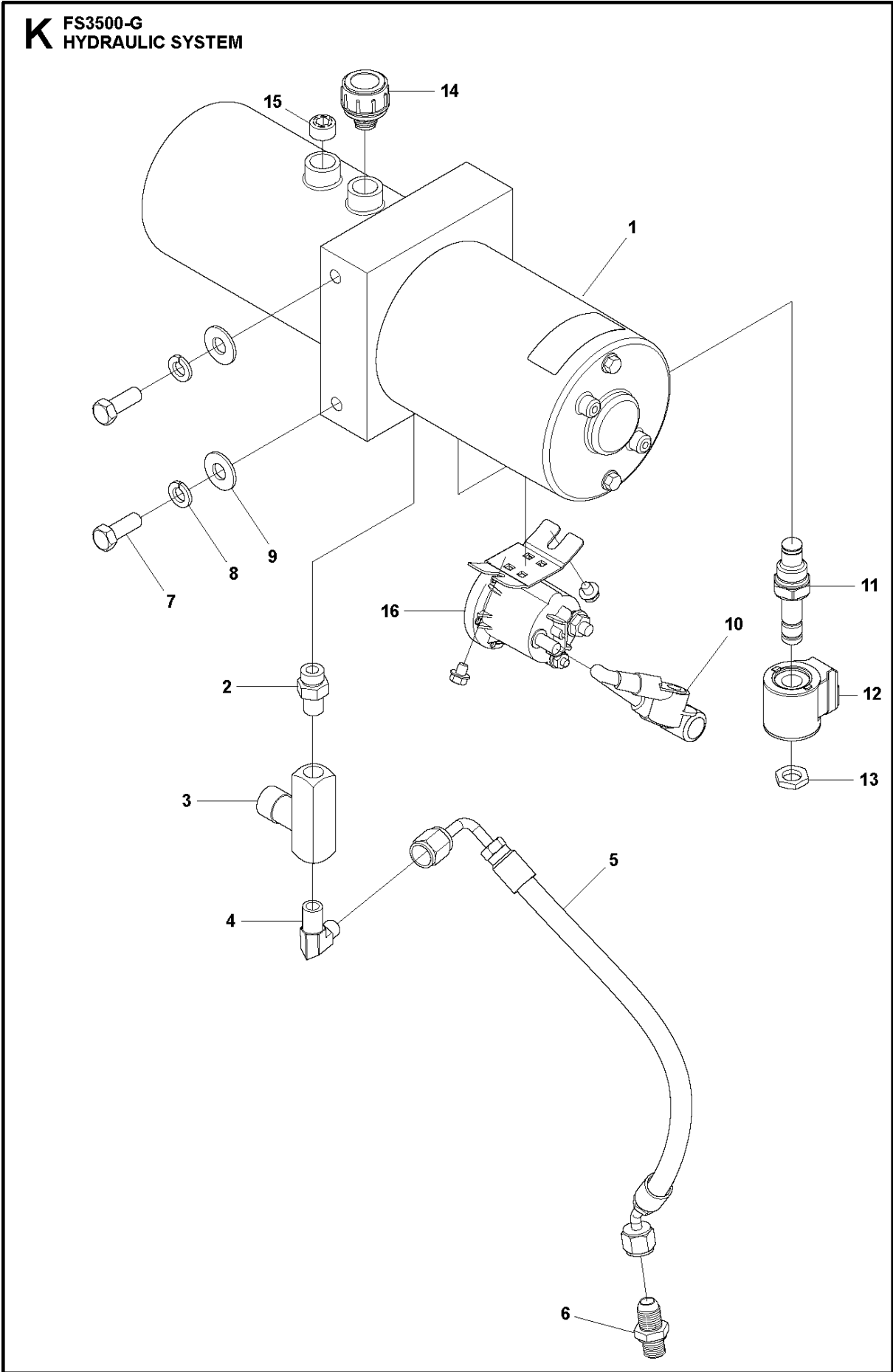
J FS3500-G
FUEL TANK



FUEL TANK

FS3500 G, 2016-01

Ref	Part No	Description	Remark	QTY KIT
1	523 05 08-13	HOSE	914 mm	1
2	577 81 35-02	CLAMP		2
3	576 61 81-01	VALVE		1
4	584 95 21-01	GROMMET		1
5	588 63 84-01	FUEL TANK	12 is included	1
6	586 02 73-01	CAP		1
7	542 16 75-55	NUT		4
8	542 16 42-46	LATTE/		2
9	585 97 54-01	SCREW EHHFM		4
10	542 19 05-60	CLAMP. VINYL COATED .38 X .75		1
11	585 97 28-01	SCREW EHHFM		4
12	588 75 53-01	FITTING	Incl. In 5	1
13	541 20 47-50	FITTING		1
14	542 19 03-92	VALVE. FUEL. .25SAE X .13MNPT		1
15	523 05 08-01	HOSE	457 mm	1
16	577 81 35-01	CLAMP	#N/A	1

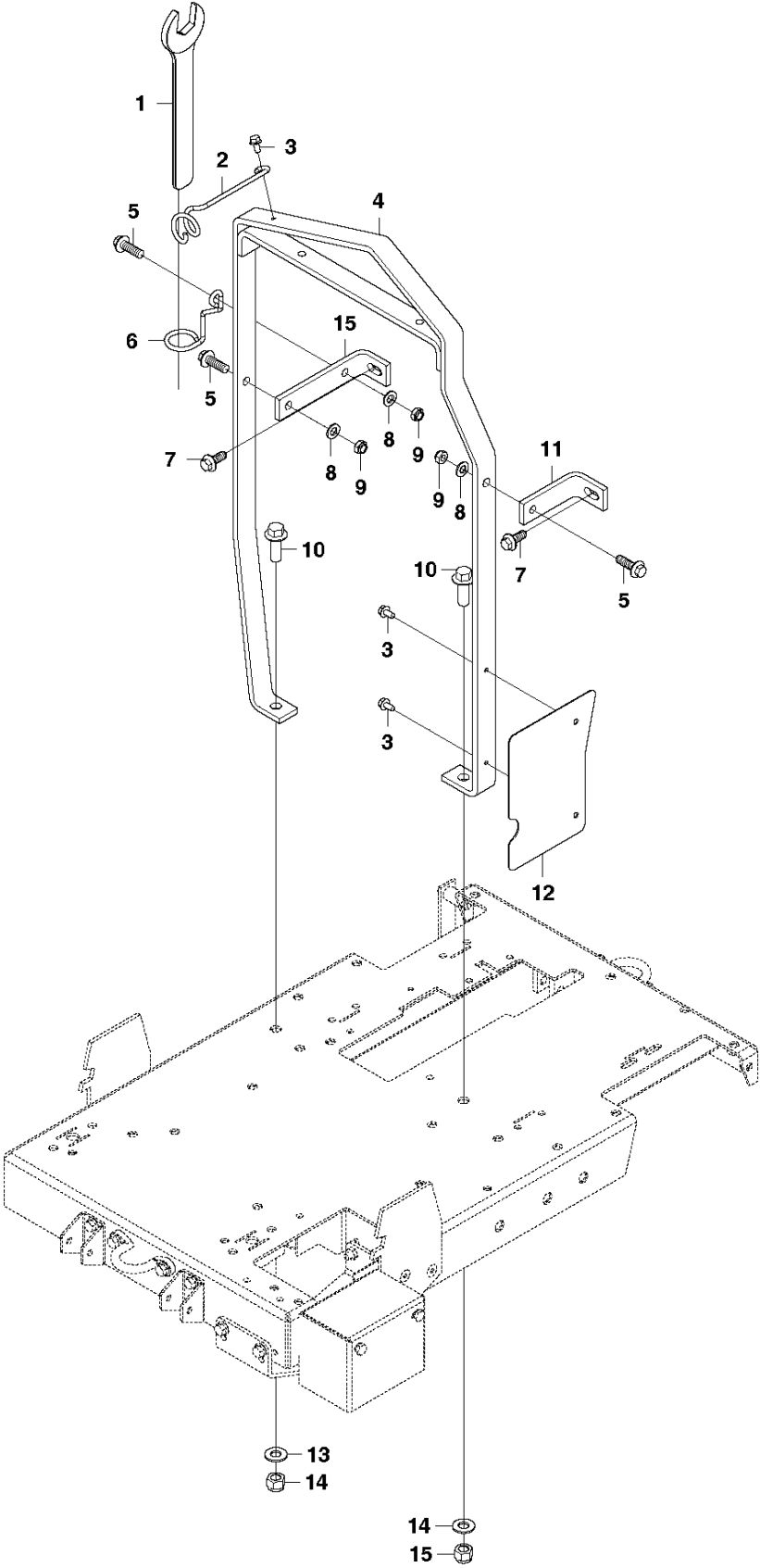


HYDRAULIC SYSTEM

FS3500 G, 2016-01

Ref	Part No	Description	Remark	QTY KIT
1	501 62 61-01	HYDRAULIC PUMP		1
2	541 20 49-80	FITTING		1
3	542 20 53-01	VALVE		1
4	541 20 45-85	FITTING		1
5	542 19 17-46	HOSE ASSY		1
6	501 88 21-01	FITTING		1
7	539 99 05-63	SCREW		2
8	539 99 01-18	WASHER		2
9	539 99 05-17	WASHER		2
10	582226201	TBD		1
11	582226501	TBD		1
12	522 84 91-10	PUMP		1
13	541 20 47-34	FITTING		1
14	522 84 91-19	PUMP		1
15	575 54 54-02	FITTING		1
16	522 84 91-15	PUMP		1

L FS3500-G
LIFT BAIL

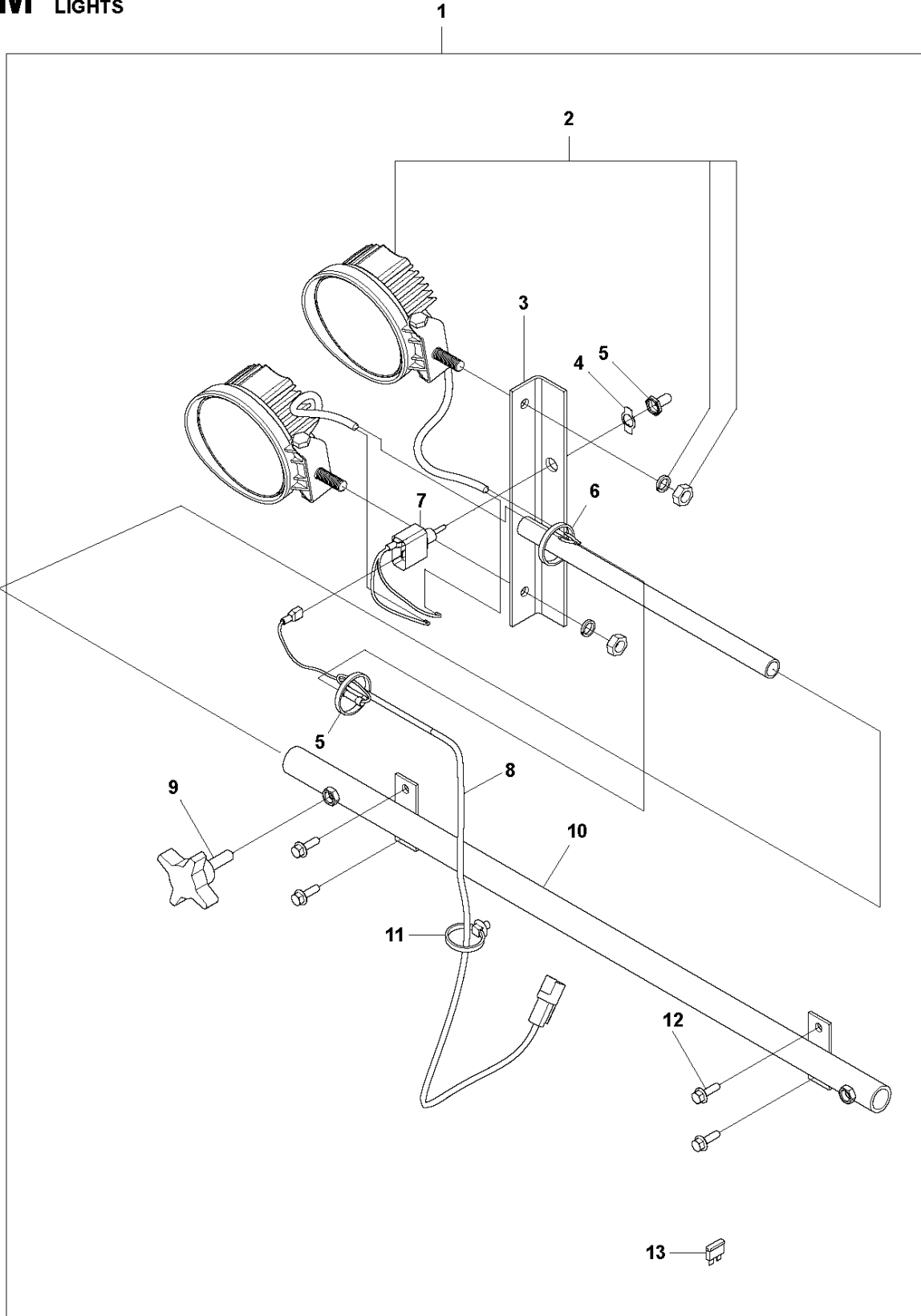


LIFT BAIL

FS3500 G, 2016-01

Ref	Part No	Description	Remark	QTY KIT
1	541 20 18-64	WRENCH		1
2	505 18 91-01	BRACKET		1
3	585 97 56-01	SCREW EHHFM		3
4	588 94 21-01	BAIL		1
5	576 65 48-04	SCREW EHHFM		3
6	578 10 73-01	HOLDER		1
7	576 65 48-03	SCREW EHHFM		2
8	734 11 78-01	WASHER		3
9	732 25 22-01	HEXAGON LOCKING NUT		3
10	581 24 94-03	SCREW EHHFM		2
11	588 94 20-01	BRACE		1
12	588 93 76-01	PLATE		1
13	539 97 69-82	WASHER		2
14	576 87 89-28	NUT		2
15	588 94 19-01	BRACE		1

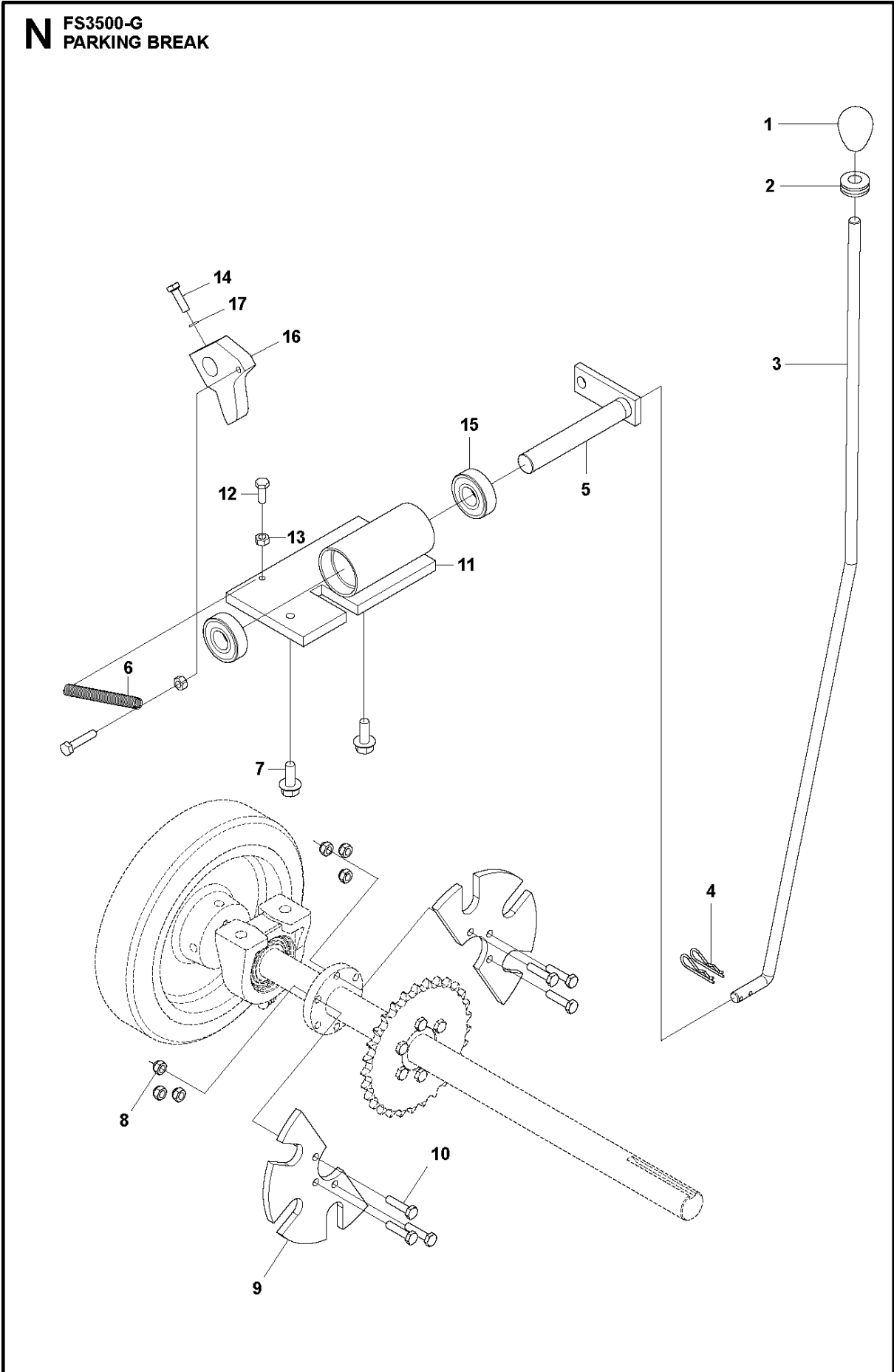
M FS3500-G LIGHTS



LIGHTING KIT

FS3500 G, 2016-01

Ref	Part No	Description	Remark	QTY KIT	
1	579 80 48-01	LIGHT		1	
2	587 33 00-01	LIGHT		2	1
3	542 16 37-58	BAR		1	1
4	542 09 05-52	PLATE		1	1
5	539 30 01-13	SWITCH BOOT, GREY		1	1
6	542 16 69-06	TIE WRAP		2	1
7	542 19 96-48	SWITCH		1	1
8	501 80 70-01	WIRING HARNESS		1	1
9	542 16 60-38	KNOB		1	1
10	542 16 37-54	SUPPORT TUBE WLDMT		1	1
11	583 95 95-01	CLAMP		1	1
12	586 12 02-01	SCREW EHHFM		4	1
13	542 16 68-55	FUSE		1	1

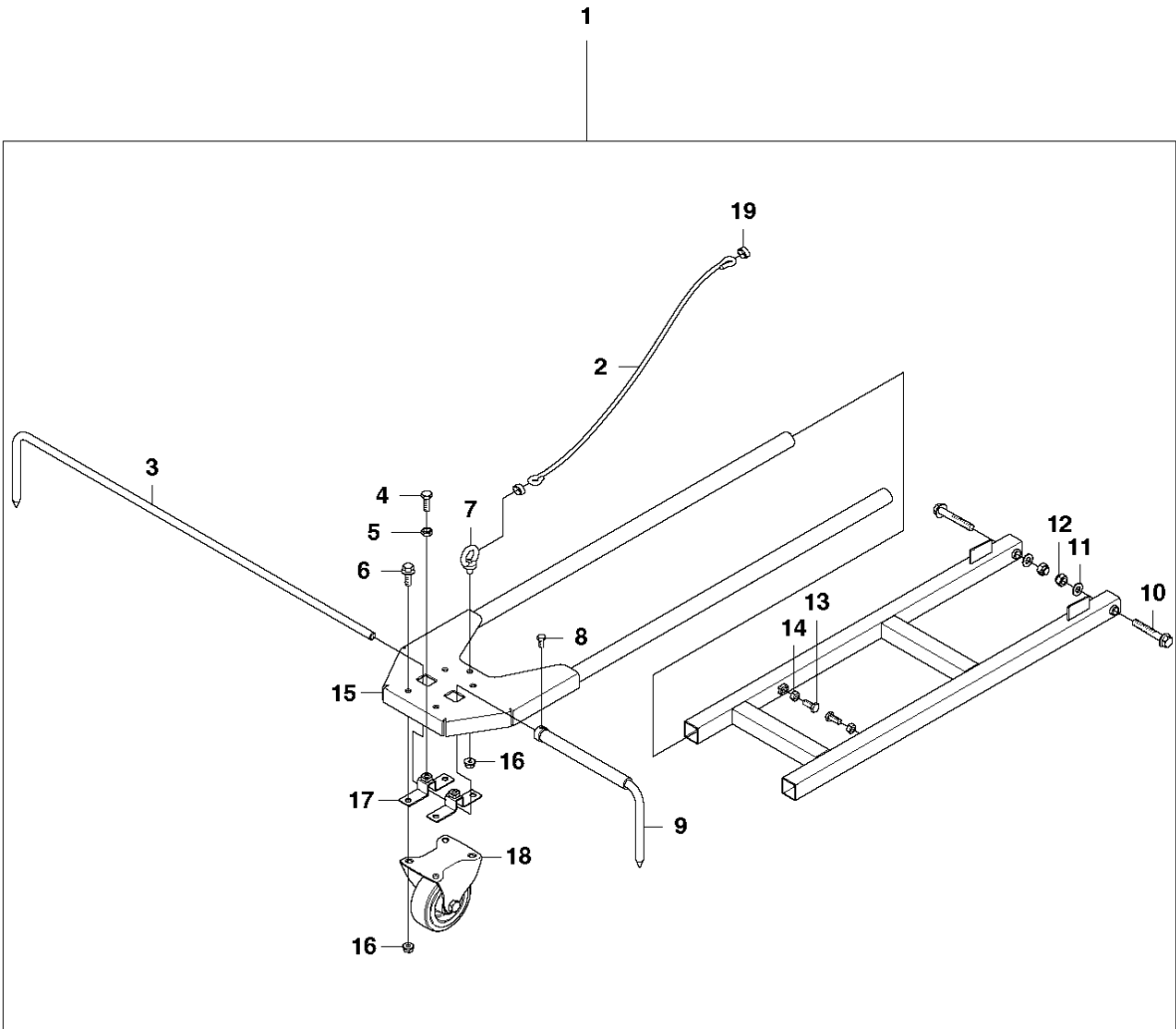


PARKING BRAKE

FS3500 G, 2016-01

Ref	Part No	Description	Remark	QTY KIT
1	542 04 14-27	KNOB		1
2	542 18 13-61	GROMMET		1
3	542 18 39-75	ROD		1
4	542 02 06-32	PIN		2
5	542 18 39-79	SHAFT		1
6	542 16 31-88	SPRING		1
7	585 97 54-01	SCREW EHHFM		2
8	732 21 16-01	NUT		6
9	542 18 39-67	BRAKE DISC FS3100D		2
10	725 23 72-71	SCREW EHHM		6
11	542 18 39-71	MOUNTING PLATE		1
12	725 23 68-71	SCREW EHHM		1
13	731 23 16-01	HEXAGON NUT		2
14	725 23 70-71	SCREW EHHM		1
15	542 07 10-81	HS350T BEARING/* BEARING		2
16	542 18 39-81	PAWL		1
17	735 11 53-01	WASHER		1

**FS3500-G
POINTER FRONT**

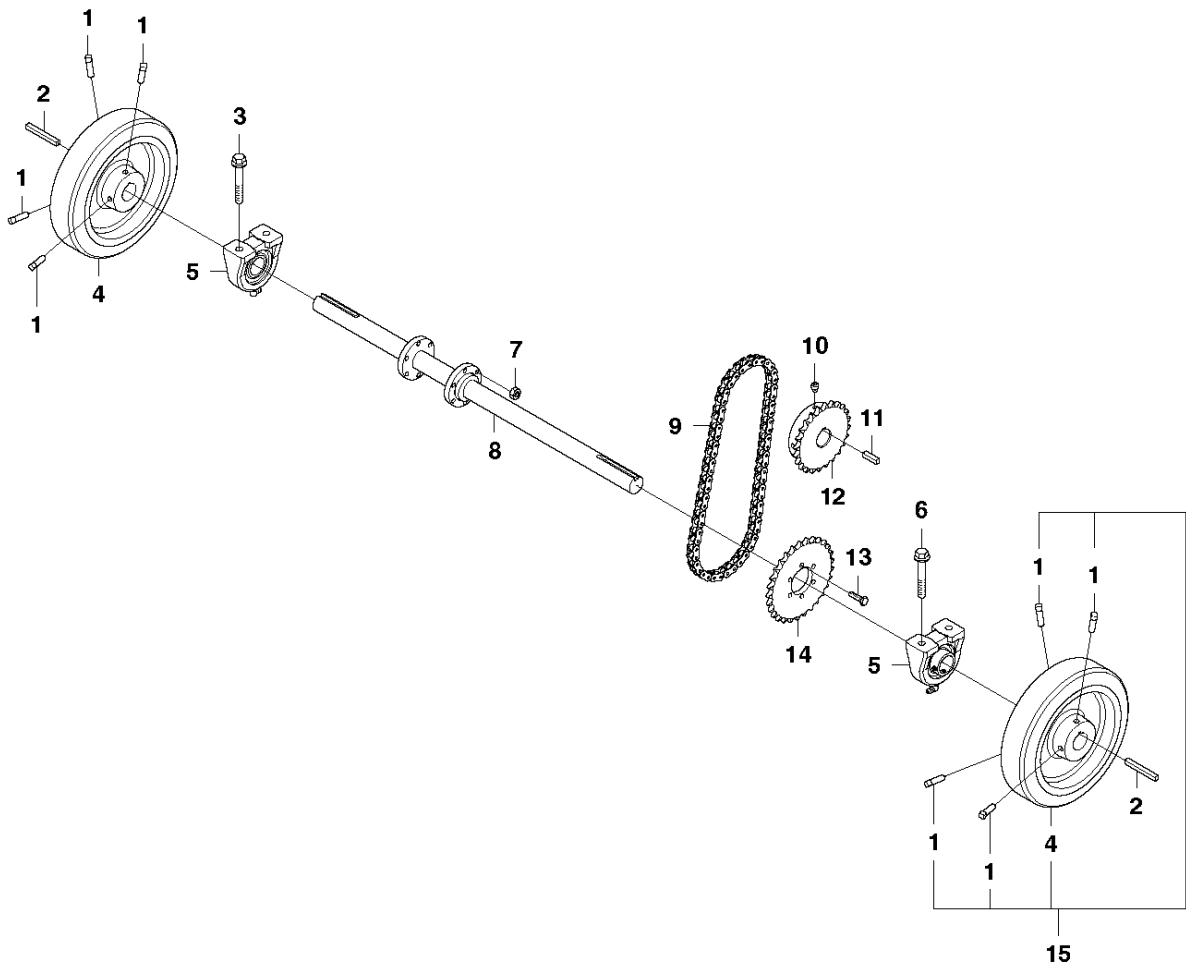


POINTER FRONT

FS3500 G, 2016-01

Ref	Part No	Description	Remark	QTY KIT	
1	586 81 49-01	POINTER		1	
2	542 02 08-90	CORDES/		1	1
3	581 22 26-01	ROD		1	1
4	725 24 51-71	SCREW EHHM		2	1
5	731 23 18-01	HEXAGON NUT		2	1
6	585 97 54-01	SCREW EHHFM		4	1
7	584 91 14-01	EYE BOLT		2	1
8	725 23 64-71	SCREW EHHM		1	1
9	585 89 15-01	POINTER		1	1
10	725 23 64-51	SCREW		1	1
11	734 11 72-01	WASHER		2	1
12	732 25 20-01	HEXAGON LOCKING NUT		2	1
13	581 22 21-01	POINTER		2	1
14	731 23 18-01	HEXAGON NUT		4	1
15	581 22 21-01	POINTER		1	1
16	731 71 18-51	HEXAGON NUT FLANGE		5	1
17	581 22 25-01	BRACKET		2	1
18	579 85 67-01	POINTER		1	1
19	541 20 04-67	CLAMP		2	1

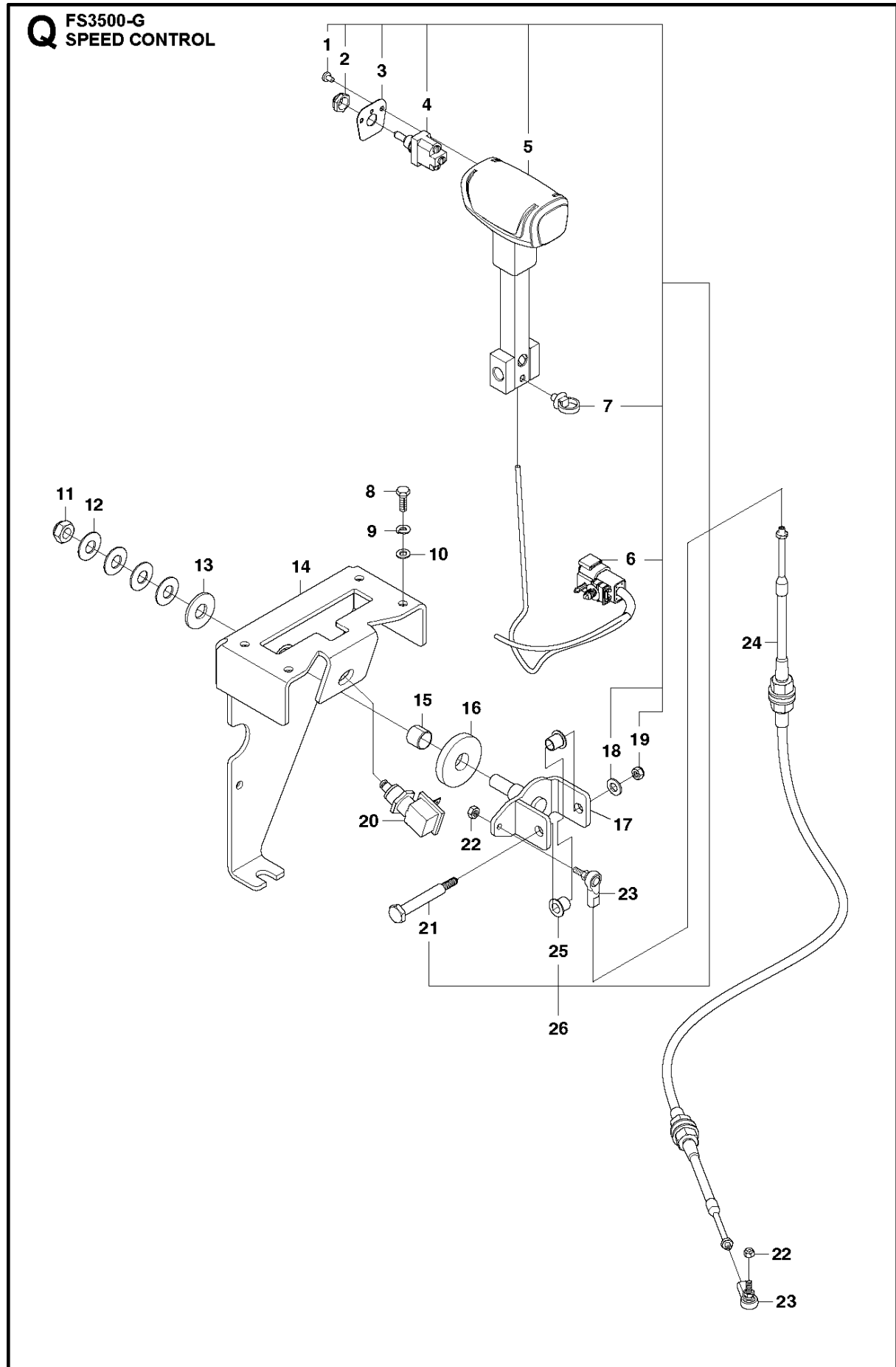
P FS3500-G
REAR AXLE



REAR AXLE

FS3500 G, 2016-01

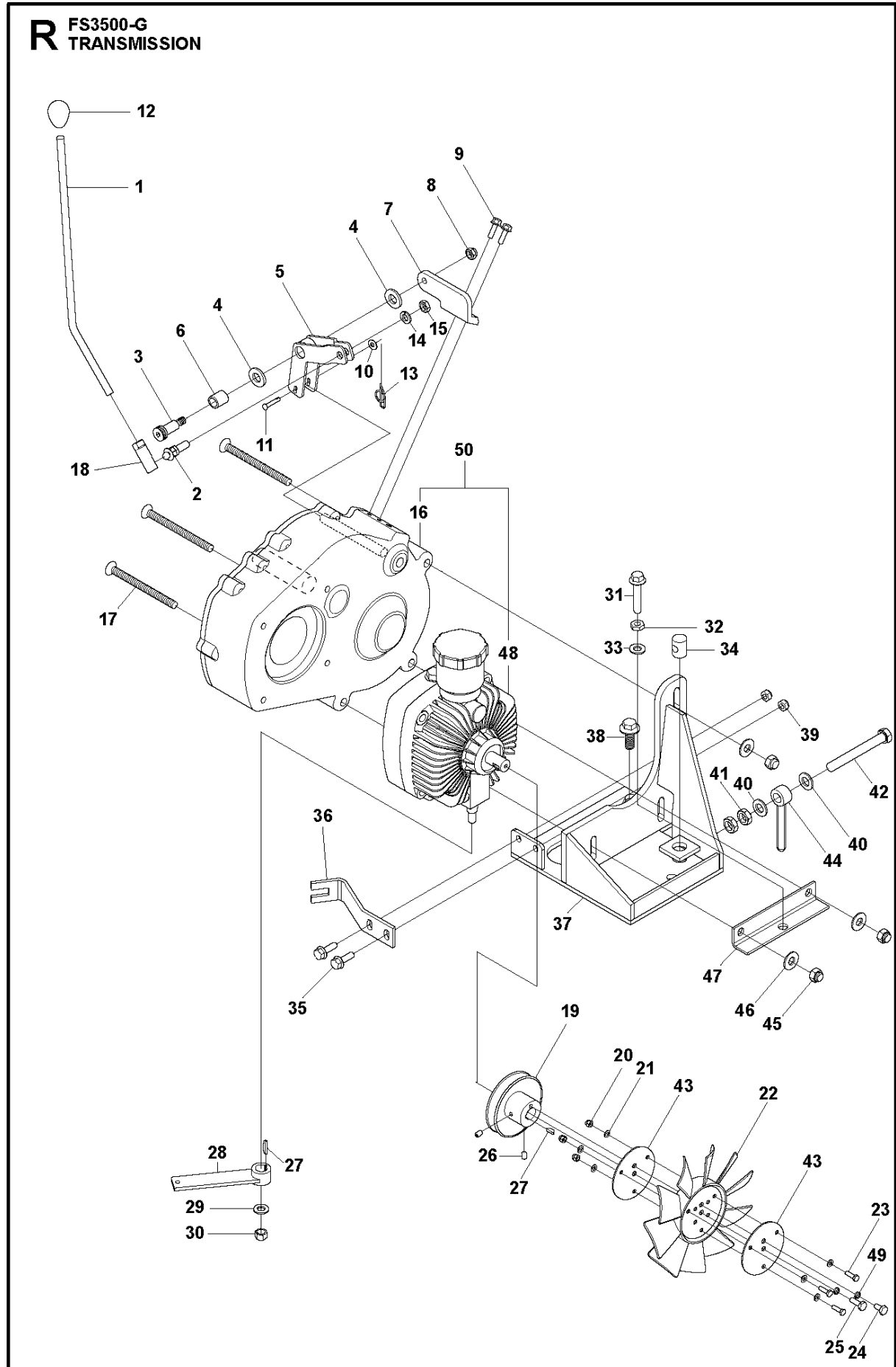
Ref	Part No	Description	Remark	QTY	KIT
1	542 02 05-31	FS900T SCREW/SET SCREW		8	15
2	523 23 39-01	KEY		2	
3	588 78 58-01	SCREW EHHFM		2	
4	542 04 50-90	WHEEL 8 X 2 X 2-1/4 W/KEY FS45		2	15
5	542 04 52-41	FS700/702T PALIER 1"/"		2	
6	588 79 00-01	SCREW EHHFM		2	
7	732 25 16-01	HEXAGON LOCKING NUT		6	
8	542 18 39-87	REAR AXLE ASSY		1	
9	542 17 67-03	CHAIN		1	
10	542 02 05-50	SETSCREW, SOCKET HD., /5/16"-18		2	
11	541 20 34-04	KEY		1	
12	542 17 66-05	DRIVE SPROCKET		1	
13	725 23 72-71	SCREW EHHM		6	
14	542 18 33-20	DRIVE SPROCKET		1	
15	542 16 60-17	FS702T-01 WHEEL 8" W//SET SCR		1	



SPEED CONTROL

FS3500 G, 2016-01

Ref	Part No	Description	Remark	QTY	KIT
1	724 12 85-51	SCREW		2	26
2	542 18 21-46	BOLT		1	26
3	581 11 85-01	PLATE		1	26
4	542 18 21-02	SWITCH ASSY/ATT 182100 + 18211		1	26
5	586 94 62-01	HANDLE		1	26
6	581 07 36-01	HARNESS ASSY		1	26
7	583 95 95-01	CLAMP		2	26
8	725 23 68-71	SCREW EHHM		4	26
9	735 11 53-51	SPRING WASHER		4	
10	734 11 52-01	WASHER		4	
11	732 25 22-01	HEXAGON LOCKING NUT		1	
12	542 18 31-24	SCHEIBENFEDER		4	
13	542 02 07-45	HS350T RINGS/		1	
14	588 68 00-01	BRACKET		1	
15	581 06 89-01	BEARING BUSH		1	
16	579 42 56-01	WASHER		1	
17	588 68 04-01	ARM		1	
18	734 11 63-01	WASHER		1	26
19	539 97 69-78	NUT		1	26
20	542 17 63-98	NTRL SFTY STRT SWITCH/		1	
21	586 86 68-01	SCREW EHHI		1	26
22	541 20 52-53	NUT		4	
23	542 16 64-66	ROD END MALE/# 10-32		2	26
24	579 51 01-03	CABLE		1	
25	542 18 30-01	LAUFBUCHSE		2	26
26	587 81 20-01	HANDLE ASSY		1	

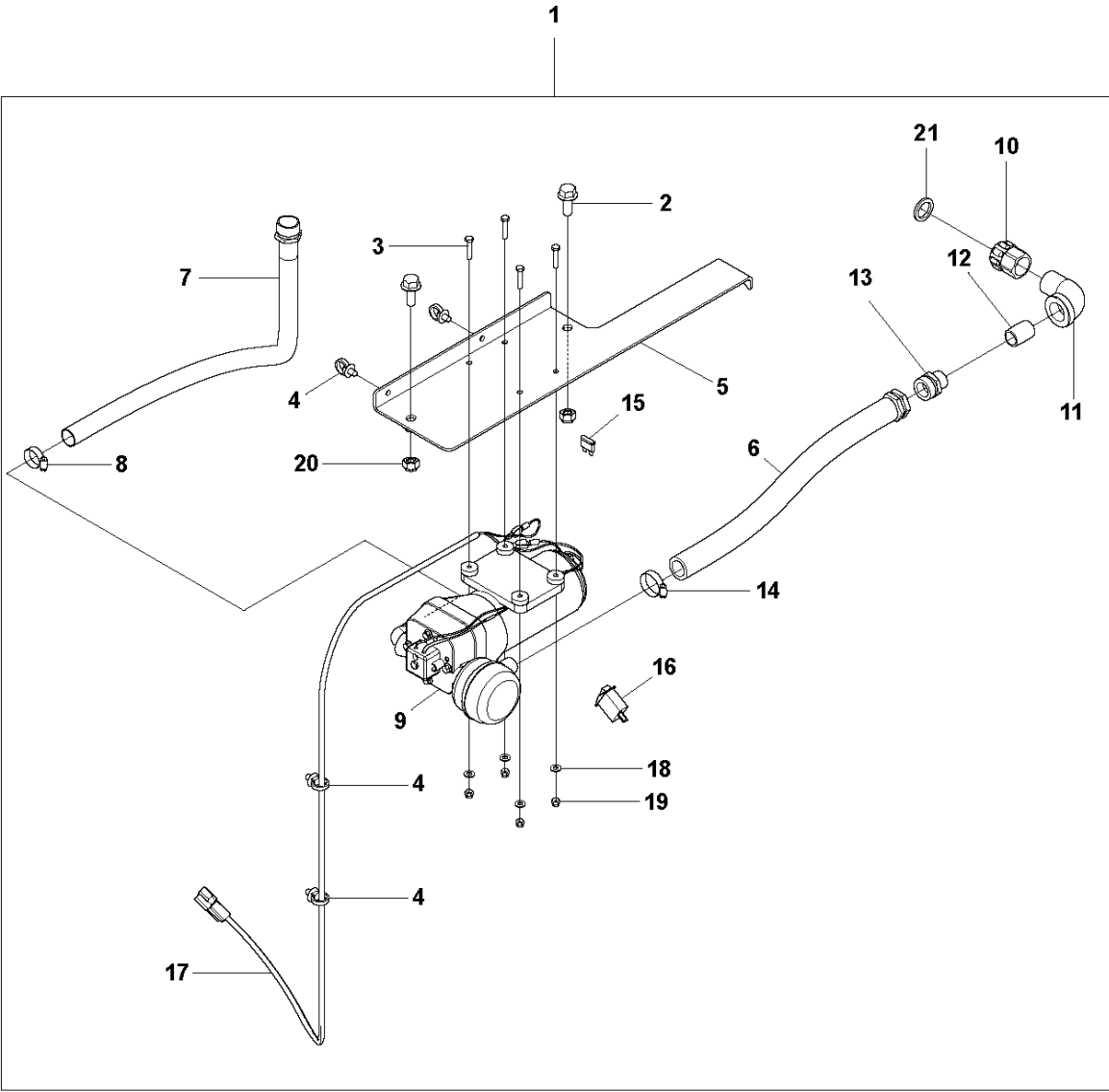


TRANSMISSION

FS3500 G, 2016-01

Ref	Part No	Description	Remark	QTY	KIT
1	542 18 13-59	ROD,SHIFTER-PRO 35/		1	
2	542 02 01-71	MUTTER/			
3	542 13 90-22	SHSHS -375-16 UNC X 1/Z/P CONC		1	
4	539 99 02-50	WASHER		2	
5	542 18 13-62	LINK		1	
6	542 16 66-07	BUSELURE BRONZE/		1	
7	542 17 65-25	SHIFT PIVOT BRACKET - BLACK		1	
8	542 02 01-96	LOCK NUT		1	
9	586 12 02-01	SCREW EHHFM		2	
10	542 02 07-39	WASHER		1	
11	542 16 66-01	STIFT/		1	
12	542 04 14-27	KNOB		1	
13	542 17 72-39	STIFT 1/2"		1	
14	539 99 01-18	WASHER		1	
15	542 02 01-71	MUTTER/		2	
16	542 17 66-75	GEARBOX		1	50
17	501 89 55-01	SCREW IHCSFM		3	
18	542 16 66-90	BALL		1	
19	542 17 65-35	V-BELT SHEAVE		1	
20	732 25 14-01	HEXAGON LOCKING NUT		3	
21	734 11 46-01	WASHER		6	
22	542 16 31-05	FS900T HELICE/FAN BLADE		1	
23	725 23 29-71	SCREW EHHM		3	
24	539 99 00-71	HCS ¼-20 X ½ GR 5 ZD		1	
25	541 20 46-29	SCREW		1	
26	542 02 05-41	SHSS, .25-20 X.375 CUP HK/CONCR		2	
27	539 30 07-49	KEY, #3 WOODRUFF		2	
28	542 17 65-33	SPEED CONTROL ARM		1	
29	734 11 72-01	WASHER		1	
30	539 97 69-79	NUT		1	
31	725 25 01-71	SCREW EHHM		1	
32	731 23 20-01	HEXAGON NUT		1	
33	539 99 01-22	WASHER		1	
34	542 16 77-20	DREHZAPFEN		1	
35	506 57 01-05	SCREW EHHFM		2	
36	542 17 65-31	BRACKET		1	
37	542 17 65-16	GETRIEBEHALTERUNG		1	
38	576 65 48-03	SCREW EHHFM		1	
39	732 25 18-01	HEXAGON LOCKING NUT		2	
40	734 11 78-01	WASHER		2	
41	542 17 30-10	NUT		2	
42	725 25 52-71	SCREW		1	
43	542 16 30-40	FS900T PLATE ROUND/		2	
44	542 16 31-32	FS900T LEVIER/		1	
45	732 25 20-01	HEXAGON LOCKING NUT		3	
46	539 99 05-17	WASHER		3	
47	542 17 65-23	BRACKET		1	
48	505 73 83-01	HYDROSTATIC PUMP		1	50
49	542 02 07-76	LOCKWASHER		2	
50	542 16 65-53	FS702T-01 GEAR/BOX ASSY./		1	

S FS3500-G
WATER PUMP

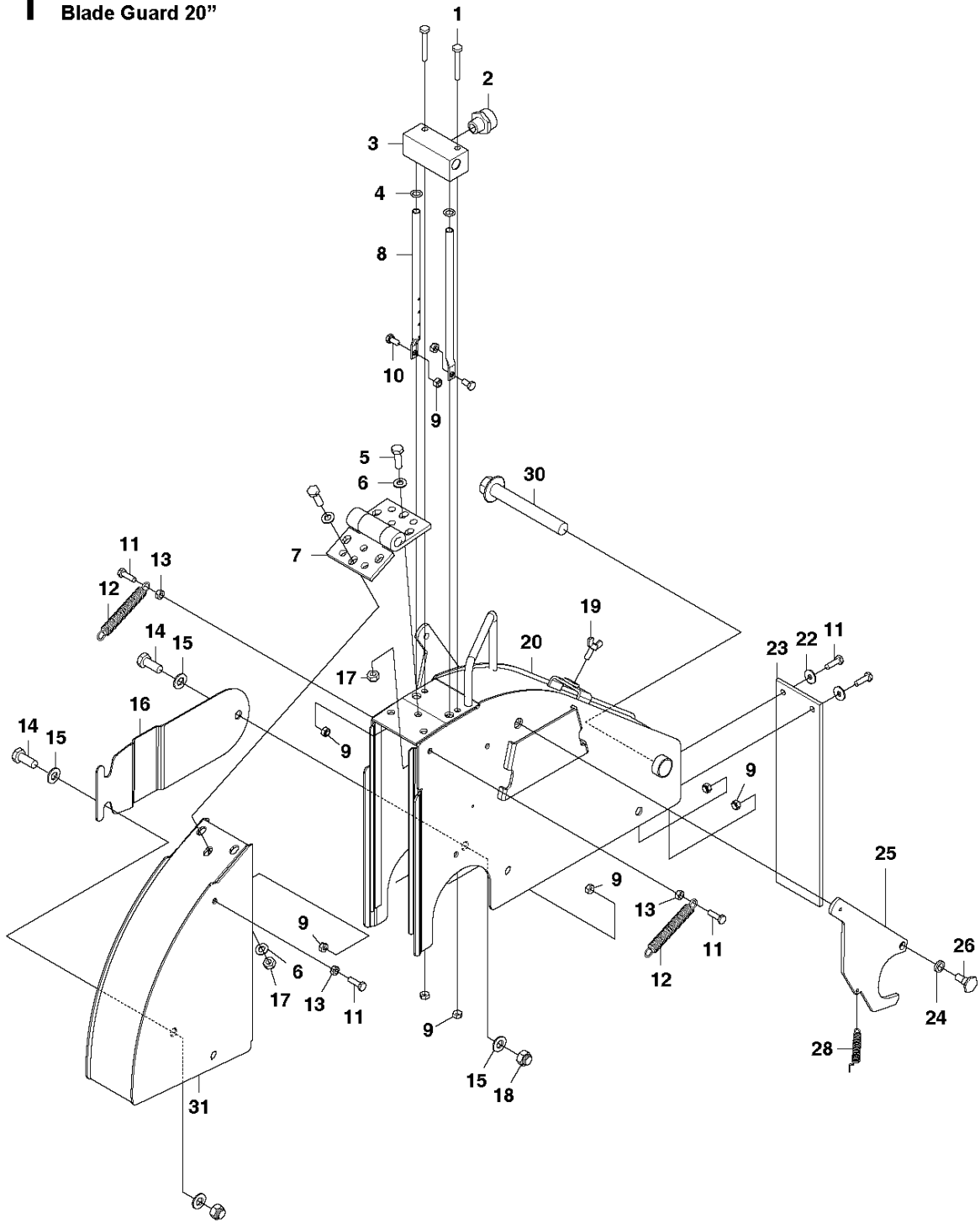


WATER PUMP

FS3500 G, 2016-01

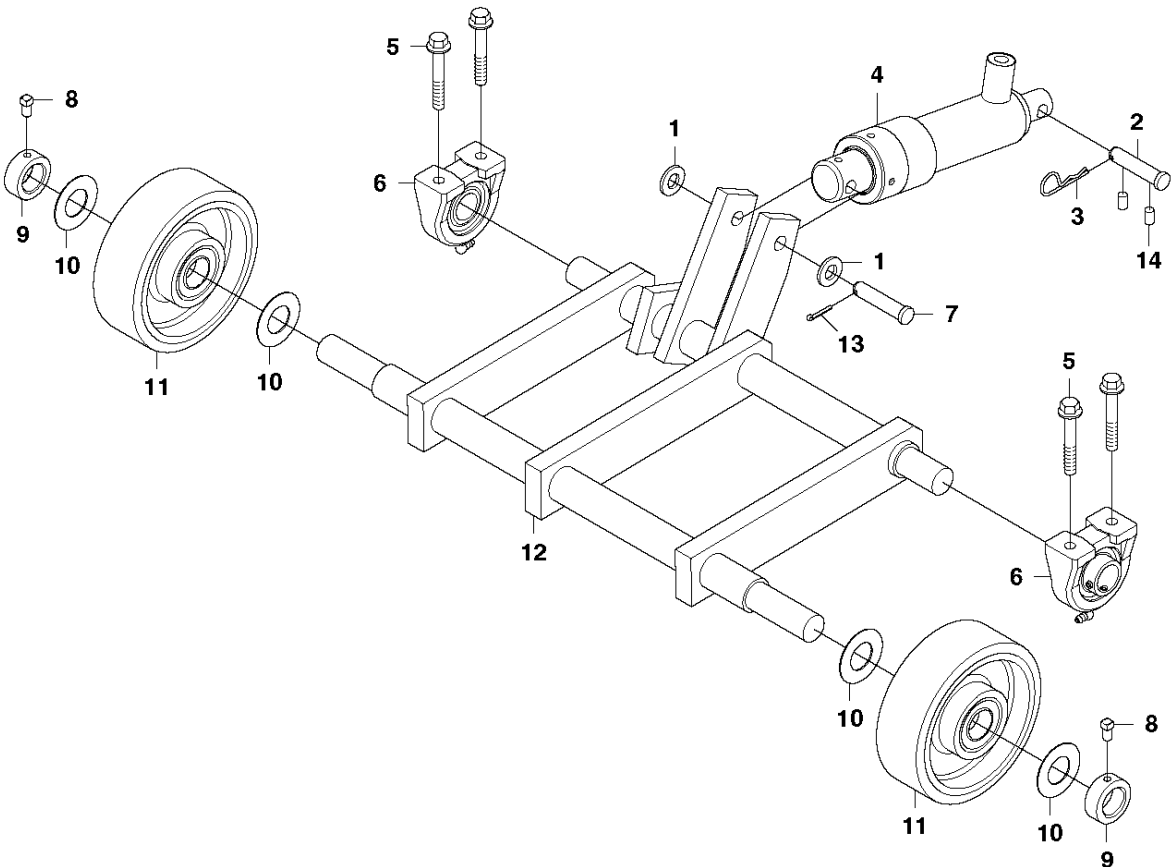
Ref	Part No	Description	Remark	QTY KIT	
1	579 80 46-01	WATER PUMP KIT		1	
2	585 97 31-01	SCREW EHHFM		2	1
3	725 23 33-71	SCREW EHHM		4	1
4	583 95 95-01	CLAMP		4	1
5	501 67 10-01	BRACKET		1	1
6	542 19 96-58	HOSE		1	1
7	542 19 96-57	HOSE		1	1
8	576 31 52-05	HOSE CLAMP		1	1
9	542 19 96-37	WASSERPUMPE		1	1
10	541 20 46-61	VEBINDUNG 3/4 MGH X 3/4 FPT		1	1
11	541 20 45-91	ROHRVERBINDUNG 3/4"		1	1
12	542 02 02-96	FS900T TUBE FILETE/		1	1
13	542 17 86-87	ANSCHLUSSSTUTZEN 3/4 MGH X 3/4		1	1
14	539 30 00-11	CLAMP, HOSE, MAH-6, 5/16-7/8		1	1
15	542 16 68-55	FUSE		1	1
16	542 16 67-11	SWITCH ROCKER SPST/		1	1
17	501 80 72-01	WIRING HARNESS		1	1
18	734 11 46-01	WASHER		4	1
19	732 25 14-01	HEXAGON LOCKING NUT		4	1
20	732 25 20-01	HEXAGON LOCKING NUT		2	1
21	539 30 00-77	WASHER, HOSE		1	1

T FS3500-G
Blade Guard 20"



Ref	Part No	Description	Remark	QTY KIT
1	725 23 79-51	SCREW EHHM		2
2	541 20 82-96	HYD FIT.. 4024-12-6		1
3	501 04 73-01	MANIFOLD		1
4	542 16 91-57	O-RING		2
5	725 24 53-76	SCREW EHHM		6
6	734 11 63-01	WASHER		9
7	542 19 51-27	HINGE		1
8	504 85 81-01	TUBE		2
9	732 25 16-01	HEXAGON LOCKING NUT		12
10	725 23 66-71	SCREW EHHM		2
11	725 23 70-71	SCREW EHHM		6
12	542 19 91-28	SPRING BLADE GUARD/FS 6600D		2
13	731 23 16-01	HEXAGON NUT		4
14	725 24 93-71	SCREW EHHM		3
15	734 11 72-01	WASHER		6
16	542 20 33-35	COVER		1
17	732 25 18-01	HEXAGON LOCKING NUT		6
18	732 25 20-01	HEXAGON LOCKING NUT		2
19	542 19 71-70	WING BOLT		1
20	504 87 17-01	BLADE GUARD		1
22	734 11 54-41	WASHER		2
23	542 20 32-98	GUARD		1
24	542 04 61-01	WASHER		2
25	542 16 68-16	LATCH		2
26	542 16 75-03	BOLT		2
28	541 20 83-45	SPRING		2
30	581 24 94-05	SCREW EHHFM	CE only	1
31	504 87 16-01	BLADE GUARD		1

V FS3500-G
FRONT AXLE

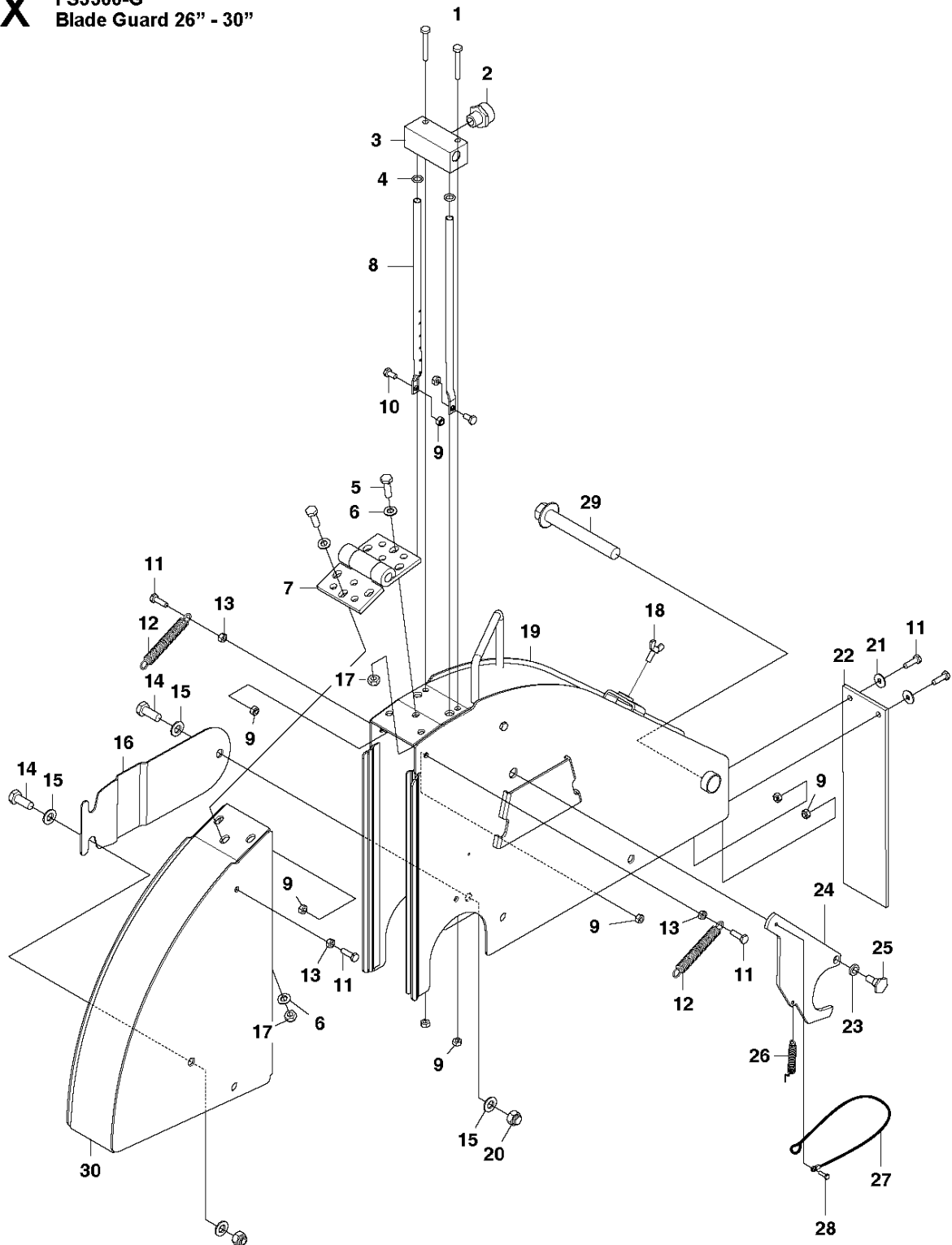


FRONT AXEL

FS3500 G, 2016-01

Ref	Part No	Description	Remark	QTY KIT
1	539 99 02-50	WASHER		2
2	542 17 66-99	PIN		1
3	576 87 89-29	PEN		1
4	588 78 97-01	HYDRAULIC CYLINDER		1
5	588 78 58-01	SCREW EHHFM		4
6	542 04 52-41	FS700/702T PALIER 1"/"		2
7	542 17 67-00	PIN .5 DIA x 3.00		1
8	542 02 05-39	SCREW		2
9	539 30 01-23	SPANNBUCHSE		2
10	542 04 64-02	WASHER		4
11	542 19 17-16	WHEEL		2
12	542 16 39-69	FRONT AXLE WELDMENT/		1
13	542 02 06-14	FS200T GOUPILLE/		1
14	542 02 05-41	SHSS,.25-20 X.375 CUP HK/CONCR		2

X FS3500-G
Blade Guard 26" - 30"



Ref	Part No	Description	Remark	QTY KIT
1	725 23 79-51	SCREW EHHM		2
2	541 20 82-96	HYD FIT.. 4024-12-6		1
3	501 04 73-01	MANIFOLD		1
4	542 16 91-57	O-RING		2
5	725 24 53-76	SCREW EHHM		6
6	734 11 63-01	WASHER		9
7	542 19 51-27	HINGE		1
8	501 04 68-02	TUBE	"26""	2
8	501 04 70-02	TUBE	"30""	2
9	732 25 16-01	HEXAGON LOCKING NUT		12
10	725 23 66-71	SCREW EHHM		4
11	725 23 70-71	SCREW EHHM		6
12	542 19 91-28	SPRING BLADE GUARD/FS 6600D		2
13	731 23 16-01	HEXAGON NUT		4
14	725 24 93-71	SCREW EHHM		3
15	734 11 72-01	WASHER		6
16	542 20 33-35	COVER		1
17	732 25 18-01	HEXAGON LOCKING NUT		6
18	542 19 71-70	WING BOLT		1
19	542 20 32-58	BLADE GUARD	"26"" "	1
19	542 20 32-97	BLADE GUARD	"30""	1
20	732 25 20-01	HEXAGON LOCKING NUT		1
21	539 99 00-55	WASHER 1/4 SAE		2
22	542 20 32-98	GUARD		1
23	542 04 61-01	WASHER		1
24	542 16 68-16	LATCH		2
25	542 16 75-03	BOLT		2
26	541 20 83-45	SPRING		2
27	542 18 39-98	SCHLEIFE		1
28	542 18 39-99	SCREW		1
29	581 24 94-05	SCREW EHHFM	CE only	1
30	542 20 32-64	BLADE GUARD	"26""	1
30	542 20 33-03	BLADE GUARD	"30""	1

Y FS3500-G DECALS

1
Husqvarna

2
Husqvarna

3
FS 3500 G

4

5

6

7
STOP

8
Covered By One Of More Of The Following U.S. Powers:

9

10
110dB

11

12

13
WARNING **ATTENZIONE**
Necessary to use the blade guard.
CAUTION **PRECAUTION**
All guards must be in place.
Los resguardos deben estar en posición.

14
WARNING
Do not use a larger size blade guard without changing to the correct belt drive! Failure to comply could result in injury or death!
Né pas utiliser une protection de disque de plus grande taille sans changer en même temps la courroie d'entraînement ! Toute négligence à cet égard pourrait causer des blessures graves, voire mortelles !
Bei Verwendung einer größeren Scheibenschutzhaube muss die entsprechende Antrieb installiert werden! Andernfalls besteht Verletzungs- oder Lebensgefahr!
Gebruik DEEN grotere bladafdekking zonder de sarngriem aan te passen indien dit niet wordt nagelast, zou dit tot een letsel of de dood kunnen leiden!
NON usare un riparo del disco di dimensioni più grandi senza cambiare anche la trasmissione del disco nella misura corretta!
L'insistenza di questa istruzione può causare infortuni o la morte!
AVVAND INTE ett bladskydd som är större utan att byta till rätt drivrem!
För användning av ett följande skärblad kan leda till skada eller död!
NÃO usar protectores de lâmina de tamanho maior sem mudar para o accionamento por correia corrector. A não observá-lo pode provocar lesões corporais, ou morte. Consulte o Manual de Operação.

14
WARNING
Do not use a larger size blade guard without changing to the correct belt drive! Failure to comply could result in injury or death!
Né pas utiliser une protection de disque de plus grande taille sans changer en même temps la courroie d'entraînement ! Toute négligence à cet égard pourrait causer des blessures graves, voire mortelles !
Bei Verwendung einer größeren Scheibenschutzhaube muss die entsprechende Antrieb installiert werden! Andernfalls besteht Verletzungs- oder Lebensgefahr!
Gebruik DEEN grotere bladafdekking zonder de sarngriem aan te passen indien dit niet wordt nagelast, zou dit tot een letsel of de dood kunnen leiden!
NON usare un riparo del disco di dimensioni più grandi senza cambiare anche la trasmissione del disco nella misura corretta!
L'insistenza di questa istruzione può causare infortuni o la morte!
AVVAND INTE ett bladskydd som är större utan att byta till rätt drivrem!
För användning av ett följande skärblad kan leda till skada eller död!
NÃO usar protectores de lâmina de tamanho maior sem mudar para o accionamento por correia corrector. A não observá-lo pode provocar lesões corporais, ou morte. Consulte o Manual de Operação.

15
POSITIVE DEPTH STOP

16
EMISSION CONTROL INFORMATION
HUSQVARNA
THIS EQUIPMENT MEETS U.S. EPA EVAP STANDARDS
FAMILY: GH2CPR1E2AB1
88461607

17
WARNING
DO NOT use a larger size blade guard without changing to the correct belt drive! Failure to comply could result in injury or death!
Né pas utiliser une protection de disque de plus grande taille sans changer en même temps la courroie d'entraînement ! Toute négligence à cet égard pourrait causer des blessures graves, voire mortelles !
Bei Verwendung einer größeren Scheibenschutzhaube muss die entsprechende Antrieb installiert werden! Andernfalls besteht Verletzungs- oder Lebensgefahr!
Gebruik DEEN grotere bladafdekking zonder de sarngriem aan te passen indien dit niet wordt nagelast, zou dit tot een letsel of de dood kunnen leiden!
NON usare un riparo del disco di dimensioni più grandi senza cambiare anche la trasmissione del disco nella misura corretta!
L'insistenza di questa istruzione può causare infortuni o la morte!
AVVAND INTE ett bladskydd som är större utan att byta till rätt drivrem!
För användning av ett följande skärblad kan leda till skada eller död!
NÃO usar protectores de lâmina de tamanho maior sem mudar para o accionamento por correia corrector. A não observá-lo pode provocar lesões corporais, ou morte. Consulte o Manual de Operação.

18

19
WARNING
DO NOT CHANGE TO A LARGER BLADE GUARD SIZE WITHOUT CHANGING TO PROPER BELT DRIVE. ENGINE SPEED AND BLADE FLANGE FAILURE TO COMPLY COULD RESULT IN DEATH OR SERIOUS BODILY INJURY. SEE OPERATOR'S MANUAL FOR INSTRUCTIONS. IF YOU DO NOT HAVE AN OPERATOR'S MANUAL, CALL TOLL FREE 1-800-255-4149

20
20" (500mm)

21
26" (650mm)

22
Husqvarna

23
30" (750mm)

DECALS

FS3500 G, 2016-01

Ref	Part No	Description	Remark	QTY KIT
1	585 29 48-01	DECAL		1
2	582 19 30-01	DECAL	CE	1
2	582 19 32-01	DECAL	US	1
3	579 68 09-01	DECAL		1
4	579 68 12-01	DECAL		1
5	579 68 13-01	DECAL		1
6	579 68 14-01	DECAL		1
7	585 40 71-01	DECAL		1
8	542 18 04-27	DECAL	US	1
9	586 46 75-01	DECAL		1
10	579 68 22-01	DECAL		1
11	582 10 32-01	DECAL		1
12	582 06 81-01	TYPE PLATE	CE	1
13	542 17 62-23	DECAL		2
14	585 37 06-01	DECAL	CE	1
14	542 16 90-65	DECAL	US	1
15	542 16 32-33	DECAL	US	1
16	580 40 16-07	DECAL		1
17	542 16 72-98	AUFKLEBER		1
18	542 16 39-86	AUFKLEBER LINKS		1
19	542 04 61-28	AUFKLEBER		1
20	586 30 75-01	DECAL		1
21	586 30 76-01	DECAL		1
22	585 94 93-01	DECAL		1
23	586 30 77-01	DECAL		1