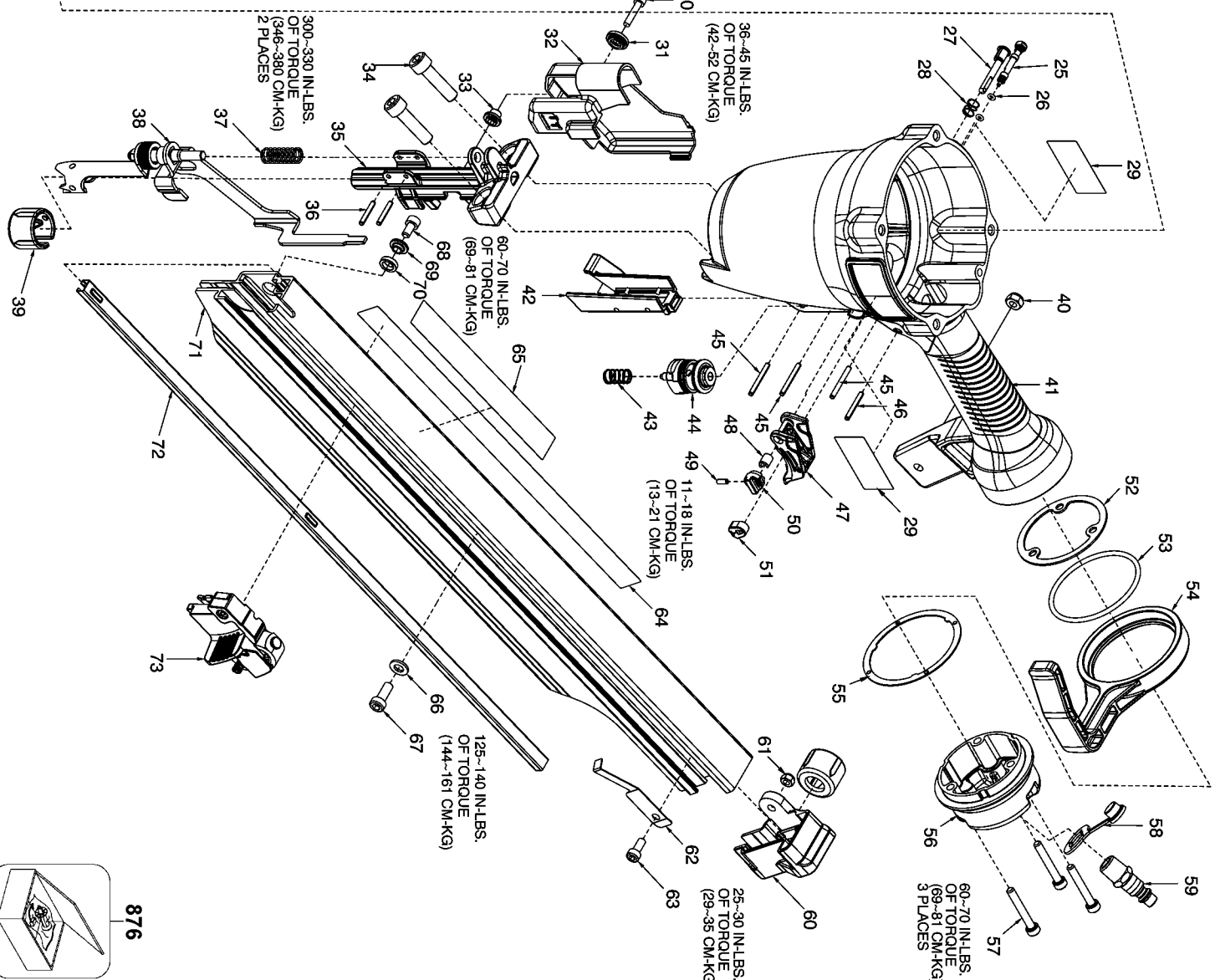
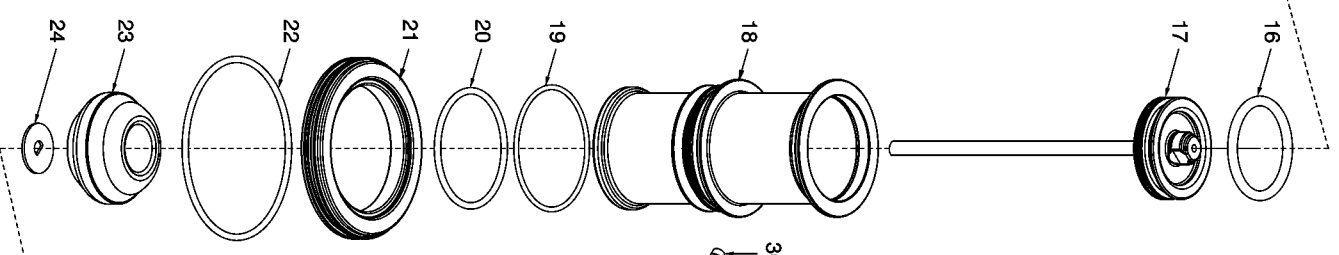
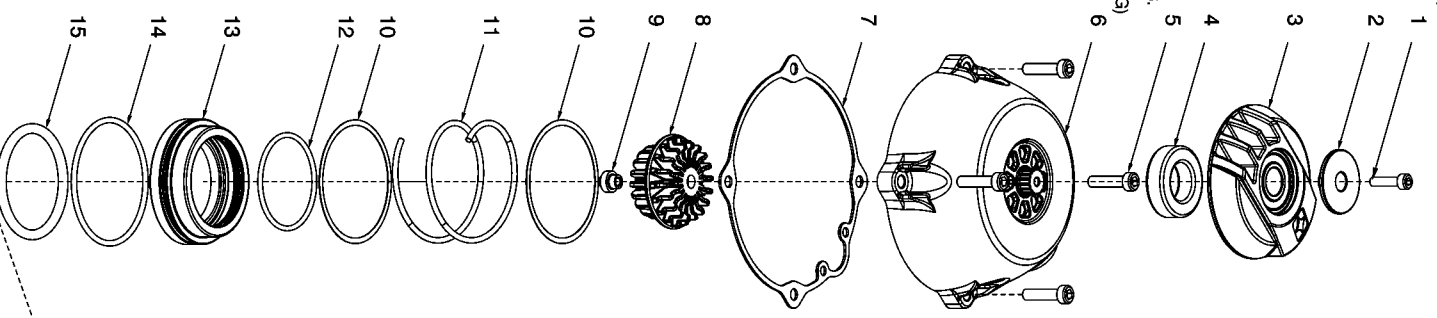


60-70 IN.-LBS.  
OF TORQUE  
(69-81 CM-KG)

125-140 IN.-LBS.  
OF TORQUE  
(144-161 CM-KG)  
4 PLACES



36-45 IN.-LBS.  
OF TORQUE  
(42-52 CM-KG)

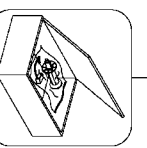
60-70 IN.-LBS.  
OF TORQUE  
(69-81 CM-KG)

11-18 IN.-LBS.  
OF TORQUE  
(13-21 CM-KG)

125-140 IN.-LBS.  
OF TORQUE  
(144-161 CM-KG)

60-70 IN.-LBS.  
OF TORQUE  
(69-81 CM-KG)  
3 PLACES

25-30 IN.-LBS.  
OF TORQUE  
(29-35 CM-KG)



876

## Parts List for FR350B Type 0

Item Number	Part Number	Description	Qty Required
1	MSC5080-20	SCREW-SOC HD. CAP M5	1
2	9R194942	EXHAUST COVER BUSH.	1
3	9R194985	EXHAUST DEFLECTOR	1
4	9R194943	MUFFLER	1
5	MSC6100-25	SCREW-SHCS-M6X1.00X2	4
6	9R195509	FRAME CAP	1
7	9R194986	GASKET	1
8	9R195500	HEAD VALVE SEAL	1
9	9R194940	FLANGE NUT	1
10	9R194952	HEAD VALVE PLATE	2
11	9R194954	HEAD VALVE SPRING	1
12	149828	O-RING-1.925X.103 XN	1
13	9R195501	HEAD VALVE	1
14	184449	O-RING	1
15	184450	O-RING	1
16	851606-S	O-RING-1.850X.210	1
17	9R194944	PISTON DRIVER ASSY.	1
18	9R194947	CYLINDER SLEEVE	1
19	89673	O-RING	1
20	105815	O-RING-2.359X.139	1
21	9R194948	CYLINDER SPACER	1
22	9R194953	O-RING	1
23	9R195526	BUMPER	1
24	9R194950	DRIVER GUIDE	1
25	184519	PIN-TRIGGER LOCK	1
26	9R195625	O-RING	2
27	184507	PIN-MODE SWITCH	1

## Parts List for FR350B Type 0

Item Number	Part Number	Description	Qty Required
28	188850	SPRING	1
29	9R195721	LABEL	2
30	182237	SCREW	1
31	9R194958	COVER	1
32	9R194960	COVER	1
33	9R194959	COVER	1
34	MSC8125-30	SCREW-SHCS M8X30	2
35	9R194988	NOSE	1
36	180475	PIN-SPRING-M3X20MM	2
37	9R195738	CONTACT ARM SPRING	1
38	9R195074	CONTACT ARM ASSY.	1
39	9R191793	CONTACT ARM FOOT	2
40	MHE6100-100	NUT-ESN M6X1	1
41	9R194937	FRAME OVERMOLD	1
42	9R194976	CONTACT ARM GUIDE	1
43	9R195767	TRIGGER SPRING	1
44	TVA15	TRIGGER VALVE	1
45	174345	PIN SPRING	1
46	9R195514	SPRING PIN	1
47	9R195082	TRIGGER ASSY.	1
48	184508	BUSHING	1
49	180484	SCREW-SET-M3X8MM	1
50	9R195079	BUTTON-MODE SWITCH	1
51	9R195078	BUTTON-TRIGGER LOCK	1
52	9R194989	GASKET (END CAP)	1
53	MRG049431	O-RING-2.343X.118	1
54	9R194977	HOOK	1

## Parts List for FR350B Type 0

Item Number	Part Number	Description	Qty Required
55	9R194990	SEAT PLATE-HOOK	1
56	9R195511	END CAP	1
57	9R195515	SOCKET HEAD CAP SCRE	3
58	184432	COVER	1
59	9R195624	QUICK CONNECT	1
60	9R194965	END CAP-MAGAZINE	1
61	MHE5080-100	NUT-NYLON M5X.80	1
62	9R194964	REAR PLATE	1
63	MSC5080-12	SCREW-SHCS-M5X0.8X12	1
64	9R195727	WARNING LABEL	1
65	9R195722	WARNING LABEL	1
66	MPW6.3	WASHER-PWN M6	1
67	MSC6100-16	SCREW-SHCS-M6X1.00X1	1
68	9R195448	SOCKET HEAD CAP SCRE	1
69	9R194992	SPACER	1
70	9R195000	RUBBER SPACER	1
71	9R195813	MAGAZINE	1
72	9R194966	STEEL CHANNEL	1
73	9R194993	PUSHER ASSEMBLY	1
876	FR350B/FC350BOKOVERHAUL KIT		1
876	FR350B-DK	DRIVER ASSEMBLY KIT	1