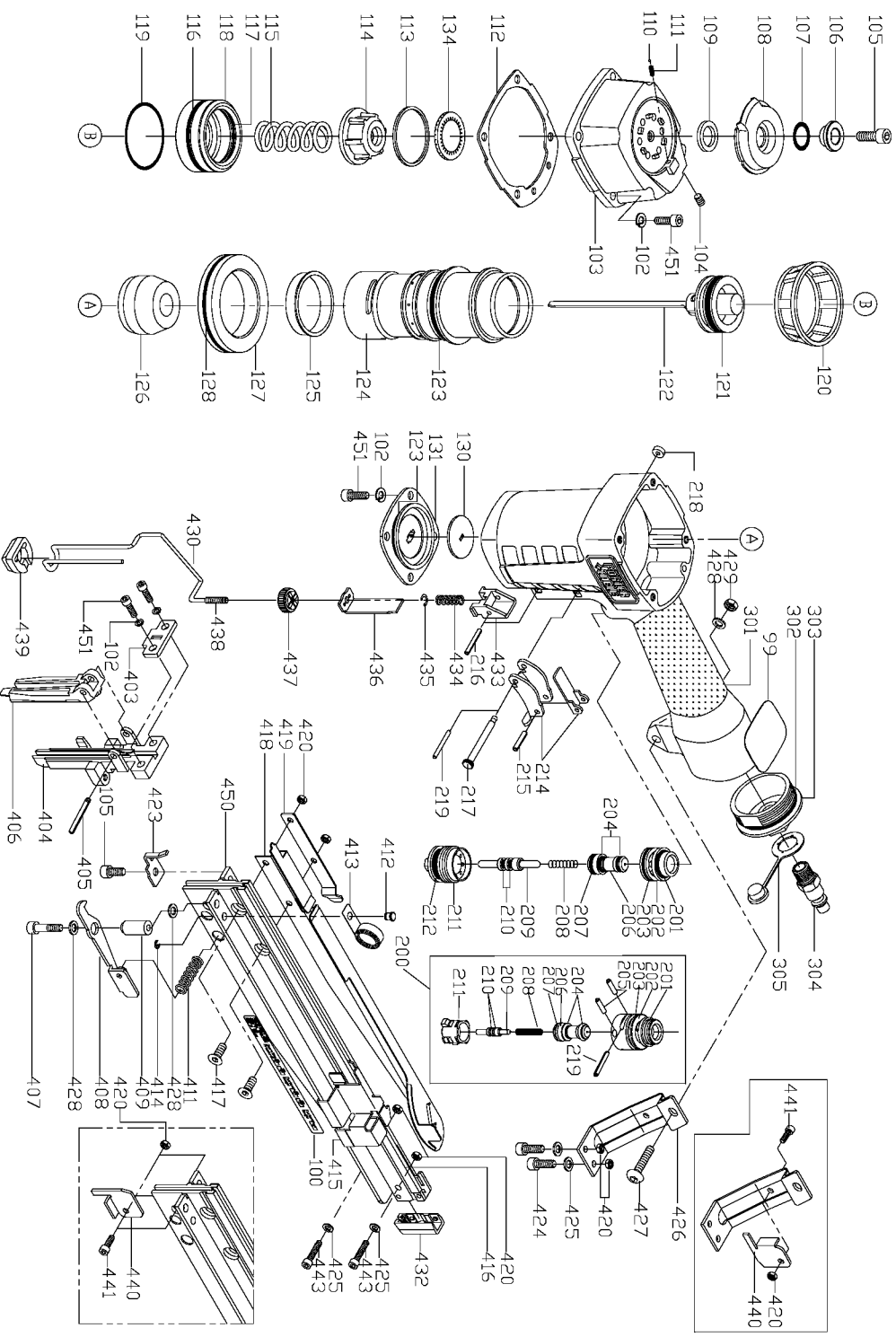


PORTER-CABLE FINISH NAILER

FN250A



Parts List for FN250A Type 1

Item Number	Part Number	Description	Qty Required
99	904673	WARNING LABEL	1
99	904673	WARNING LABEL	1
100	000000-00	No Longer Available	1
100	000000-00	No Longer Available	1
102	883827	SPRING WASHER	10
103	903143	CYLINDER CAP ASSY	1
103	903143	CYLINDER CAP ASSY	1
104	883912	SET SCREW	10
105	898306	BOLT	10
106	886186	WASHER	10
107	883849	O-RING	1
108	886112	DEFLECTOR	1
109	886188	RUBBER PAD	1
110	886101	BALL	1
111	886189	SPRING	10
112	886114	GASKET	1
113	886115	BRG WASHER	10
114	886113	PISTON STOP	1
115	886116	SPRING	10
116	886085	O-RING	10
117	886555	O-RING	10
118	892774	HD. VALVE PISTON	1
119	884585	O-RING	10
120	886118	CYLINDER PRESS RING	1
121	908890	O-RING	10
122	903767	DRIVER MAINT KIT	1
122	903767	DRIVER MAINT KIT	1

Parts List for FN250A Type 1

Item Number	Part Number	Description	Qty Required
123	886079	O-RING	10
124	891022	CYLINDER	1
125	886119	CHECK SEAL	1
126	886122	BUMPER	1
127	886121	CYLINDER SPACER	1
128	886098	O-RING	10
130	886123	DRIVER GUIDE	1
131	897480	BASE	1
134	000000-00	No Longer Available	1
134	000000-00	No Longer Available	1
200	A08368	SS/A TRIGGER VALVE K	1
201	883831	O-RING	10
201	897340	O-RING	10
202	883934	BREATHER VALVE	1
202	897342	CAP	1
203	883935	O-RING	10
203	897341	O-RING	10
204	883936	O-RING	10
205	897374	PIN (3X12)	1
206	883937	TRIGGER VALVE	1
207	883938	O-RING	10
208	883939	PLUNGER SPRING	1
209	883940	PLUNGER	1
209	897346	PLUNGER	1
210	883848	O-RING	10
211	883941	TRIGGER CAP	1
211	897347	VALVE	1

Parts List for FN250A Type 1

Item Number	Part Number	Description	Qty Required
212	883942	O-RING	10
214	5140030-10	RESTRICTIVE TRIGGER	1
214	5140030-09	BOTTOM FIRE TRIGGER	1
214	893930	BOTTOM FIRE TRIGGER	1
214	893077	RESTRICTIVE TRIGGER	1
215	883945	ROLLED PIN	1
216	884404	ROLLED PIN	1
217	884404	ROLLED PIN	1
217	890722	TRIGGER PIVOT PIN	1
218	890725	URETHANE RETAINER	1
219	898323	PIN	1
301	901386	HOUSING	1
301	901386	HOUSING	1
302	886099	O-RING	10
303	886124	END CAP	1
304	883859	MALE QUICK COUPLER	1
305	884443	PROTECTIVE COVER	1
403	886542	GUIDE COVER B	1
404	907270	GUIDE PLATE	1
405	886075	ROLLED PIN	1
406	886618	GUIDE COVER A	1
407	886256	BOLT	10
408	888792	LATCH UNIT	1
409	886136	MAGAZINE SPACER	1
411	886140	LOCK SPRING	10
411	888794	LOCK SPRING	10
412	886543	SPRING FASTNER	10

Parts List for FN250A Type 1

Item Number	Part Number	Description	Qty Required
413	886109	SPRING	10
414	886069	E-RING	1
415	893809	PUSHER	1
416	886135	CHANNEL	1
417	886261	BOLT	10
418	893810	MAGAZINE COVER	1
419	886126	SPRING	10
420	883882	LOCK NUT	10
423	886447	DRIVER GUIDE SAFETY	1
424	883898	BOLT	10
424	883866	BOLT	10
425	883867	SPRING WASHER	10
426	893811	BRACKET	1
427	886259	BOLT	10
428	883971	WASHER-FLAT	10
429	883970	NUT-LOCK	10
430	000000-00	No Longer Available	1
432	888919	END PLATE	1
433	5140030-57	SAFETY GUIDE	1
434	887969	SAFETY SPRING	1
435	886218	RING	10
436	886128	SAFETY	1
437	886561	THUMB WHEEL	1
438	000000-00	No Longer Available	1
439	886137	NOSE CUSHION	1
440	886139	NAIL GUIDE	1
441	884592	BOLT	10

Parts List for FN250A Type 1

Item Number	Part Number	Description	Qty Required
443	883864	BOLT	10
450	893812	MAGAZINE ASSY.	1
450	898283	DRIVER GDE/MAG. ASSY	1
451	884541	SCREW	10
451	894745	BOLT	10
455	884298	HEX WRENCH (4MM)	1
455	884297	HEX WRENCH (3MM)	1
455	891903	HEX WRENCH 2.5MM	1
800	884293	AIR TOOL OIL (18CC)	1
836	903789	OVERHAUL KIT	1
836	903789	OVERHAUL KIT	1
856	893579	SAFETY GLASSES	1
861	000000-00	No Longer Available	1
861	000000-00	No Longer Available	1
861	887712	LATCH CARRYING CASE	1