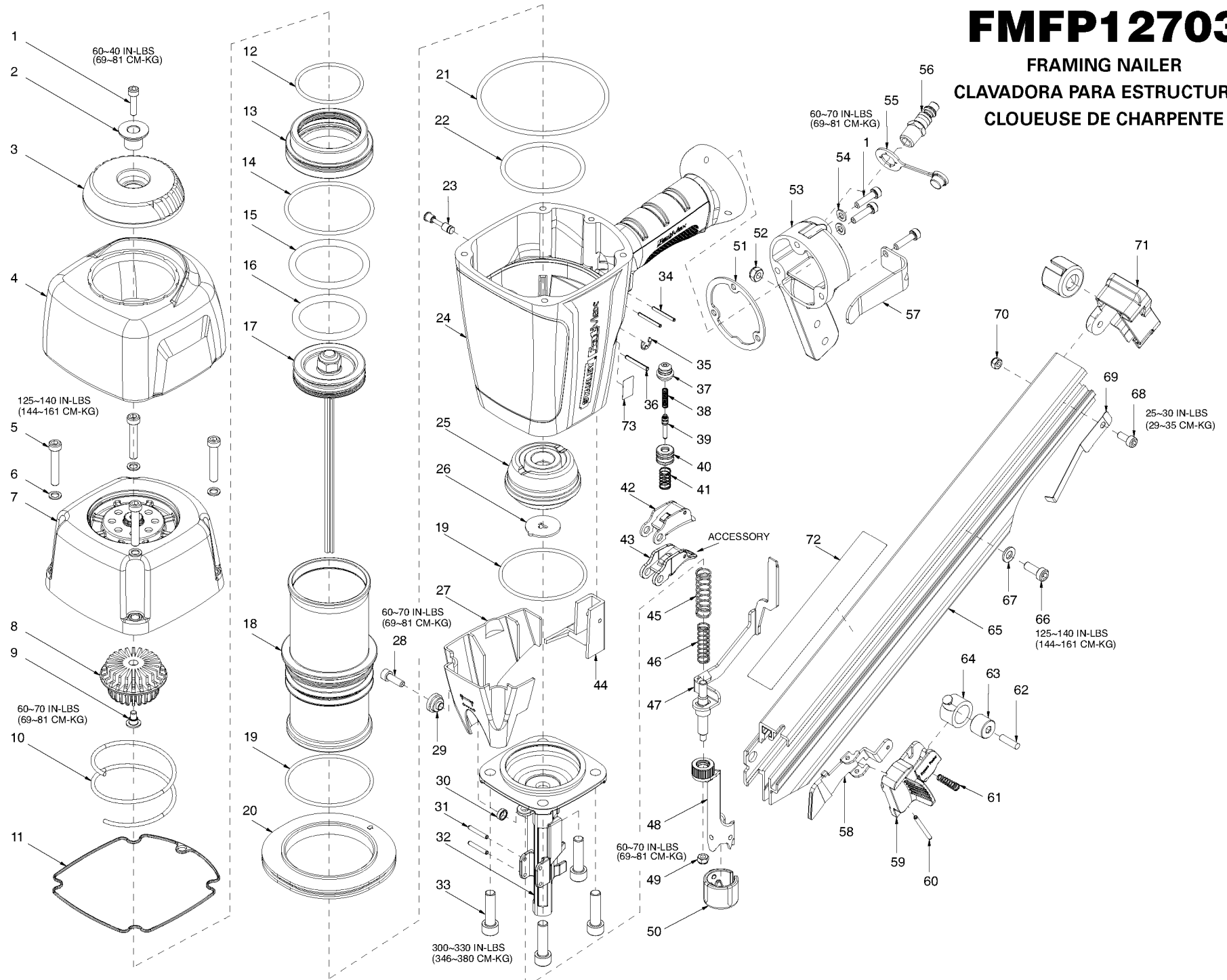


# FMFP12703

FRAMING NAILER  
CLAVADORA PARA ESTRUCTURAS  
CLOUEUSE DE CHARPENTE



## Parts List for FMFP12703 Type 0

Item Number	Part Number	Description	Qty Required
1	N494651	SOC HD CAP M5 X20	4
2	000000-00	No Longer Available	1
3	9R202077	EXHAUST DEFLECTOR	1
4	000000-00	No Longer Available	1
5	173767	SCREW, SHCS	4
6	180449	WASHER FLAT	4
7	000000-00	No Longer Available	1
8	000000-00	No Longer Available	1
9	9R199455	SHOULDER SCREW	1
10	000000-00	No Longer Available	1
11	9R202074	FRAME/CAP GASKET	1
12	850605	O-RING-1.925X.103-NB	1
13	000000-00	No Longer Available	1
14	184449	O-RING	1
15	184450	O-RING	1
16	000000-00	No Longer Available	1
17	000000-00	No Longer Available	1
18	000000-00	No Longer Available	1
19	89673	O-RING	2
20	000000-00	No Longer Available	1
21	000000-00	No Longer Available	1
22	105815	O-RING-2.359X.139	1
23	000000-00	No Longer Available	1
24	000000-00	No Longer Available	1
25	9R202101	BUMPER	1
26	9R202104	DRIVER GUIDE	1
27	000000-00	No Longer Available	1

## Parts List for FMFP12703 Type 0

Item Number	Part Number	Description	Qty Required
28	9R217764	SHCS, M5X0.80X16	1
29	000000-00	No Longer Available	1
30	000000-00	No Longer Available	1
31	180475	PIN-SPRING-M3X20MM	2
32	000000-00	No Longer Available	1
33	MSC8125-30	SCREW-SHCS M8X30	4
34	000000-00	No Longer Available	2
35	000000-00	No Longer Available	1
36	195514	SPRING PIN	1
37	000000-00	No Longer Available	1
38	000000-00	No Longer Available	1
39	000000-00	No Longer Available	1
40	000000-00	No Longer Available	1
41	000000-00	No Longer Available	1
42	000000-00	No Longer Available	1
43	9R202115	C.T. TRIGGER ASSEM.	1
44	000000-00	No Longer Available	1
45	000000-00	No Longer Available	1
46	000000-00	No Longer Available	1
47	000000-00	No Longer Available	1
48	000000-00	No Longer Available	1
49	000000-00	No Longer Available	1
50	000000-00	No Longer Available	1
51	000000-00	No Longer Available	1
52	MHE6100-100	NUT-ESN M6X1	1
53	000000-00	No Longer Available	1
54	180569	WASHER-PLAIN-D5X10X1	2

## Parts List for FMFP12703 Type 0

Item Number	Part Number	Description	Qty Required
55	184432	COVER	1
56	9R195624	QUICK CONNECT	1
57	000000-00	No Longer Available	1
58	000000-00	No Longer Available	1
59	000000-00	No Longer Available	1
60	000000-00	No Longer Available	1
61	000000-00	No Longer Available	1
62	000000-00	No Longer Available	1
63	000000-00	No Longer Available	1
64	000000-00	No Longer Available	1
65	000000-00	No Longer Available	1
66	MSC6100-16	SCREW-SHCS-M6X1.00X1	1
67	MPW6.3	WASHER-PWN M6	1
68	MSC5080-12	SCREW-SHCS-M5X0.8X12	1
69	000000-00	No Longer Available	1
70	MHE5080-100	NUT-NYLON M5X.80	1
71	000000-00	No Longer Available	1
72	000000-00	No Longer Available	1
73	000000-00	No Longer Available	1